

Right Angle Lighted SMT Tact Switch



Features

- Gold plated dome contact SPST/SPDT
- Excellent ergonomics
- High bright leds
- Reduced space usage on board
- 40 N overload
- Tape and reel
- RoHS compliant and compatible

Typical Applications

- When backlighting and switch are required to be a "2 in 1" component
- The dome contact secures a superior contact reliability in time
- The ergonomics of K5V provides a long travel, a sharp tactile feel and an audible click
- Server, storage, automotive, network infrastructure, medical

Specification

FUNCTION: momentary action
 CONTACT ARRANGEMENT: Normally Open + Normally Closed
 TERMINALS: SMT with positioning pegs

Mechanical

Type	Operating force FA ¹ Newtons (grams)	Operating life (operations)	Travel (total travel) mm(mm)
K5V1CL43G	4.0 (400)	25,000	1.2 (2.4)

¹ Tolerances of operating force FA is ± 25%.

Packaging

330 pieces per reel
 Reel ø 360mm

Electrical

POWER MIN/MAX: 0.02VA / 1.0VA
 VOLTAGE MIN/MAX: 20mVdc – 32 Vdc
 CURRENT MIN/MAX: 0.1mA – 100mA
 CONTACT RESISTANCE: <150m Ω
 INSULATION RESISTANCE: >1G Ω initial, >10M Ω after damp heat
 BOUNCE TIME: <5ms

Environmental

OPERATING TEMPERATURE: -40°C to 85°C
 STORAGE TEMPERATURE: -50°C to 85°C
 RELATIVE HUMIDITY: 90 to 96% according to NF EN 60068-2-30
 PROTECTION: dust protection and flux tight
 OVERLOAD: 40N min

Process

SOLDERING: Compatible with the lead free soldering profile.
 No washing

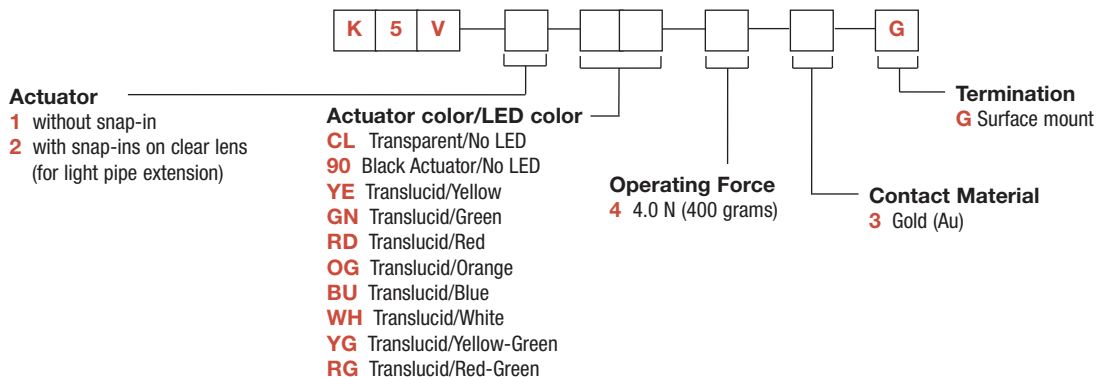
Materials

LEAD FREE
 CONTACTS: Au over Ni
 SOLDERING: Au over Ni
 HOUSING: Thermoplastic UL94 HB

B Tactile Switches

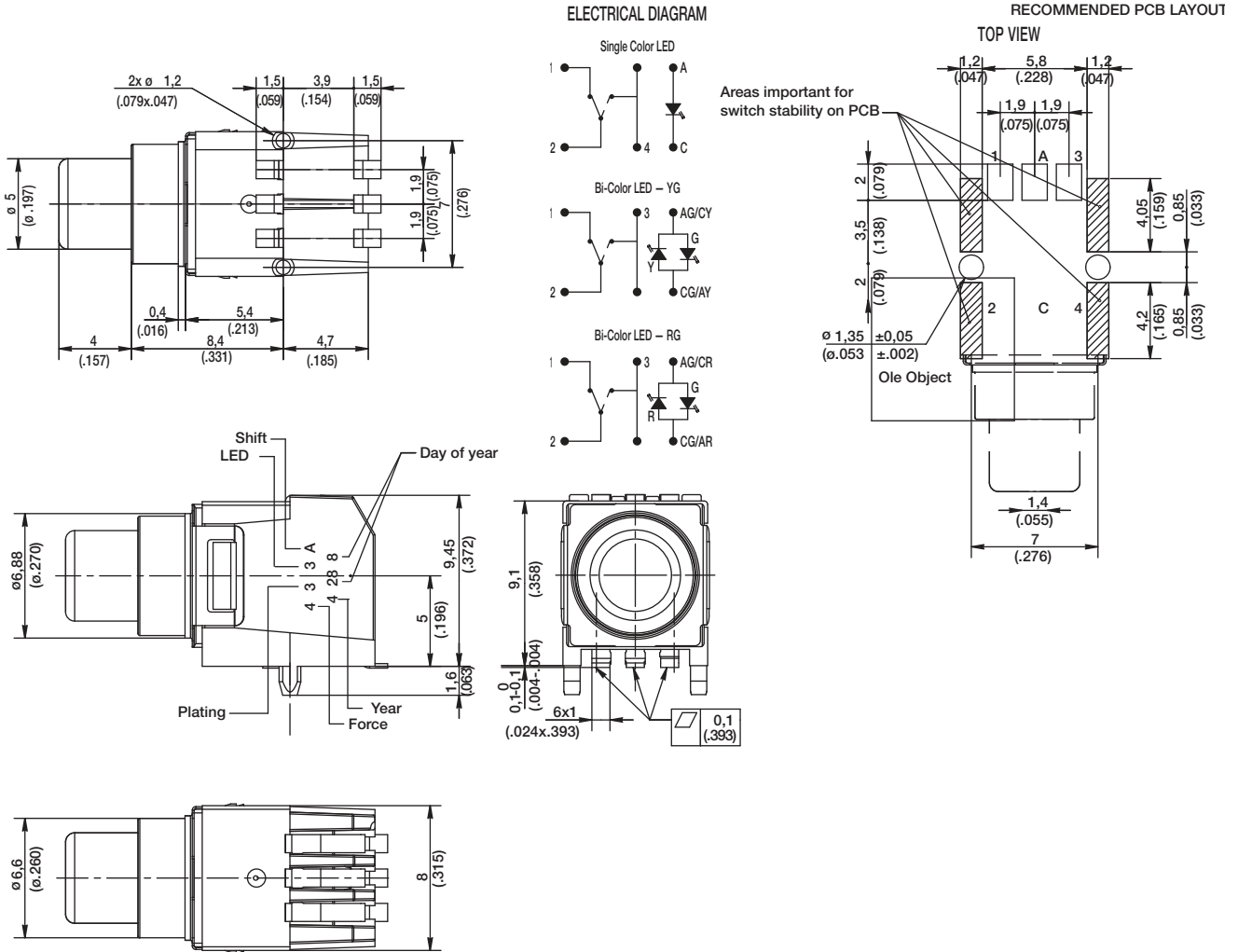
How To Order

Our easy build-a-switch concept allows you to mix and match options to create the switch you need. To order, select desired option from each category and place it in the appropriate box.

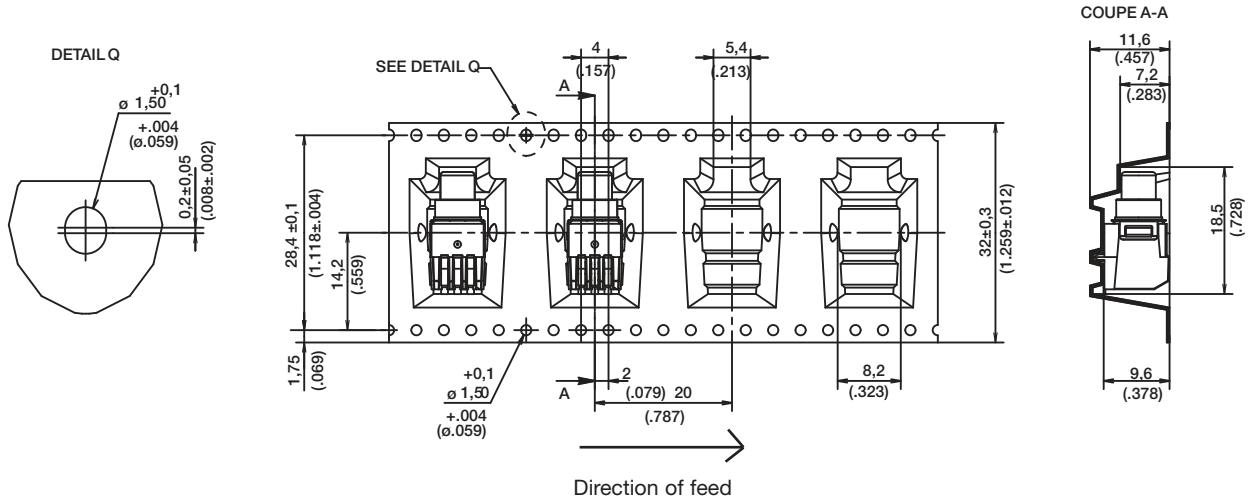


K5V Right Angle Lighted SMT Tact Switch

K5V SMT



TAPE & REEL



Right Angle Lighted THT Tact Switch



Features

- Gold plated dome contact SPST/SPDT
- Excellent ergonomics
- High bright LEDs
- Reduced space usage on board
- 40 N overload
- RoHS compliant and compatible

Typical Applications

- When backlighting and switch are required to be a "2 in 1" component
- The dome contact secures a superior contact reliability in time
- The ergonomics of K5V provides a long travel, a sharp tactile feel and an audible click
- Server, storage, automotive, network infrastructure, medical

Specification

FUNCTION: momentary action
 CONTACT ARRANGEMENT: Normally Open + Normally Closed
 TERMINALS: Through hole terminals with positioning pegs.
 Terminals keying in option

Mechanical

Type	Operating force FA ¹ Newtons (grams)	Operating life (operations)	Travel (total travel) mm(mm)
K5V1CL43T	4.0 (400)	25,000	1.2 (2.4)

¹Tolerances of operating force FA is ± 25%.

Packaging

60 pieces per tray
 300 pieces per box

Electrical

POWER MIN/MAX: 0.02VA / 1.0VA
 VOLTAGE MIN/MAX: 20mVdc – 32 Vdc
 CURRENT MIN/MAX: 0.1mA – 100mA
 CONTACT RESISTANCE: <150m Ω
 INSULATION RESISTANCE: >1G Ω initial, >10M Ω after damp heat
 BOUNCE TIME: <5ms

Environmental

OPERATING TEMPERATURE: -40°C to 85°C
 STORAGE TEMPERATURE: -50°C to 85°C
 RELATIVE HUMIDITY: 90 to 96% according to NF EN 60068-2-30
 PROTECTION: dust protection and flux tight
 OVERLOAD: 40N min

Process

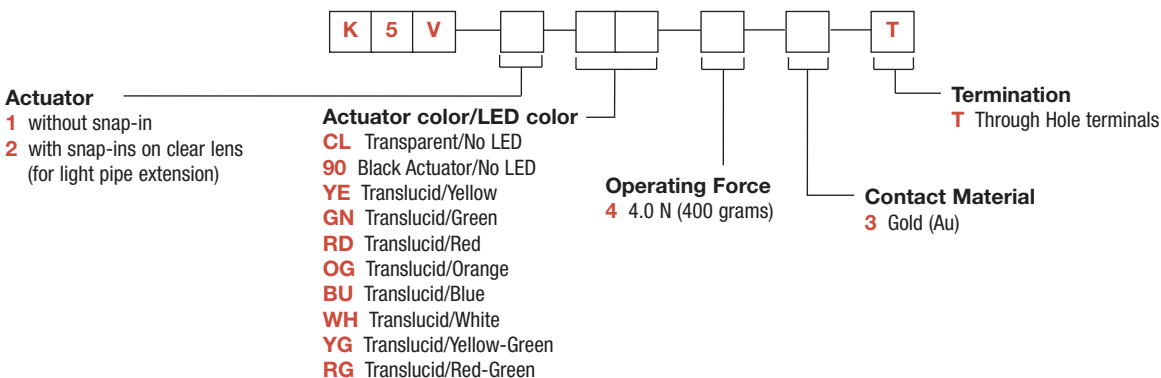
SOLDERING: Compatible with the lead free soldering profile.

Materials

LEAD FREE
 CONTACTS: Au over Ni
 SOLDERING: Au over Ni
 HOUSING: Thermoplastic UL94 HB

How To Order

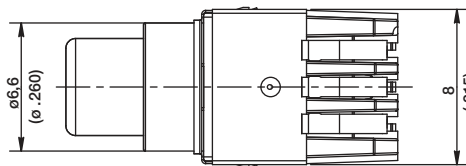
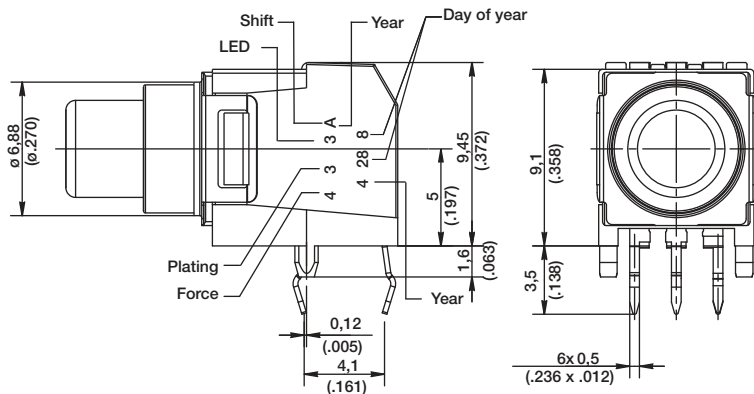
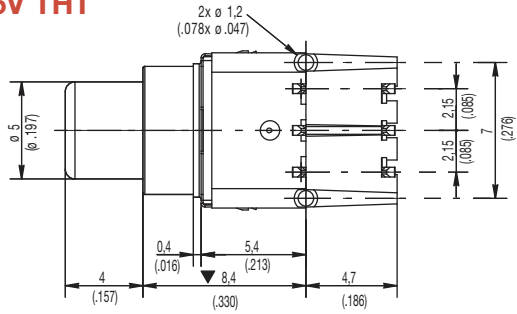
Our easy build-a-switch concept allows you to mix and match options to create the switch you need. To order, select desired option from each category and place it in the appropriate box.



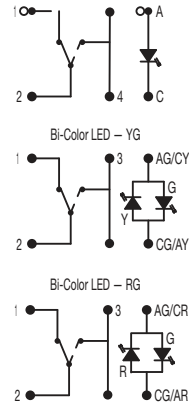
K5V Right Angle Lighted THT Tact Switch

Tactile Switches

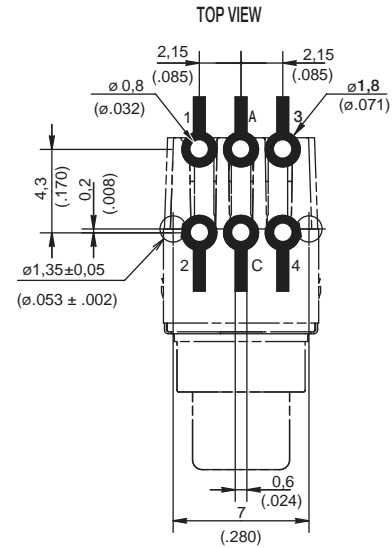
K5V THT



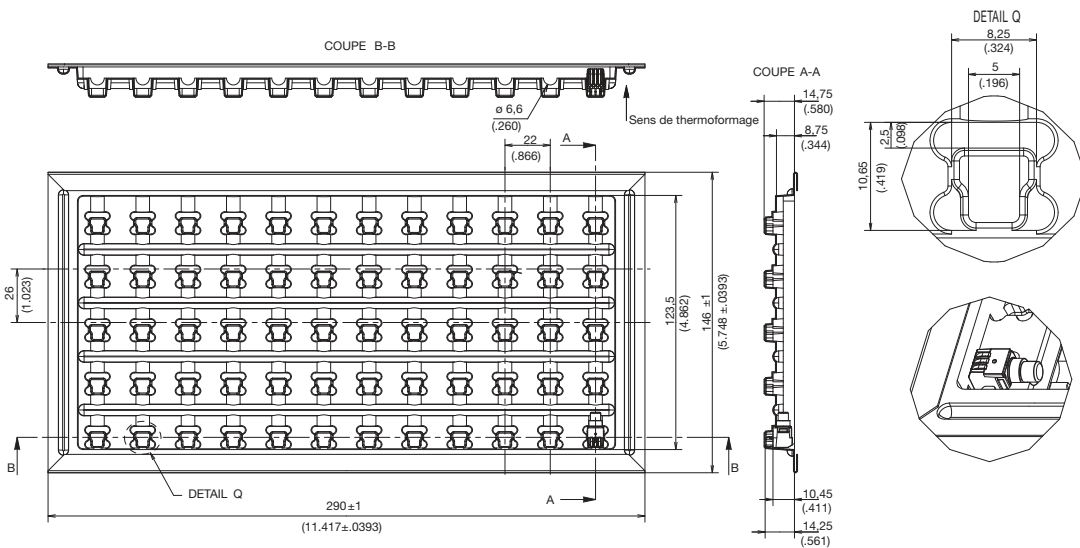
ELECTRICAL DIAGRAM



RECOMMENDED PCB LAYOUT (WITH HOLES)



TRAY



Dimensions shown in: mm (inch)
Specifications and dimensions subject to change

www.ck-components.com

K5V Panel Mount Lighted Tact Switch

Features

- Gold plated dome contact SPST/SPDT
- Excellent ergonomics
- High bright leds
- Reduced space usage on panel
- 40 N overload
- RoHS compliant

Typical Applications

- When backlighting and switch are required to be a "2 in 1" component
- The dome contact secures a superior contact reliability in time
- The ergonomics of K5V provides a long travel, a sharp tactile feel and an audible click
- Server, storage, automotive, network infrastructure, medical



Specification

FUNCTION: momentary action
 CONTACT ARRANGEMENT: Normally Open + Normally Closed
 BACKLIGHTING: high bright LED, independent terminals
 TERMINALS: Solder terminals with wire holes 1.3 x 0.6mm

Mechanical

Type	Operating force FA ¹ Newtons (grams)	Operating life (operations)	Travel (total travel) mm(mm)
K5V1CL43P	4.0 (400)	25,000	1.2 (2.4)

¹ Tolerances of operating force FA is ± 25%.

Packaging

60 pieces per tray
 300 pieces per box

Electrical

POWER MIN/MAX: 0.02VA / 1.0VA
 VOLTAGE MIN/MAX: 20mVdc – 32 Vdc
 CURRENT MIN/MAX: 0.1mA – 100mA
 CONTACT RESISTANCE: <150m Ω
 INSULATION RESISTANCE: >1GΩ initial, >10M Ω after damp heat
 BOUNCE TIME: <5ms

Environmental

OPERATING TEMPERATURE: -40°C to 85°C
 STORAGE TEMPERATURE: -50°C to 85°C
 RELATIVE HUMIDITY: 90 to 96% according to NF EN 60068-2-30
 PROTECTION: dust protection and flux tight
 OVERLOAD: 40N min

Process

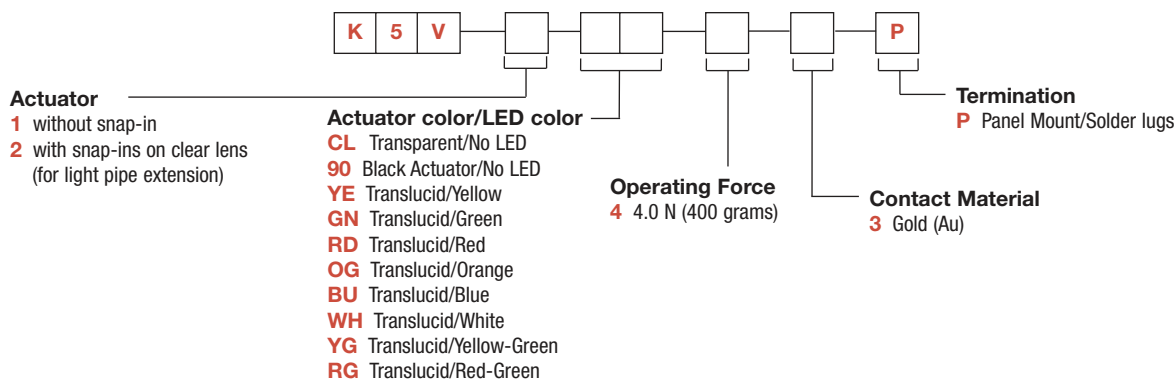
SOLDERING: Low wattage soldering iron (25-50 watts max).
 Solder time 3 seconds max. No washing.

Materials

LEAD FREE
 CONTACTS: Au over Ni
 SOLDERING: Au over Ni
 HOUSING: Thermoplastic UL94 HB

How To Order

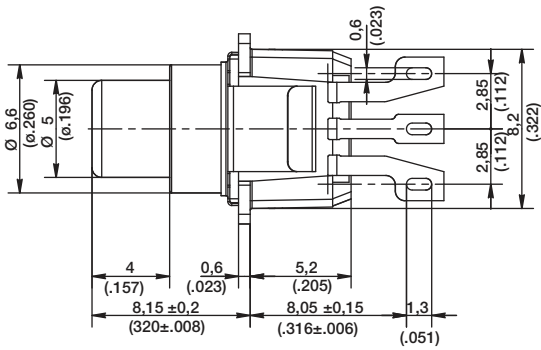
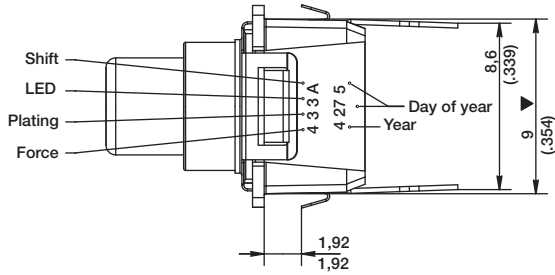
Our easy build-a-switch concept allows you to mix and match options to create the switch you need. To order, select desired option from each category and place it in the appropriate box.



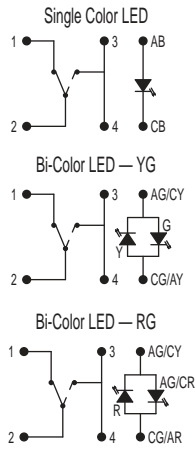
K5V Panel Mount Lighted Tact Switch

K5V PM

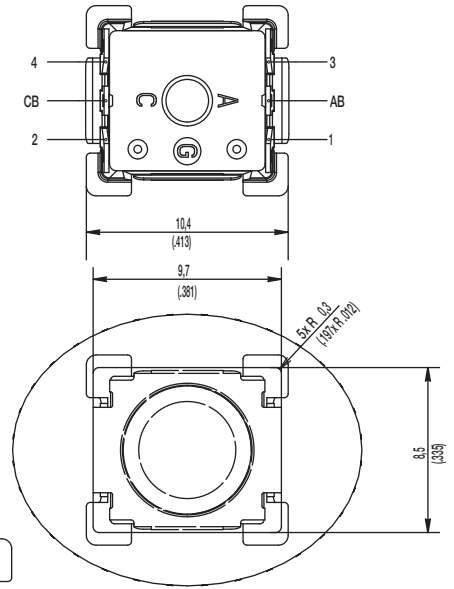
PRODUCT IDENTIFICATION AND DATE CODES



ELECTRICAL DIAGRAM

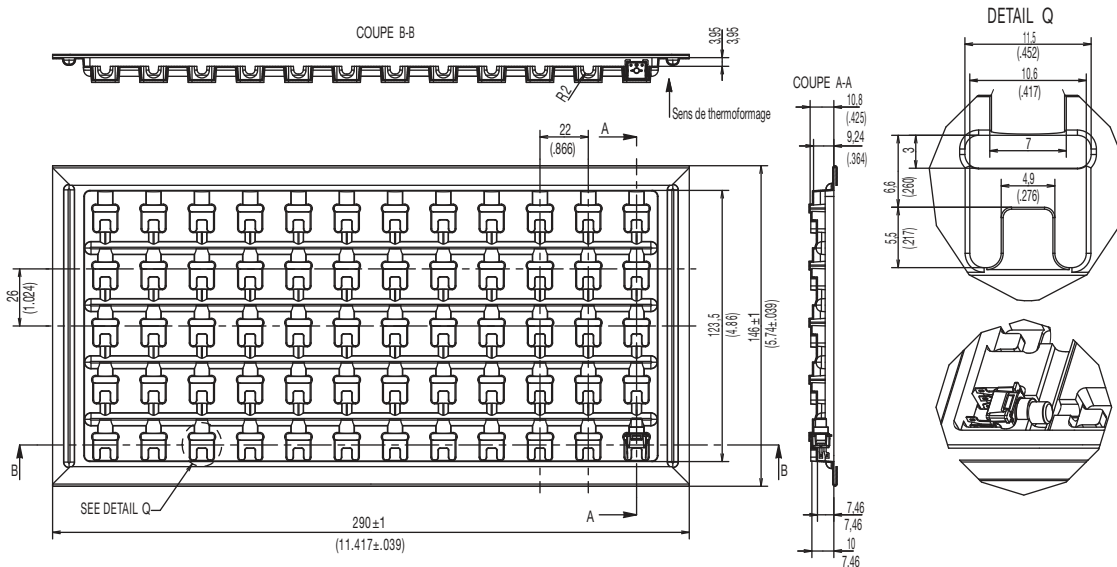


TERMINAL REFERENCES



TRAY

SUITABLE FOR PANEL THICKNESS OF 1.8MM MAX



Dimensions shown in: mm (inch)
Specifications and dimensions subject to change

www.ck-components.com

Tactile Switches

B