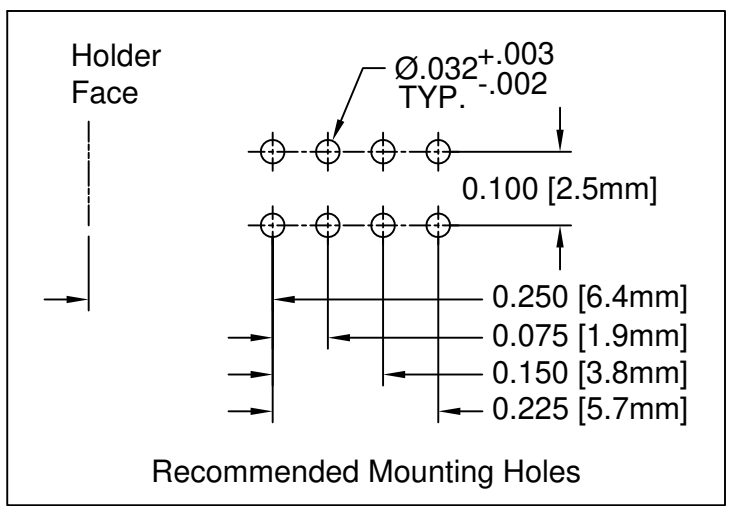
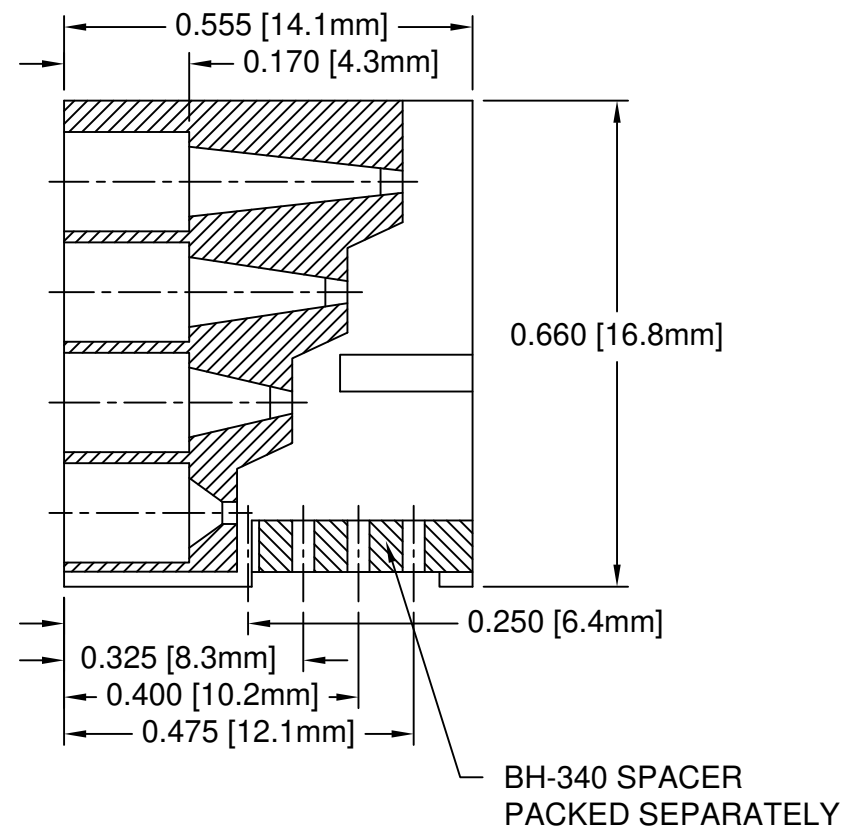
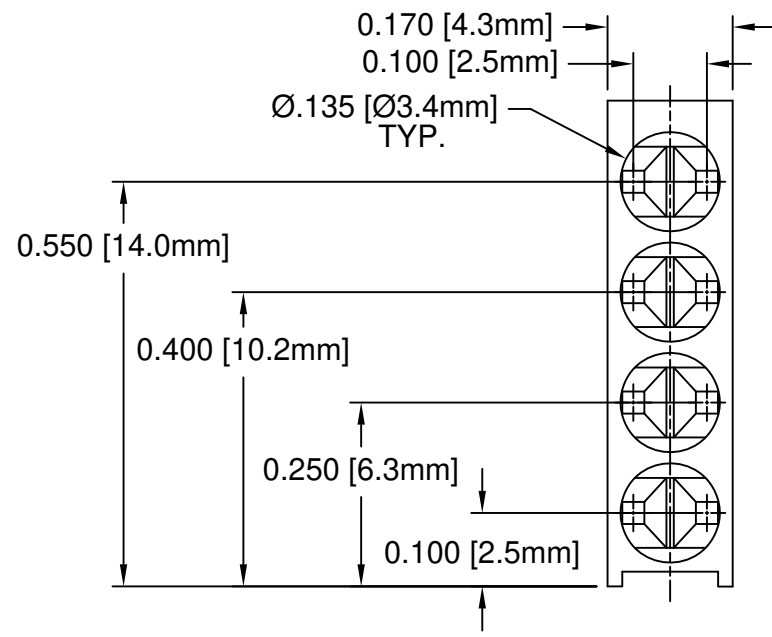

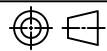


| REV. | DESCRIPTION | DATE | APPROVED |
|------|---|----------|----------|
| C | Changed Section View from Left Holes to Right Holes. Changed bottom holes from .030 SQ. to .020X.030. | 01/20/05 | M. C. |
| D | Removed BH-340 Dimensions | 08/16/07 | M. C. |
| E | Removed Material Code | 05/28/16 | J. C. |



- 2. MATERIAL: NYLON 6/6, 94V-0, BLACK.
- 1. GENERAL SPECIFICATIONS: BIVAR MOLDED COMPONENT SPECIFICATION BV00-E101.

| | | | |
|--|----------------|---|---|
| STANDARD TOLERANCE (UNLESS OTHERWISE SPECIFIED) | |  4 THOMAS, IRVINE, CA. 92618 TEL: (949) 951-8808 FAX: (949) 951-3974 | |
| DECIMALS | ANGULAR | | |
| .X ± .1 | X° ± 1° |  | TITLE: QUAD-LEVEL T-1 (3mm) LED HOLDER TWO-PIECE |
| .XX ± .01 | | | PART NO: H-455C |
| .XXX ± .005 | | | REVISION: E |
| DESIGNED: S. Irving | DATE: 06/24/02 | CAGE CODE : 32559 | SHEET # 1 OF 1 |
| CHECKED: M. Chen | DATE: 06/25/02 | CAD GENERATED DOCUMENT. DO NOT MEASURE DRAWING. | |