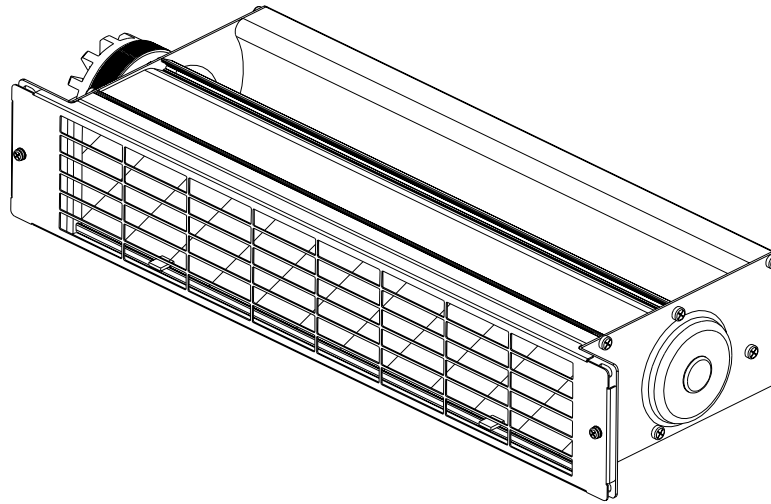


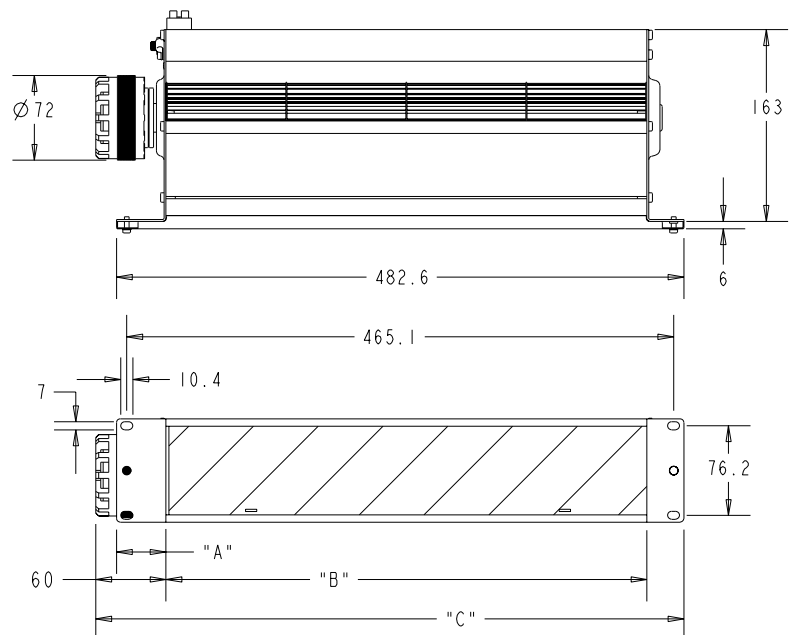
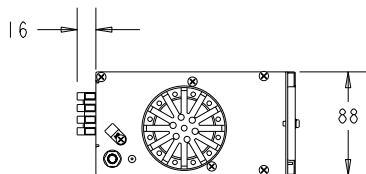
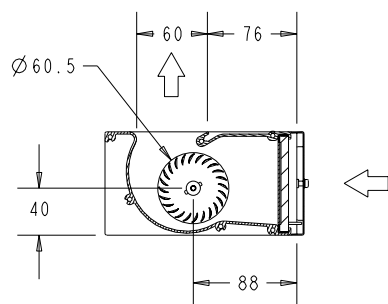
FE1Q-xxx-060-xx Series Crossflow Blower

380 - 409mm x \varnothing 60mm Impeller



NOTE: FE1Q-115-060-01 SHOWN

PART NUMBER	VOLTAGE	A	B	C	GRILL AND FILTER STATUS
FE1Q-115-060-01	115v	42	409	500	WITH GRILL AND FILTER INSTALLED
FE1Q-115-060-02	115v	77	380	471	WITH GRILL AND FILTER INSTALLED
FE1Q-115-060-03	115v	77	380	471	GRILL AND FILTER INCLUDED BUT NOT INSTALLED
FE1Q-230-060-01	230v	42	409	500	FILTER INSTALLED, GRILL NOT INCLUDED
FE1Q-230-060-02	230v	42	409	500	WITH GRILL AND FILTER INSTALLED
FE1Q-230-060-03	230v	77	380	471	GRILL AND FILTER NOT INCLUDED
FE1Q-230-060-04	230v	77	380	471	WITH GRILL AND FILTER INSTALLED
FE1Q-230-060-05	230v	77	380	471	GRILL AND FILTER INCLUDED BUT NOT INSTALLED
FE1Q-024-060-01	24v	77	380	471	WITH GRILL AND FILTER INSTALLED
ACCESSORIES					
HX0F-000-060-01	-	-	-	-	GRILL & FASTENERS FOR 380mm LENGTH CROSSFLOW BLOWER
HX0F-000-060-02	-	-	-	-	GRILL & FASTENERS FOR 409mm LENGTH CROSSFLOW BLOWER



NOTE: FRONT GRILL REMOVED IN THIS VIEW FOR CLARITY, ALL DIMENSIONS ARE FOR REFERENCE ONLY.