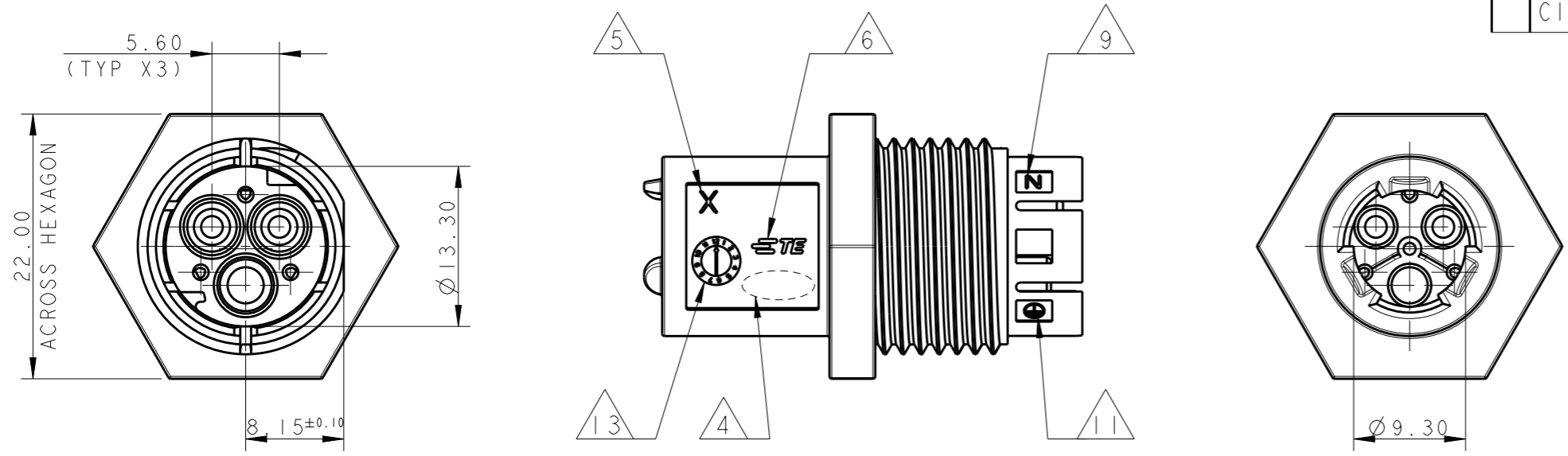
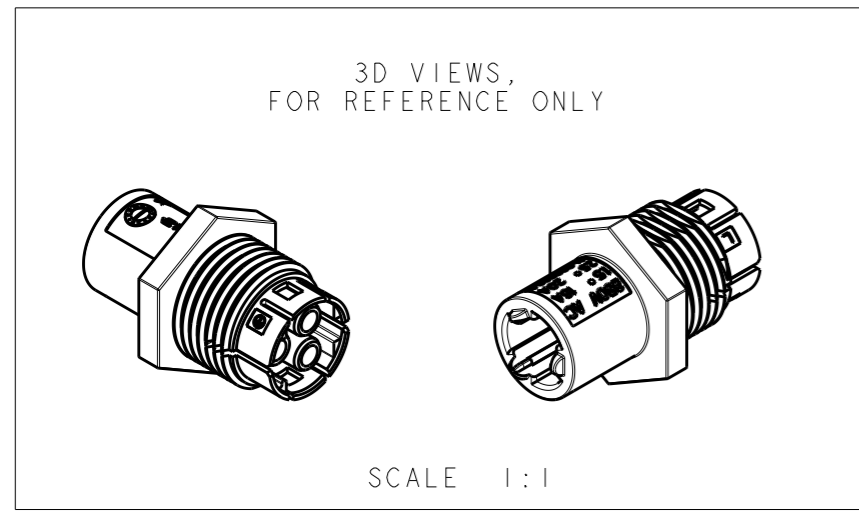
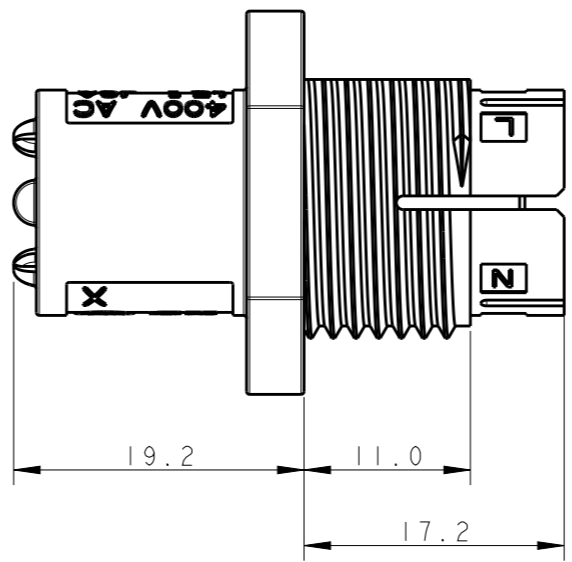
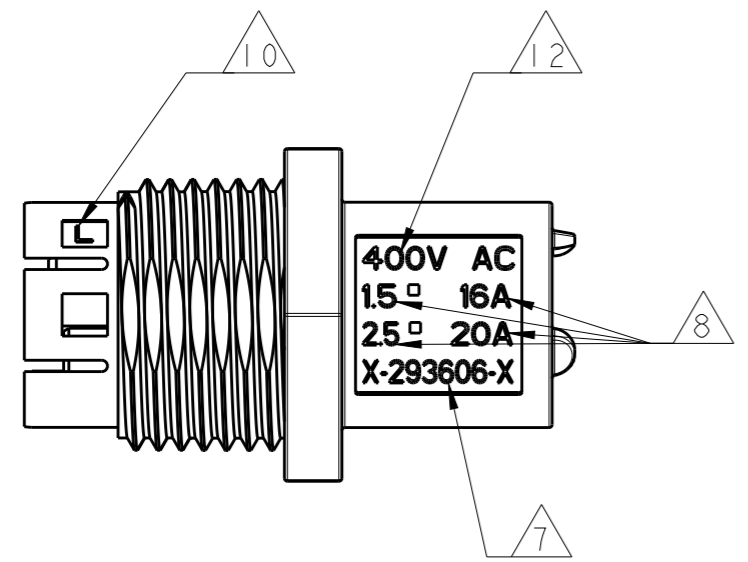


THIS DRAWING IS UNPUBLISHED. RELEASED FOR PUBLICATION 2011  
 © COPYRIGHT 2011 BY - ALL RIGHTS RESERVED.

LOC	DIST	REVISIONS			
P	LTR	DESCRIPTION	DATE	DWN	APVD
B2		PARTS -2, -3, 1-2, 1-3	26JUN2013	KR	JC
B3		ECR-15-010109	21JUL2015	RS	PO
C		REVISED PART NUMBERS AND ALIGNED REVISIONS	17JUL2017	SK	MZ
C1		REVISED PER ECR-18-006945	20SEP2018	SR	MZ



- NOTES:
- 1 MATERIAL: POLYAMIDE GLASS FILLED COLOUR NATURAL
  - 2 MATERIAL: POLYAMIDE GLASS FILLED COLOUR BLACK
  - 3) PACKAGING: SEE TE PACKAGING SPEC. 107-20294
  - 4 AREA FOR AGENCY APPROVAL LOGO
  - 5 CAVITY MOULD I.D. & MANUFACTURING LOCATION CODE
  - 6 TE LOGO
  - 7 TE PART NUMBER
  - 8 CONDUCTOR SIZE AND CURRENT RATING
  - 9 N CODE
  - 10 L CODE
  - 11 PE CODE
  - 12 RATED VOLTAGE
  - 13 DATE CODE



THIS DRAWING IS A CONTROLLED DOCUMENT.		DWN M. ZUCCA 06SEP2010	TE Connectivity	
DIMENSIONS: mm		CHK M. ZUCCA 06SEP2010		
TOLERANCES UNLESS OTHERWISE SPECIFIED:		APVD G. TURCO 06SEP2010	NAME SOCKET HOUSING PANEL MOUNT VERSION NECTOR* M-LINE	
0 PLC ±-		PRODUCT SPEC 108-20304	SIZE	
1 PLC ±0.3		APPLICATION SPEC 114-20152	CAGE CODE	
2 PLC ±0.20		WEIGHT ~5.9 g	DRAWING NO A300779	
3 PLC ±-		Customer Drawing	RESTRICTED TO	
4 PLC ±-			SCALE 2:1	
ANGLES ±3°		SHEET 1 OF 4		
FINISH -		REV C1		

THIS DRAWING IS UNPUBLISHED.

RELEASED FOR PUBLICATION

2011

© COPYRIGHT 2011 BY -

ALL RIGHTS RESERVED.

LOC	DIST	REVISIONS					
		P	LTR	DESCRIPTION	DATE	DWN	APVD
1	-	-	-	SEE SHEET 1	-	-	-

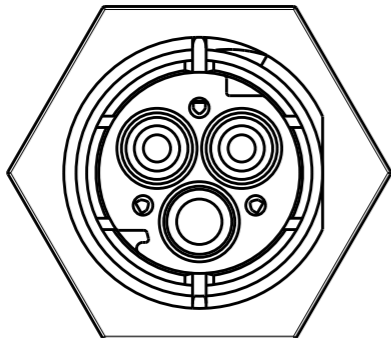
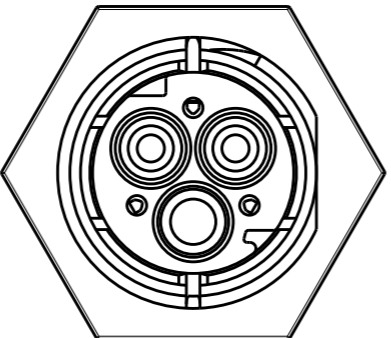
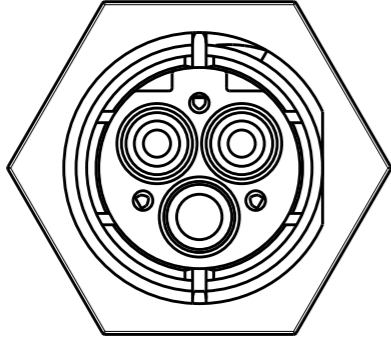
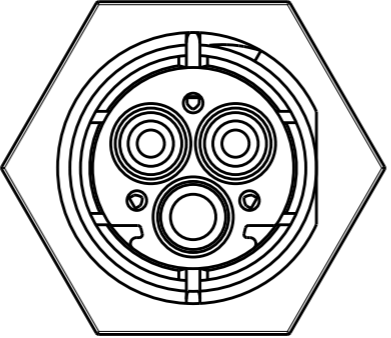

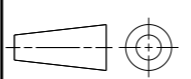
POLARIZATION TYPES	
TYPE "A"	TYPE "B"
	
P/Ns: 0-293606-1, 1-293606-1	P/Ns: 0-293606-2, 1-293606-2
TYPE "C"	TYPE "D"
	
P/Ns: 0-293606-3, 1-293606-3	P/Ns: <del>0-293606-4,</del> <del>1-293606-4,</del>

TABLE I					
MATERIAL	POL. KEYING	COLOUR	DESCRIPTION	REV.	PART NUMBER
OBSOLETE	2	D	BLACK	A	1-293606-4
	2	C	BLACK	C	1-293606-3
	2	B	BLACK	C	1-293606-2
	2	A	BLACK	C	1-293606-1
OBSOLETE	1	D	NATURAL	A	0-293606-4
	1	C	NATURAL	C	0-293606-3
	1	B	NATURAL	C	0-293606-2
	1	A	NATURAL	C	0-293606-1

THIS DRAWING IS A CONTROLLED DOCUMENT.		DWN M. ZUCCA 06SEP2010	 TE Connectivity		
DIMENSIONS: mm		CHK M. ZUCCA 06SEP2010			
TOLERANCES UNLESS OTHERWISE SPECIFIED:		APVD G. TURCO 06SEP2010	NAME SOCKET HOUSING PANEL MOUNT VERSION NECTOR* M-LINE		
		PRODUCT SPEC 108-20304	RESTRICTED TO		
MATERIAL SEE NOTES		APPLICATION SPEC 114-20152	SIZE A3	CAGE CODE 00779	DRAWING NO C-293606
FINISH -		WEIGHT ~5.9 g	SCALE 2:1		
		Customer Drawing	SHEET 2 OF 4		
			REV C1		

THIS DRAWING IS UNPUBLISHED.

RELEASED FOR PUBLICATION

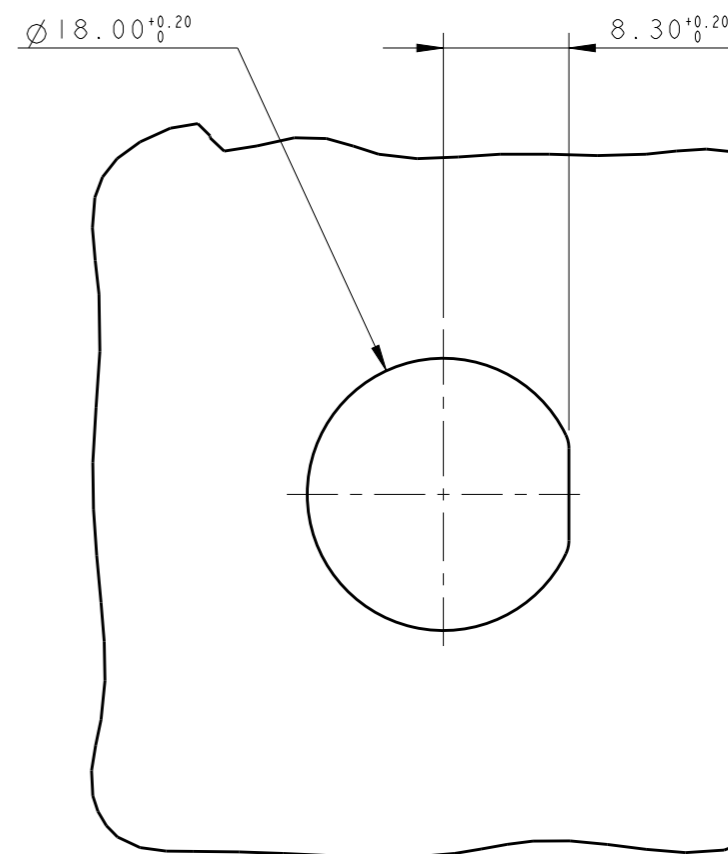
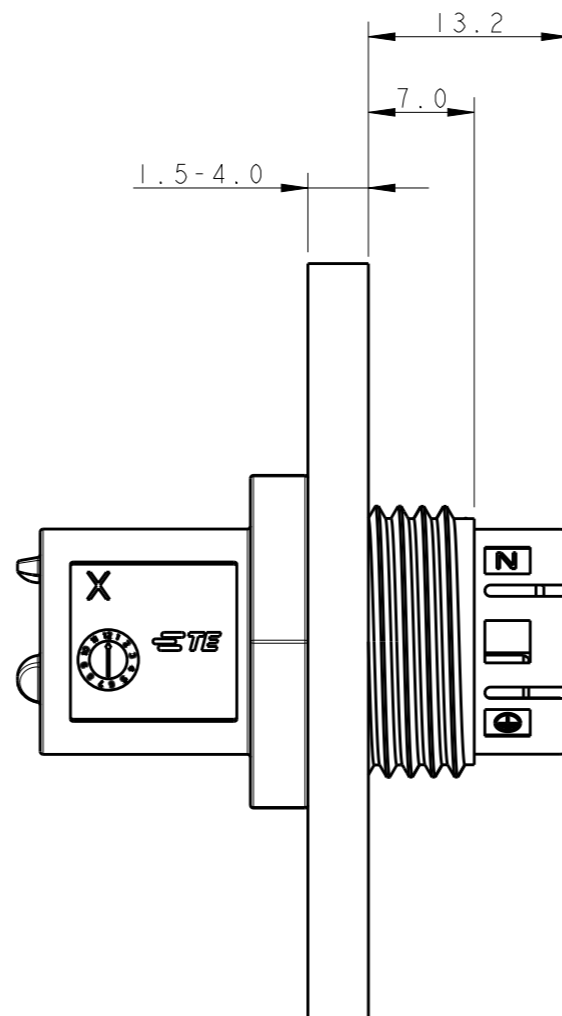
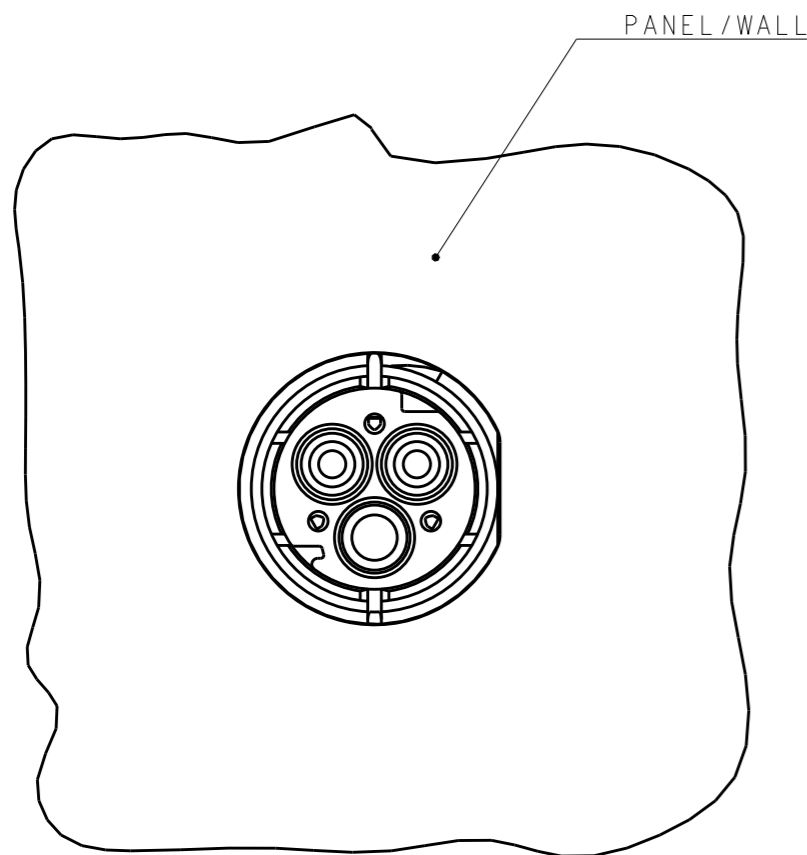
2011


© COPYRIGHT 2011 BY -

ALL RIGHTS RESERVED.

LOC	DIST	REVISIONS					
		P	LTR	DESCRIPTION	DATE	DWN	APVD
1	-	-	-	SEE SHEET 1	-	-	-

PANEL / WALL  
SUGGESTED CUT OUT



THIS DRAWING IS A CONTROLLED DOCUMENT.		DWN M. ZUCCA 06SEP2010	 TE Connectivity	
DIMENSIONS: mm		CHK M. ZUCCA 06SEP2010		
TOLERANCES UNLESS OTHERWISE SPECIFIED:		APVD G. TURCO 06SEP2010	NAME SOCKET HOUSING PANEL MOUNT VERSION NECTOR* M-LINE	
0 PLC ±- 1 PLC ±0.3 2 PLC ±0.20 3 PLC ±- 4 PLC ±- ANGLES ±3°		PRODUCT SPEC 108-20304	SIZE A300779	
MATERIAL SEE NOTES		APPLICATION SPEC 114-20152	DRAWING NO C-293606	
FINISH -		WEIGHT ~5.9 g	RESTRICTED TO -	
		Customer Drawing	SCALE 2:1	SHEET 3 OF 4
			REV C1	

THIS DRAWING IS UNPUBLISHED.

RELEASED FOR PUBLICATION

2011

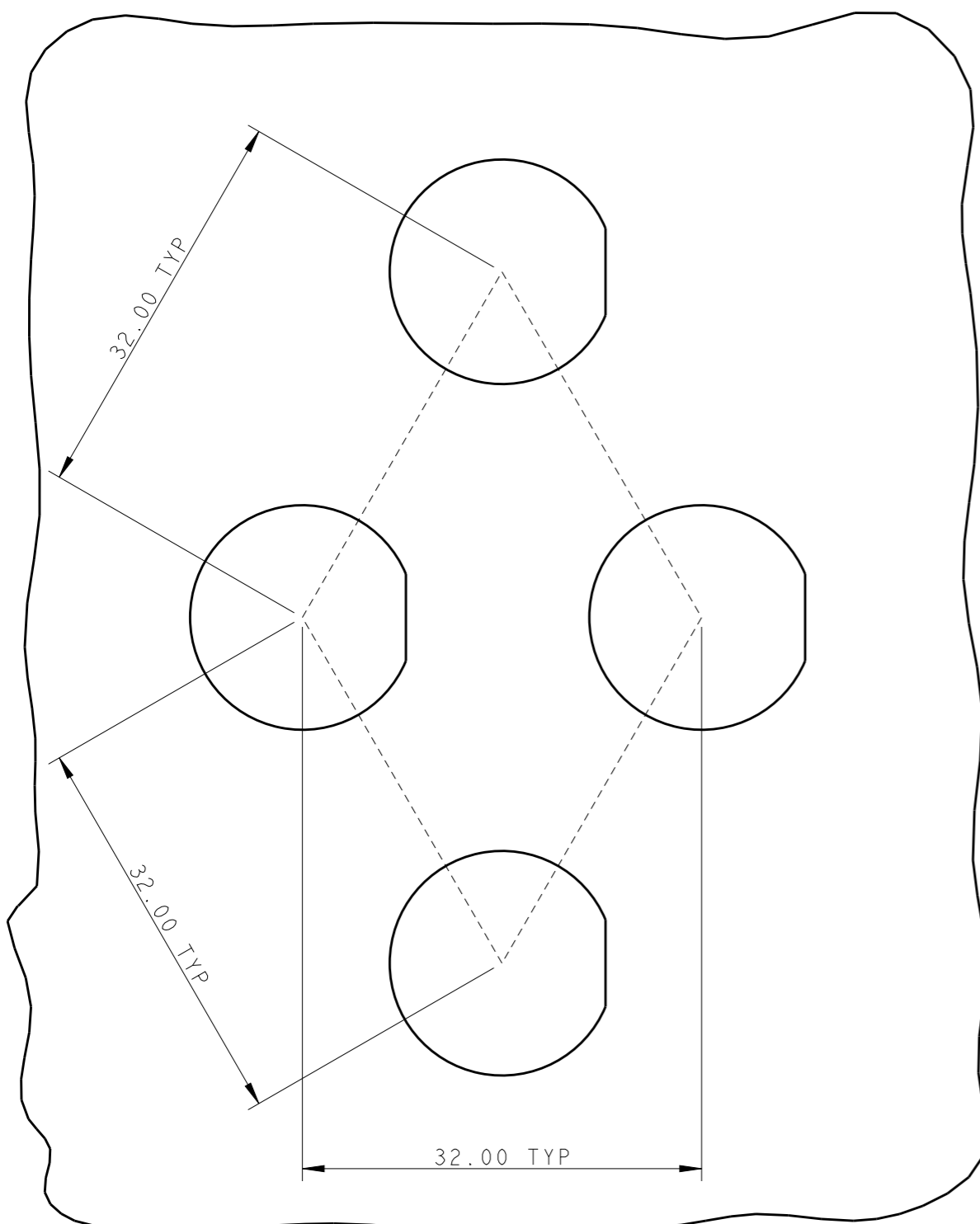
© COPYRIGHT 2011 BY -

ALL RIGHTS RESERVED.

LOC	DIST	REVISIONS			
P	LTR	DESCRIPTION	DATE	DWN	APVD
	-	SEE SHEET 1	-	-	-

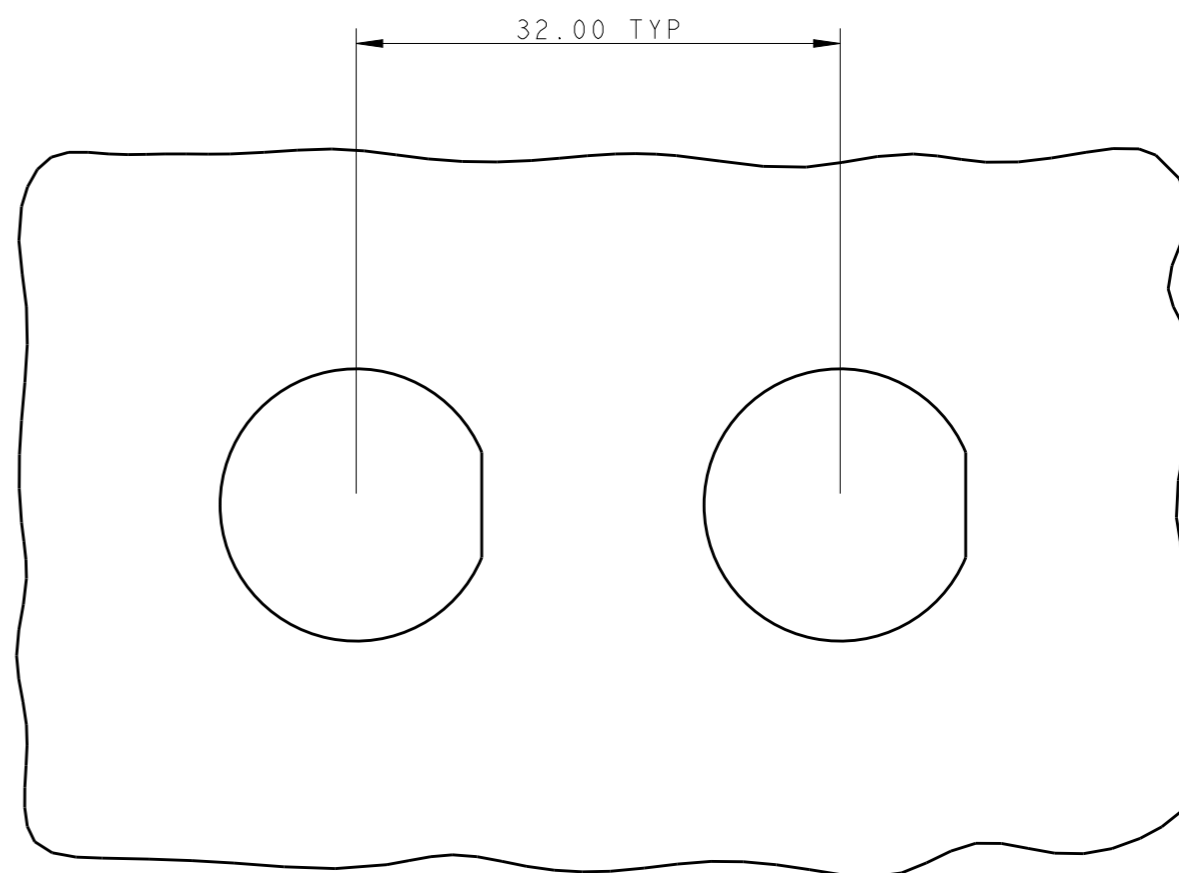
PANEL / WALL  
SUGGESTED CUT OUT FOR  
MULTIPLE HOLES ON MULTIPLE ROWS


(PITCH CAN BE ADJUSTED TO CUSTOMER  
 NEED BUT IN ANY CASE MUST NOT BE LESS  
 THAN 30.00 mm)



PANEL / WALL  
SUGGESTED CUT OUT FOR  
MULTIPLE HOLES ON SINGLE ROW

(PITCH CAN BE ADJUSTED TO CUSTOMER  
 NEED BUT IN ANY CASE MUST NOT BE LESS  
 THAN 30.00 mm)



THIS DRAWING IS A CONTROLLED DOCUMENT.		DWN M. ZUCCA	06SEP2010	 TE Connectivity	
DIMENSIONS: mm		CHK M. ZUCCA	06SEP2010		
TOLERANCES UNLESS OTHERWISE SPECIFIED:		APVD G. TURCO	06SEP2010		
0 PLC ± 1 PLC ±0.3 2 PLC ±0.20 3 PLC ± 4 PLC ± ANGLES ±3°		PRODUCT SPEC 108-20304	NAME SOCKET HOUSING PANEL MOUNT VERSION NECTOR* M-LINE		
MATERIAL SEE NOTES		FINISH	-	APPLICATION SPEC 114-20152	RESTRICTED TO
		WEIGHT	~5.9 g	SIZE A3	CAGE CODE 00779
		Customer Drawing	SCALE 2:1	DRAWING NO C-293606	SHEET 4 OF 4
					REV C1