

6

5

4

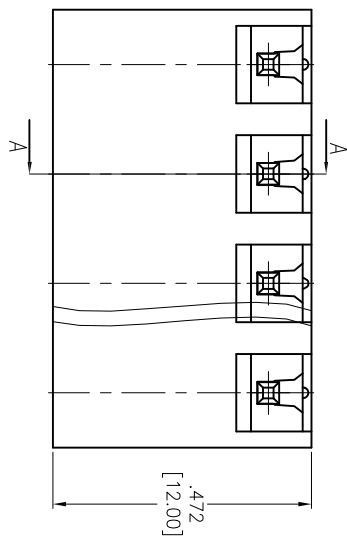
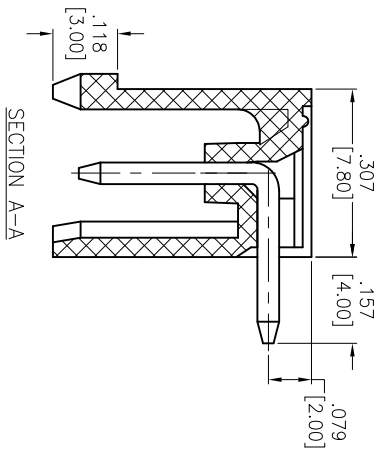
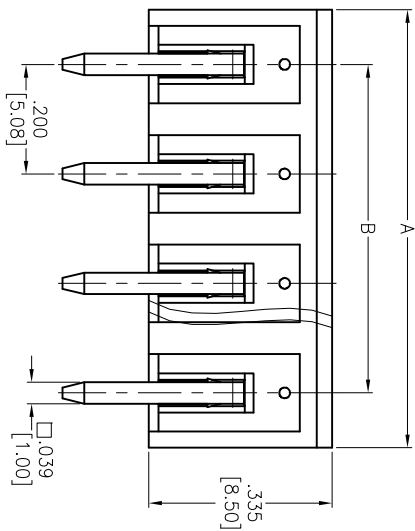
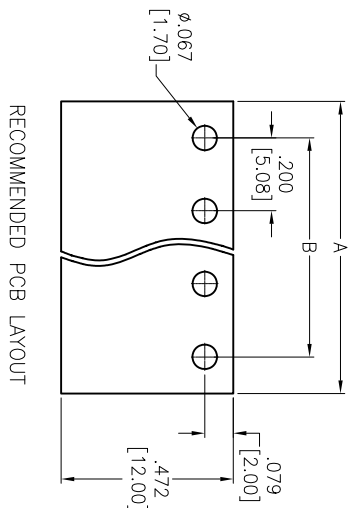
3

2

1

APPROVED: _____
 DATE: _____ TITLE: _____

Rev	AWO #	Description	Date	Appr
-		RELEASED	12/11/13	
A		UPDATE SHAPE	8/29/14	AVYYC



SPECIFICATIONS:

Material:
 Insulator: PA66, rated UL 94V-0
 Insulator color: Green
 Contacts: Brass, Tin plated

Electrical:
 Voltage rated: 300 VAC
 Current rated: 15 Amps
 Contact resistance: 20 mΩ
 Insulation resistance: 500 MΩ @ 500 VDC
 Withstanding voltage: 2000V AC/1 Min

Temperature Rating:
 Operating temperature: -40°C to +105°C
 Environmental:
 Lead free, RoHS compliant.

Positions: 02 thru 24
 A = .200 [5.08] x No. of Positions
 B = .200 [5.08] x No. of Spoces

UNLESS OTHERWISE SPECIFIED
 ALL DIMENSIONS ARE MM [INCHES]
 TOLERANCES: EXCEPT AS NOTED

INCHES	HOLES
.X ± .10	ØX ± .10
.XX ± .020	ØXX ± .015
.XXX ± .015	ØXXX ± .010

APPROVALS	DATE
DRAWN AY	12/11/13
CHECKED SL	12/11/13
APPROVED	

ADAM TECH

909 Rahway Avenue, Union, NJ 07083
 Phone: 908-687-5000 Fax: 908-687-5710

TITLE: .200 [5.08] PITCH, EURO BLOCK HEADER
 RIGHT ANGLE

SIZE	PART NO.	REV.
X	EBQA-XX-D	A

REF: S00067C SCALE: NTS SHEET 1 OF 1



6

5

4

3

2

1