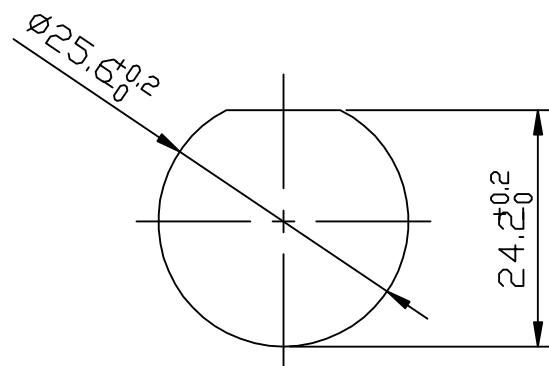
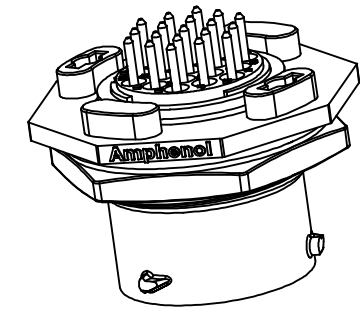
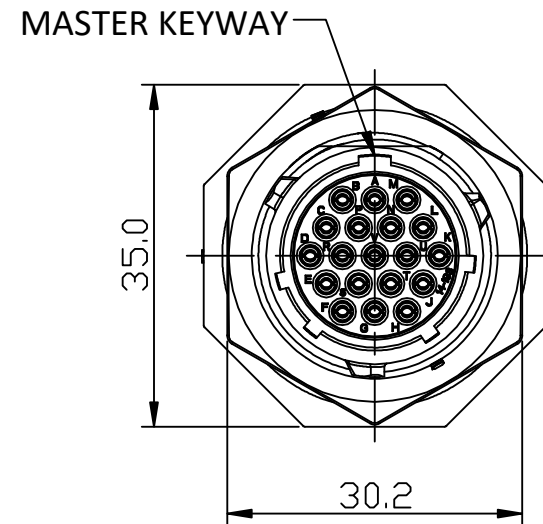
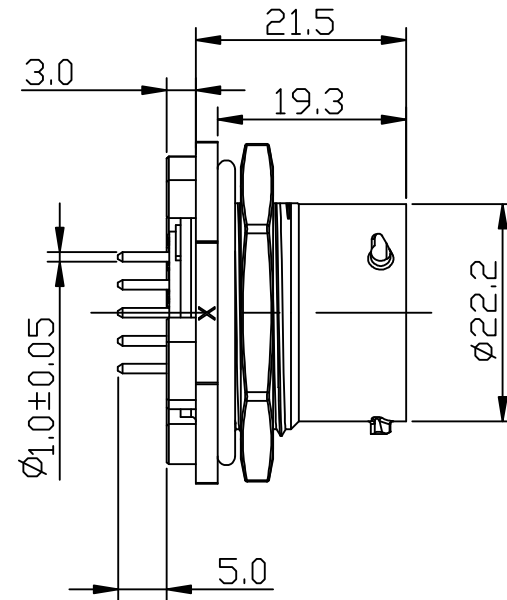
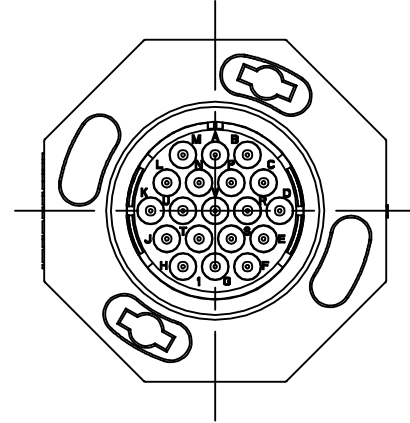
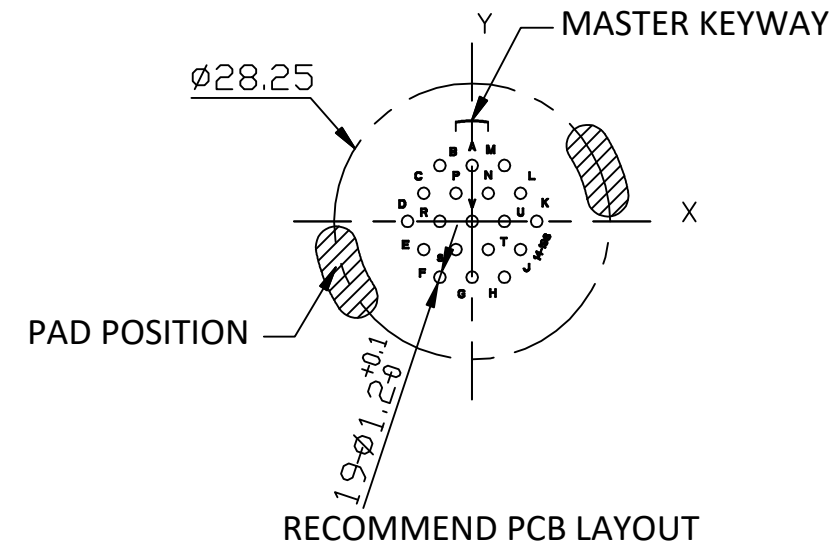


REVISIONS					
REV	ECD	DESCRIPTION	DATE	BY	APPR
A1	-	FIRST RELEASED	Jul-31-2019	Ronald	Tommy



RECOMMEND MOUNTING HOLE



RECOMMEND PCB LAYOUT

Position number	X	Y
A	0.000	5.715
B	-3.302	5.715
C	-4.953	2.870
D	-6.604	0.000
E	-4.953	-2.870
F	-3.302	-5.715
G	0.000	-5.715
H	3.302	-5.715
J	4.953	-2.870
K	6.604	0.000
L	4.953	2.870
M	3.302	5.715
N	1.651	2.870
P	1.651	2.870
R	-3.302	0.000
S	-1.651	-2.870
T	1.651	-2.870
U	3.302	0.000
V	0.000	0.000

NOTES: (UNLESS OTHERWISE SPECIFIED)

1. MATERIAL:

- SHELL: THERMOPLASTIC, UL94 V-0.
- INSERT: THERMOPLASTIC, UL94 V-0.
- O-RING: SILICONE RUBBER.
- SEAL GASKET: SILICONE RUBBER.
- JAM NUT: ALUMINIUM ALLOY, BLACK ANODIZING.
- CONTACT: COPPER ALLOY, GOLD PLATED.

2. SPECIFICATIONS:

- 2.1 RATED CURRENT: 7.5A (MAX).
- 2.2, RATED VOLTAGE: 250V (AC/DC).
- 2.3, OPERATING TEMPERATURE: -40C - 125C.
- 2.4 DIELECTRIC WITHSTANDING VOLTAGE: LESS THAN 2 MILLIAMPS CURRENT LEAKAGE@1500 VOLTS AC.
- 2.5 INSULATION RESISTANCE: 5000 MEGOHMS MIN.
- 2.6 IP--CLASS: IP67 AND IP69K IN THE MATED CONDITION.
- 2.7 MATING CYCLES DURABILITY: 500 CYCLES MIN.
- 2.8 RoHS COMPLIANT.

3. SUITABLE CONTACTS: 20# CONTACT

4. ALL DIMENSIONS ARE FOR REFERENCE USE ONLY.

KEY	PART NUMBER
N	RTS714ND19S03
W	RTS714WD19S03
X	RTS714XD19S03
Y	RTS714YD19S03
Z	RTS714ZD19S03

QUANTITY	PART NUMBER	DESCRIPTION	ITEM
MATERIALS LIST			
UNLESS OTHERWISE SPECIFIED 1) All dimensions are in metric(mm). 2) Tolerances are as follows: 1 PL DEC ±0.30 Fractions ±1/64 2 PL DEC ±0.16 Angles ±1° 3 PL DEC ±0.08 3) Note reference = \triangle X		SIGNATURES DATE DRAWN: Ronald Jul-31-2019 CHECKED: Martin Jul-31-2019 ENGINEER: APPROVAL: Tommy Jul-31-2019 CUSTOMER:	
MATERIAL SPECIFICATIONS:		Amphenol Sine Systems - www.amphenol-sine.com 44724 Morley Drive Clinton Township, MI 48036 ECOMATE® AQUARIUS™, RECEPTACLE, JAM NUT, 19POS, SOCKET CONTACT, SIZE 14	
PROCESS SPECIFICATIONS:			
NEXT ASS'Y:			
SIZE	TYPE	DWG NO:	REVISION
B	C-	RTS714*D19S03	A1
SCALE	NONE	SHEET 1	OF 1

TITLE: ECOMATE RECEPTACLE, JAM NUT, SIZE 19 POS, SOCKET
 DWG NO: RTS714*D19S03
 REV: A1
 SH: 1
 DF: 1