

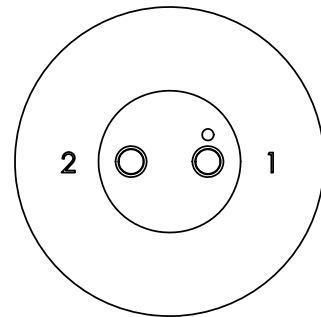
CUSTOMER PRINT

PART NUMBER: 7282-XSG-300

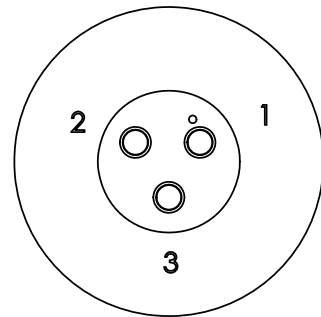
NOTES:

1. ALL PARTS TO BE BULK PACKED.
2. CONTACTS ASSEMBLED INTO CONNECTOR.
3. SEE DRAWING HPMISTD FOR HOLE PATTERN.
4. ALL DIMENSIONS ARE REFERENCE ONLY EXCEPT WHEN NOTED WITH TOLERANCE

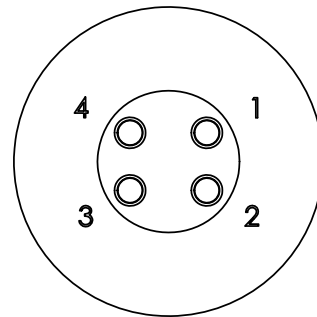
ASSY P/N	NO. OF CONTACTS
7282-2SG-300	2-# 20
7282-3SG-300	3-# 20
7282-4SG-300	4-# 20
7282-5SG-300	5-# 20
7282-6SG-300	6-# 20



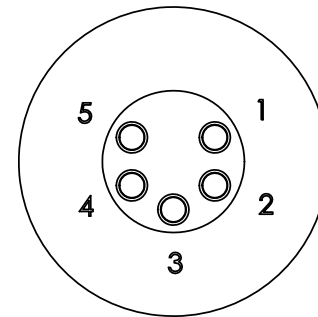
WIRING VIEW
7282-2SG-300



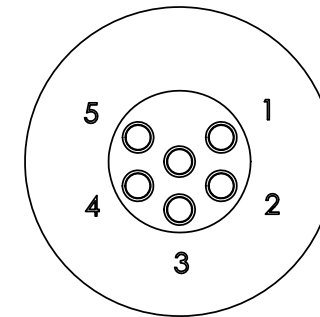
WIRING VIEW
7282-3SG-300



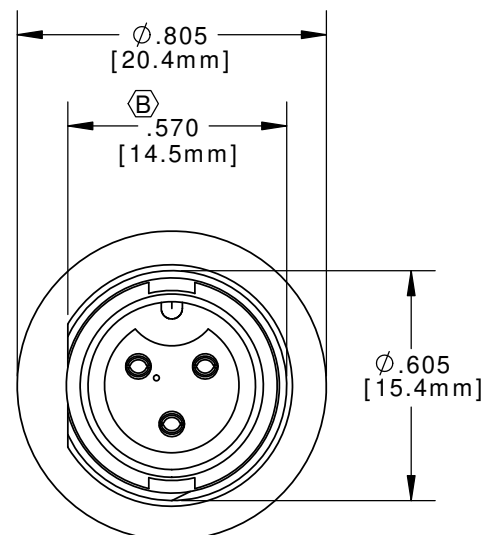
WIRING VIEW
7282-4SG-300



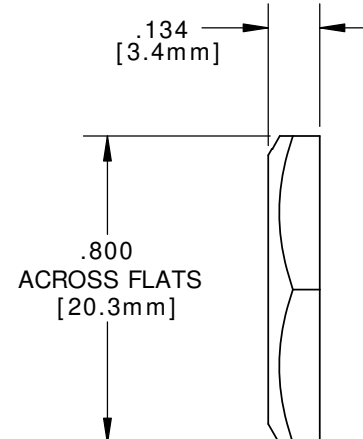
WIRING VIEW
7282-5SG-300



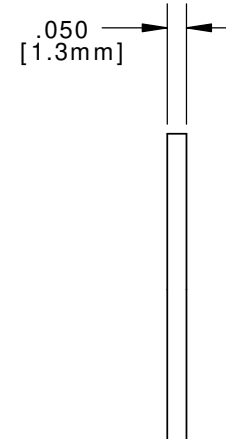
WIRING VIEW
7282-6SG-300



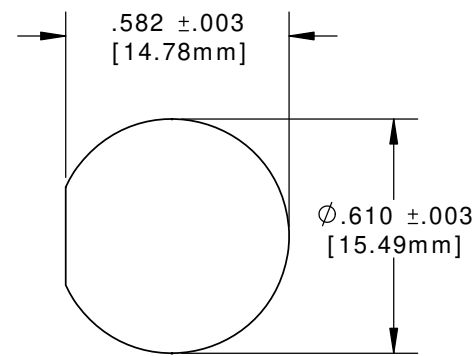
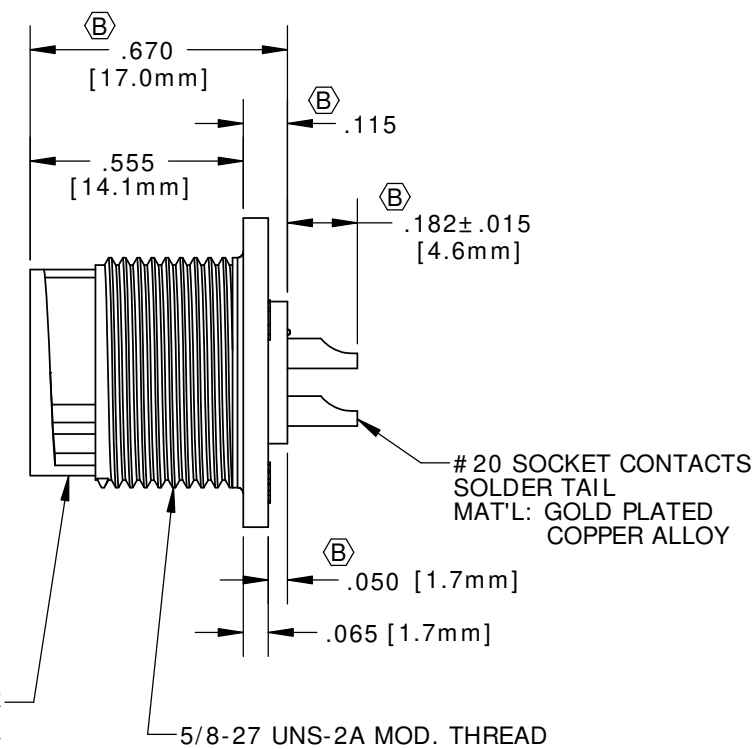
FACE VIEW
7282-3SG-300 SHOWN



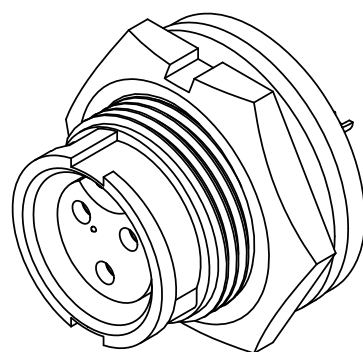
HEX NUT
MAT'L: NYLON, BLACK



GASKET
MAT'L: RUBBER, BLACK



RECOMMENDED PANEL CUT-OUT



SHOWN ASSEMBLED KIT
FOR CUSTOMER REFERENCE ONLY
7282-3SG-300 SHOWN

DIMENSIONS IN BRACKET [] ARE METRIC.

CUSTOMER APPROVAL

THIS DOCUMENT CONTAINS CONFIDENTIAL INFORMATION PROPRIETARY TO CONXALL CORPORATION. ANY REPRODUCTION, DISCLOSURE, OR USE OF THIS DOCUMENT / INFORMATION IS EXPRESSLY PROHIBITED UNLESS AUTHORIZED IN WRITING BY CONXALL CORPORATION.

APPROVED BY: _____
DATE: _____

RoHS COMPLIANT

B	AN	08-24-18	DIM. .670 WAS .665, .570 WAS .565, .182 WAS .187, ADDED DIM. .115 AND .050. PER ECR 8794.
A	AN	01-11-11	CREATED FAMILY DRAWING PER DOR 11-E149SL. SUPERSEDED 7282-3SG-300, 7282-5SG-300, 7282-6SG-300.
REV.	INIT.	DATE	DESCRIPTION
	AN	01-07-11	ALL INFORMATION ILLUSTRATED IS THE PROPERTY OF CONXALL CORPORATION. UNAUTHORIZED DUPLICATION OR DISTRIBUTION OF THIS DOCUMENT IS PROHIBITED.
ALL UNITS ARE IN FEET, INCHES, FRACTION OF INCHES AND DECIMALS.			<p>601 E. WILDWOOD VILLA PARK, IL 60181</p>
SCALE	SIZE	SHEET	
NTS	B	1 OF 1	CUSTOMER: STANDARD PRODUCT
FILE:	DIRECTORY:	PART NUMBER:	REV
7282-XSG-300	SLW	7282-XSG-300	B