

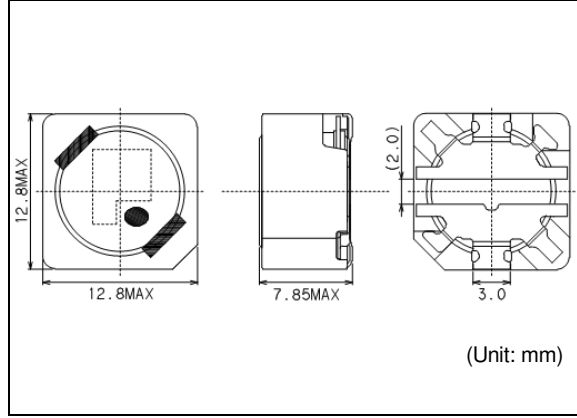
MBH12575C

AEC-Q200

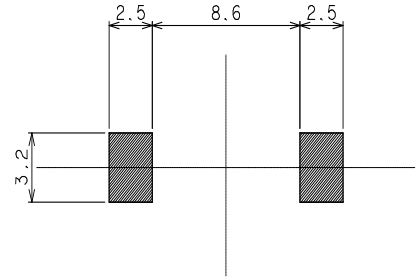
RoHS

REACH

Inductance Range : 2.7~220μH



Recommended patterns
推荐焊盘尺寸



(Unit: mm)

FEATURES 特点

- AEC-Q200 Compliant.
- 12.8× 12.8mm Max. square, 7.85mm Max. height.
- Magnetically shielded.
- Operating temperature : -40~+150°C
- 符合AEC-Q200
- 最大12.8×12.8毫米的平面，最大高度7.85毫米
- 磁性屏蔽结构
- 使用温度范围：-40~+150°C

STANDARD PART NUMBERS 标准零件号码

TYPE MBH12575C (Quantity/reel; 300 PCS)

零件号码	电感值 ⁽¹⁾	公差	最大直流电阻 ⁽²⁾ (典型)	最大电感值减小电流 ⁽³⁾ (典型)	最大温度上升电流 ⁽³⁾ (典型)
Part Number	Inductance ⁽¹⁾ (μH)	Tolerance (%)	DC Resistance ⁽²⁾ (mΩ) Tolerance ±20%	Inductance Decrease Current ⁽³⁾ (A) Max.(Typ.) ΔL/L=10%	Temperature Rise Current ⁽³⁾ ΔT=40°C (A) Max. (Typ.)
* MBH12575C-2R7NA=P3	2.7	±30	10	10 (15)	7.1 (8.9)
* MBH12575C-3R9NA=P3	3.9	±30	11	8.0 (12)	6.5 (8.2)
* MBH12575C-5R6NA=P3	5.6	±30	12	7.0 (10)	6.0 (7.5)
* MBH12575C-6R8NA=P3	6.8	±30	14	5.9 (8.5)	5.6 (7.1)
MBH12575C-100MA=P3	10	±20	16	4.9 (7.0)	5.2 (6.2)
* MBH12575C-150MA=P3	15	±20	19	3.8 (5.5)	4.7 (5.6)
* MBH12575C-220MA=P3	22	±20	27	3.1 (4.5)	4.0 (4.8)
* MBH12575C-330MA=P3	33	±20	40	2.8 (4.0)	3.4 (4.0)
MBH12575C-470MA=P3	47	±20	53	2.1 (3.0)	2.7 (3.2)
* MBH12575C-680MA=P3	68	±20	77	1.7 (2.5)	2.1 (2.5)
* MBH12575C-101MA=P3	100	±20	120	1.5 (2.2)	1.7 (2.1)
* MBH12575C-151MA=P3	150	±20	170	1.3 (1.9)	1.4 (1.7)
MBH12575C-221MA=P3	220	±20	250	1.0 (1.5)	1.2 (1.5)

* Under development

1) Inductance is measured with a LCR meter 4284A(Agilent Technologies) or equivalent. Test frequency at 100kHz
 (2) DC resistance is measured with 34420A (Agilent Technologies) or 3541 (HIOKI). (Reference ambient temperature 25°C)
 (3) Maximum allowable DC current is that which causes a 10% inductance reduction from the initial value, coil temperature to rise by 40°C, whichever is smaller.
 (Reference ambient temperature 25°C)

(1) LCR仪表4284A (Agilent技术)或者功能相同的仪器在100kHz下测试电感值。
 (2) 通过数码万用表34420A (Agilent技术) 或者3541 (HIOKI)测试直流电阻。(环境温度为25°C)
 (3) 允许最大直流电的范围是以下两者中比较小的一个：引起电感值从最初值降低10%，或者线圈温度升高40°C。
 (参考周围环境温度25°C)。