

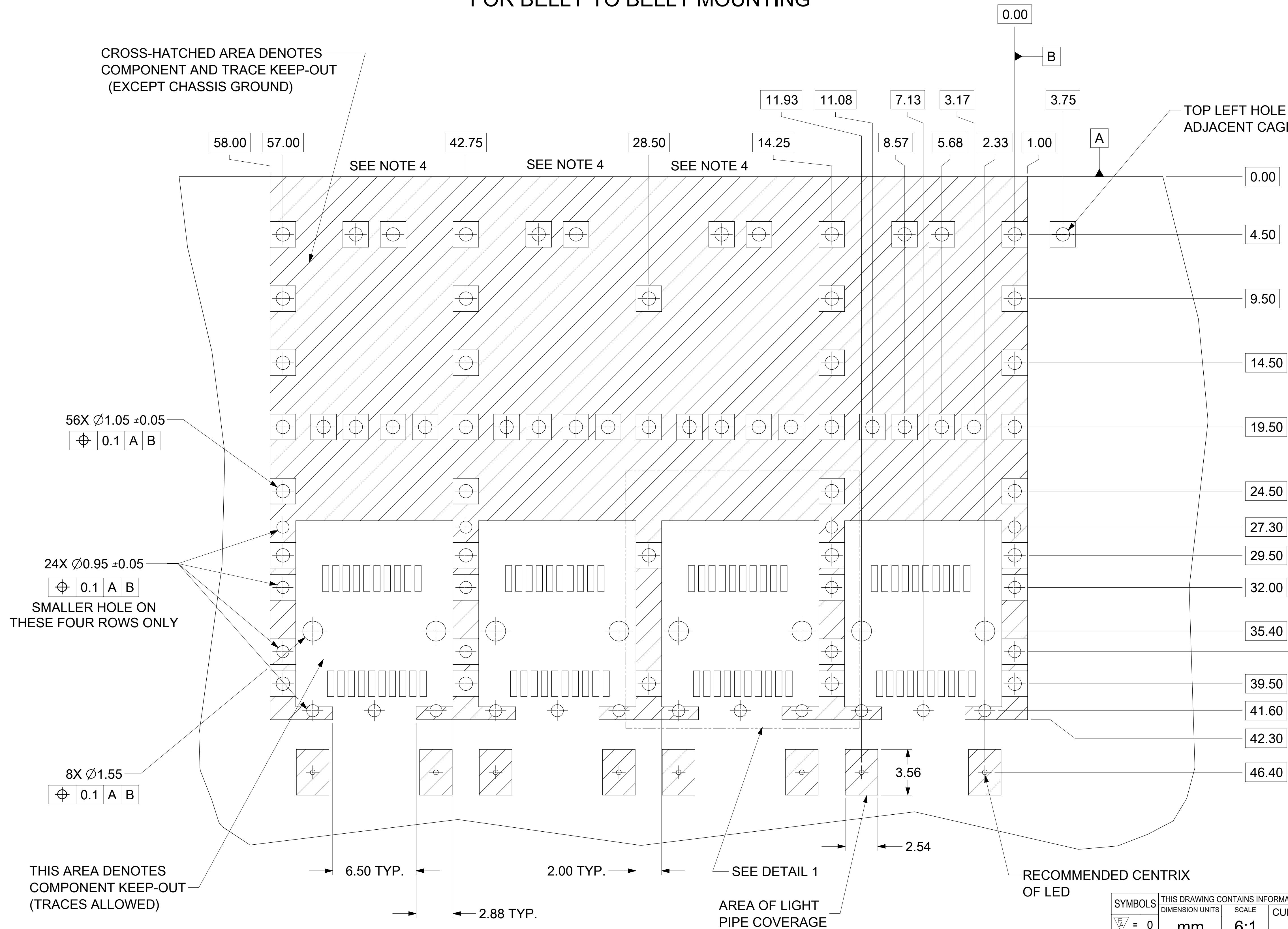
PART NO. AND WEEK/YEAR DATE CODE TO BE PRINTED ON BACK OF COVER APPROXIMATELY AS SHOWN. SEE TABLE BELOW FOR DATE CODE INFORMATION.

WEEK/YEAR DATE CODE TABLE	
WK	WEEK OF THE YEAR 01 THRU 52 (EXAMPLE: 01= FIRST WEEK OF YEAR 52= LAST WEEK OF YEAR)
YR	19,20,21,,ETC (EXAMPLE: YEAR 2019= 19)

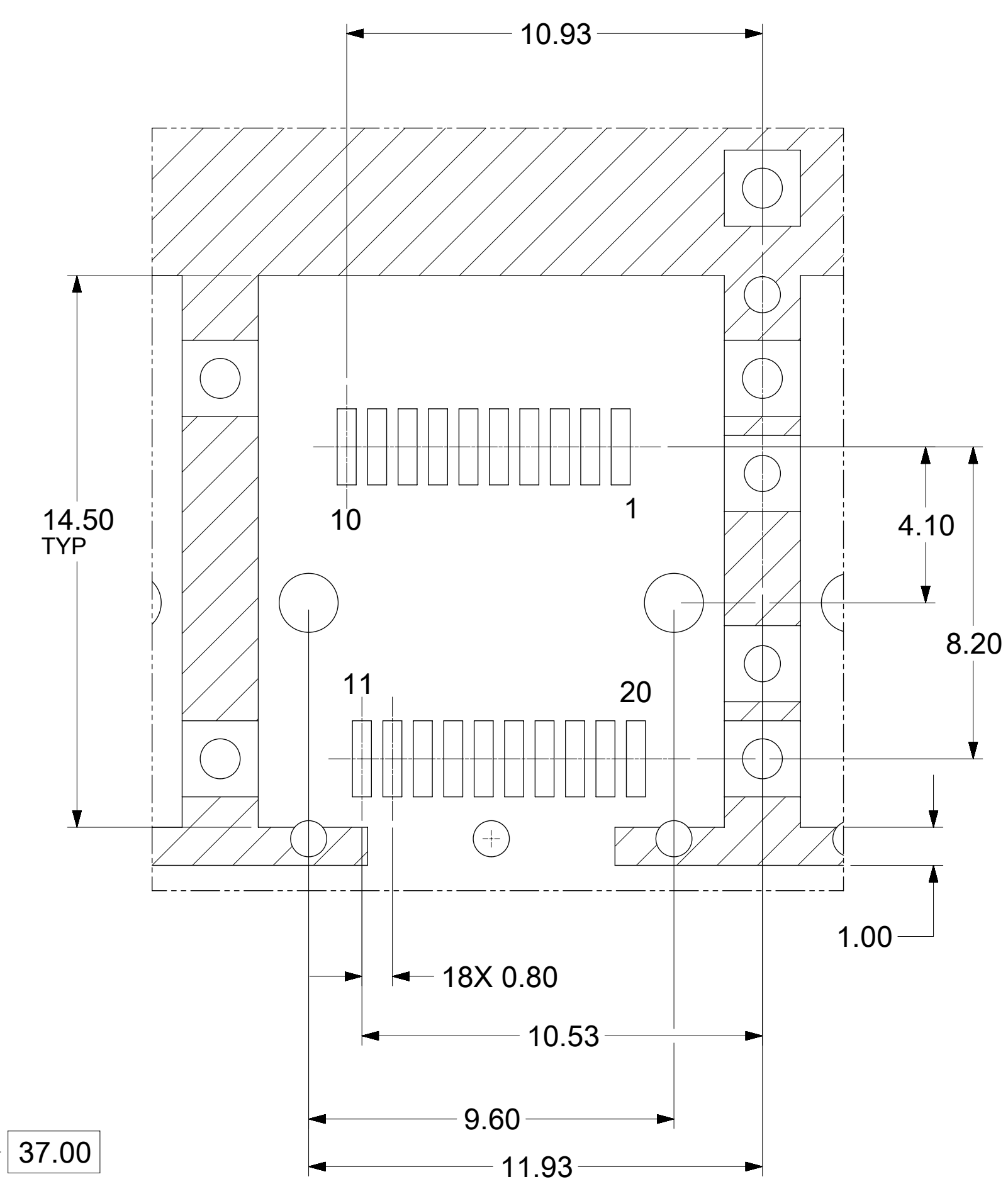
- NOTES:
- THIS LIGHT PIPE ASSEMBLY TO BE USED WITH SERIES 74728, 1X4 CAGES.
  - IT IS RECOMMENDED THAT THE CAGE ASSEMBLY BE PRESSED INTO OR SOLDERED TO THE PCB PRIOR TO ASSEMBLING THE LIGHT PIPE ASSEMBLY.
  - LED'S TO HAVE A MAXIMUM HEIGHT OF 1.4mm AND A MINIMUM HEIGHT OF 0.7mm
  - RECOMMENDED LED'S INCLUDE THE FOLLOWING MANUFACTURES:  
 DIALIGHT: 597-77x1-5xx SERIES  
 CHICAGO MINIATURE: 7016 SERIES  
 KINGBRIGHT: APBL3025 SERIES (BICOLOR)  
 APL3015 SERIES (SINGLE COLOR)
  - NO RoHS EXEMPTIONS.
  - DISCOLORATION IS NOT ALLOWED.

SYMBOLS	THIS DRAWING CONTAINS INFORMATION THAT IS PROPRIETARY TO MOLEX ELECTRONIC TECHNOLOGIES, LLC AND SHOULD NOT BE USED WITHOUT WRITTEN PERMISSION		CURRENT REV DESC: SEE REVISION TABLE						
	DIMENSION UNITS	SCALE							
▽ = 0	mm	4:1	EC NO: 618645 DRWN: JYEN01 2019/06/06 CHK'D: JCHIANG 2019/06/06 APPR: JCHIANG 2019/06/06 INITIAL REVISION: DRWN: PMAHADEVAPPA 2018/12/18 APPR: RCHEN08 2019/01/15		1X4 SFP LIGHT PIPE COVER ASSEMBLY, LOW PROFILE				
▽ = 0	GENERAL TOLERANCES (UNLESS SPECIFIED)				PRODUCT CUSTOMER DRAWING				
▽ = 0	ANGULAR TOL ± 1.0°				DOCUMENT NUMBER		DOC TYPE	DOC PART	REVISION
▽ = 0	4 PLACES ±				747280002		PSD	ASY	B1
▽ = 0	3 PLACES ±				MATERIAL NUMBER		CUSTOMER		SHEET NUMBER
▽ = 0	2 PLACES ± 0.13		747280002				1 OF 5		
▽ = 0	1 PLACE ± 0.25		DRAWING		SERIES				
▽ = 0	0 PLACES ±		D-SIZE		74728				
▽ = 0	DRAFT WHERE APPLICABLE MUST REMAIN WITHIN DIMENSIONS		THIRD ANGLE PROJECTION		MATERIAL NUMBER				
▽ = 0			DRAFTING		747280002				
▽ = 0			SERIES		74728				

# PCB LAYOUT FOR BELLY TO BELLY MOUNTING



## HOST CONNECTOR DETAIL



DETAIL 1  
SCALE 8:1

- NOTES:
1. PADS AND VIAS GO TO CHASSIS GROUND, (64 PLACES). RECOMMENDED PADS TO BE 2mm SQUARE.
  2. PLATING OPTIONAL FOR THROUGH HOLES, (16 PLACES).
  3. RECOMMENDED PLATING INCLUDES HASL, IMMERSION (GOLD OR SILVER), AND OSP.
  4. HOLE PATTERN REPEATS FOR EACH PORT, SPACING BETWEEN PORTS IS 14.25.

SYMBOLS		THIS DRAWING CONTAINS INFORMATION THAT IS PROPRIETARY TO MOLEX ELECTRONIC TECHNOLOGIES, LLC AND SHOULD NOT BE USED WITHOUT WRITTEN PERMISSION	
▽ = 0	mm	SCALE	6:1
▽ = 0	GENERAL TOLERANCES (UNLESS SPECIFIED)		CURRENT REV DESC: SEE REVISION TABLE
▽ = 0	ANGULAR TOL	±	1.0°
▽ = 0	4 PLACES	±	
▽ = 0	3 PLACES	±	
▽ = 0	2 PLACES	±	0.13
▽ = 0	1 PLACE	±	0.25
▽ = 0	0 PLACES	±	
■ = 0	DRAFT WHERE APPLICABLE MUST REMAIN WITHIN DIMENSIONS		THIRD ANGLE PROJECTION
▽ = 0			DRAWING SERIES
		D-SIZE	74728
		MATERIAL NUMBER	747280002
		CUSTOMER	
		SHEET NUMBER	2 OF 5

**molex**

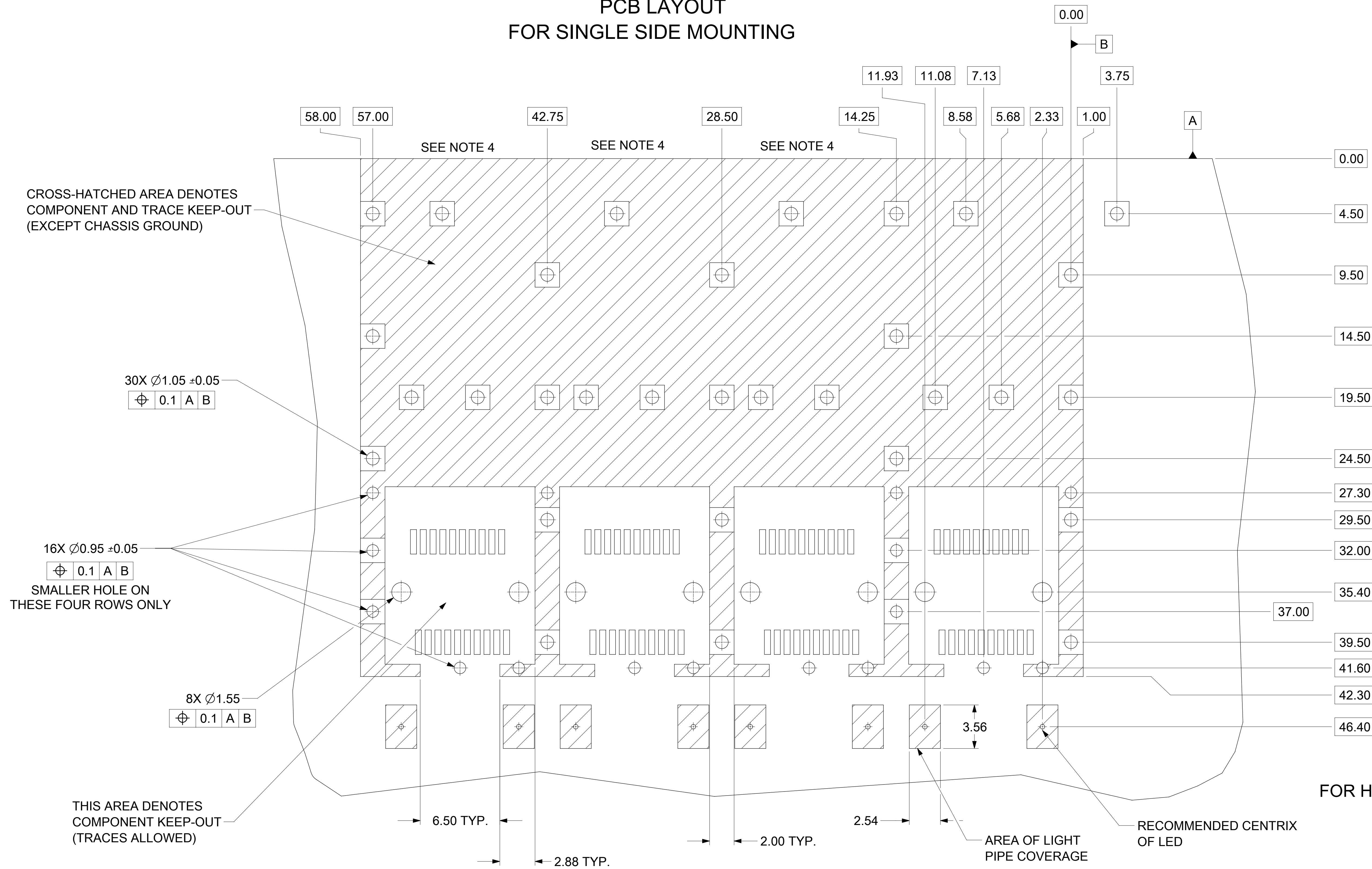
1X4 SFP LIGHT PIPE  
COVER ASSEMBLY, LOW PROFILE

PRODUCT CUSTOMER DRAWING

DOCUMENT NUMBER	DOC TYPE	DOC PART	REVISION
747280002	PSD	ASY	B1

DOCUMENT STATUS	P1	RELEASE DATE	2019/06/06	08:41:03
-----------------	----	--------------	------------	----------

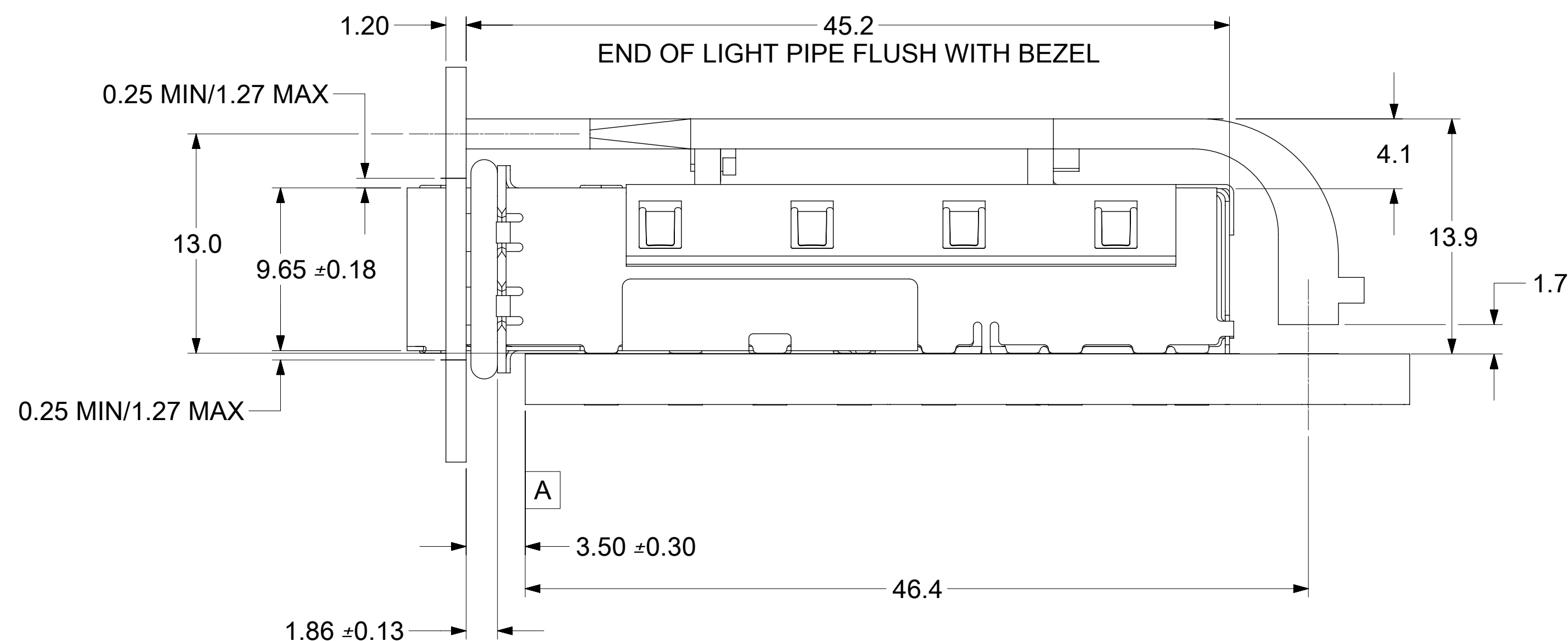
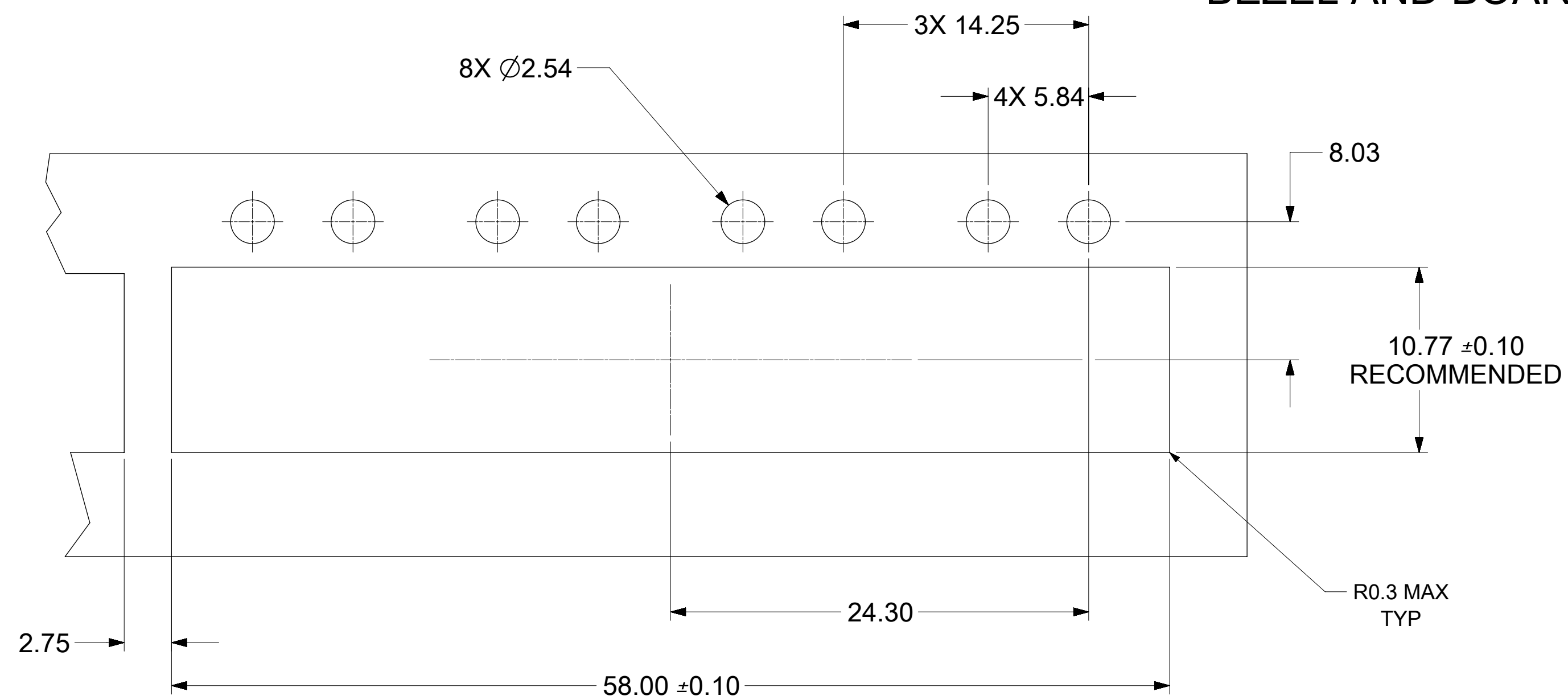
# PCB LAYOUT FOR SINGLE SIDE MOUNTING



- NOTES:**
1. PADS AND VIAS GO TO CHASSIS GROUND, (34 PLACES). RECOMMENDED PADS TO BE 2mm SQUARE.
  2. PLATING OPTIONAL FOR THROUGH HOLES, (12 PLACES).
  3. RECOMMENDED PLATING INCLUDES HASL, IMMERSION (GOLD OR SILVER), AND OSP.
  4. HOLE PATTERN REPEATS FOR EACH PORT, SPACING BETWEEN PORTS IS 14.25.

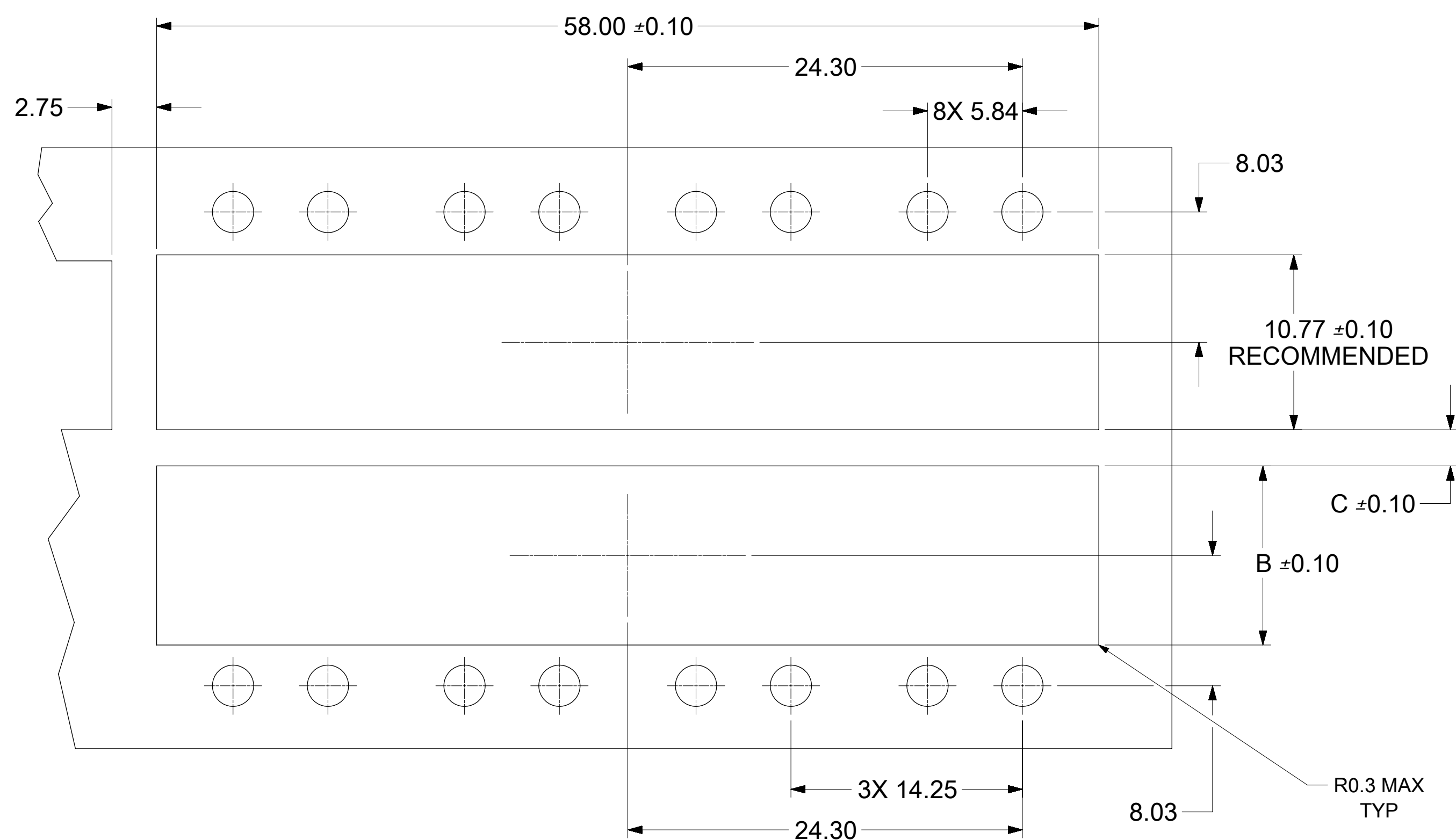
SYMBOLS		THIS DRAWING CONTAINS INFORMATION THAT IS PROPRIETARY TO MOLEX ELECTRONIC TECHNOLOGIES, LLC AND SHOULD NOT BE USED WITHOUT WRITTEN PERMISSION	
▽ = 0	DIMENSION UNITS	SCALE	CURRENT REV DESC: SEE REVISION TABLE
▽ = 0	mm	6:1	
▽ = 0	GENERAL TOLERANCES (UNLESS SPECIFIED)		
▽ = 0	ANGULAR TOL	± 1.0°	EC NO: 618645
▽ = 0	4 PLACES	±	DRWN: JYEN01 2019/06/06
▽ = 0	3 PLACES	±	CHK'D: JCHIANG 2019/06/06
▽ = 0	2 PLACES	± 0.13	APPR: JCHIANG 2019/06/06
▽ = 0	1 PLACE	± 0.25	INITIAL REVISION:
▽ = 0	0 PLACES	±	DRWN: PMAHADEVAPPA 2018/12/18
▽ = 0	DRAFT WHERE APPLICABLE MUST REMAIN WITHIN DIMENSIONS		APPR: RCHEN08 2019/01/15
▽ = 0	THIRD ANGLE PROJECTION		SERIES
▽ = 0	D-SIZE		74728
DOCUMENT NUMBER		DOC TYPE	DOC PART
747280002		PSD	ASY
MATERIAL NUMBER		CUSTOMER	REVISION
747280002			B1
SHEET NUMBER		3 OF 5	

### BEZEL AND BOARD POSITION DIMENSIONS FOR SINGLE SIDE MOUNTING

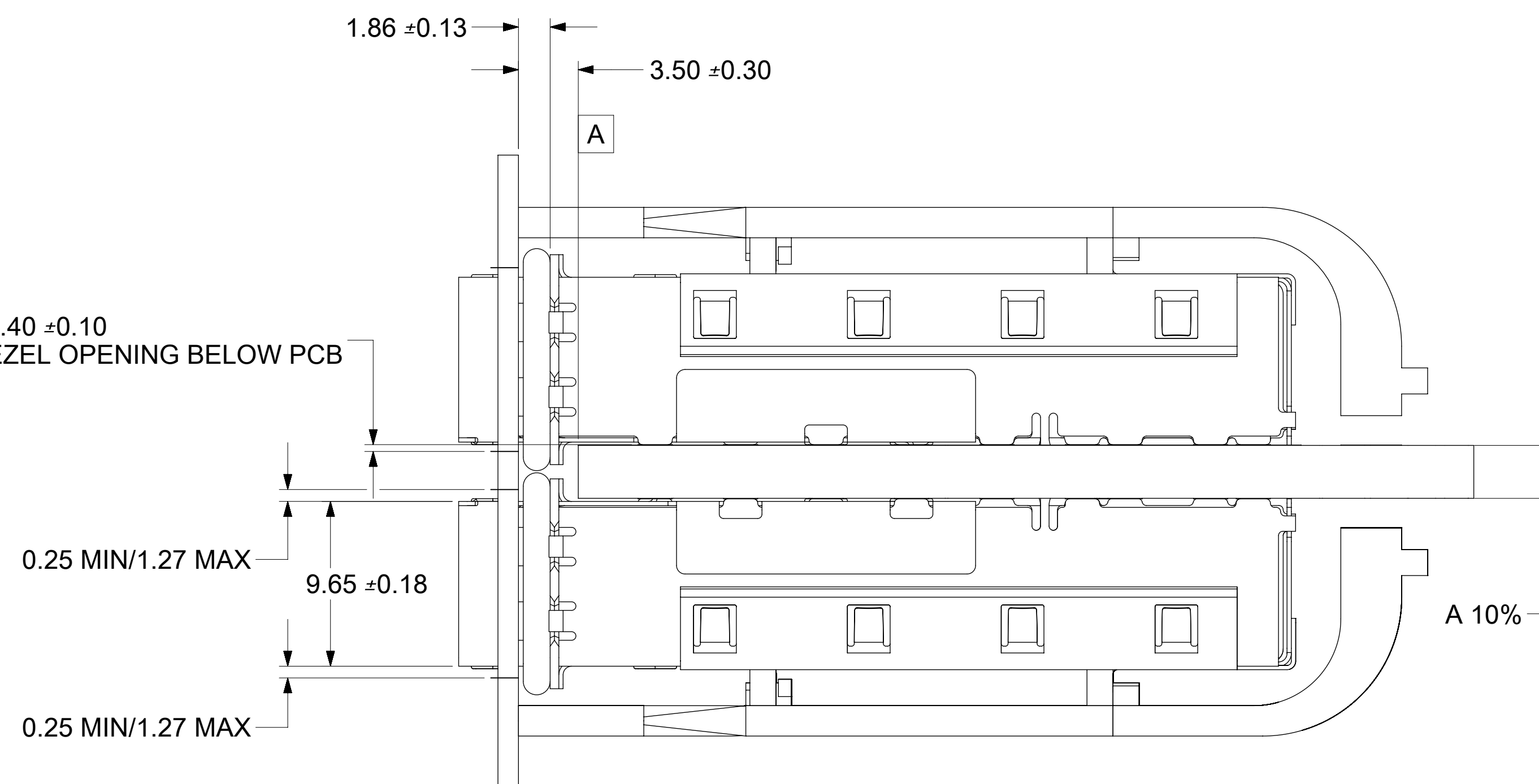


NOTE: MAX LED HEIGHT OF 1.40

### BEZEL AND BOARD POSITION DIMENSIONS FOR BELLY TO BELLY MOUNTING



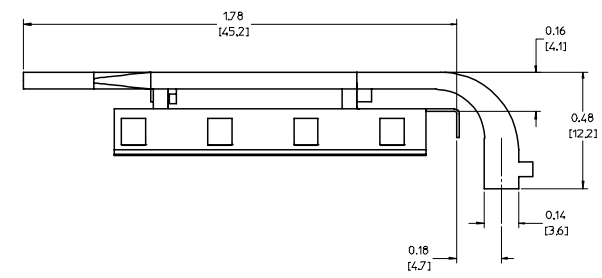
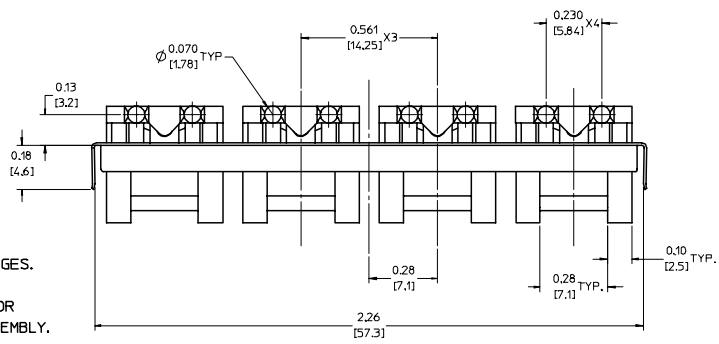
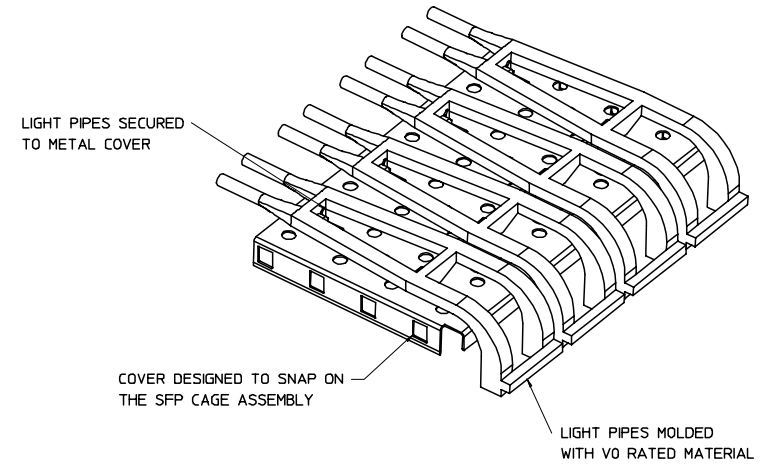
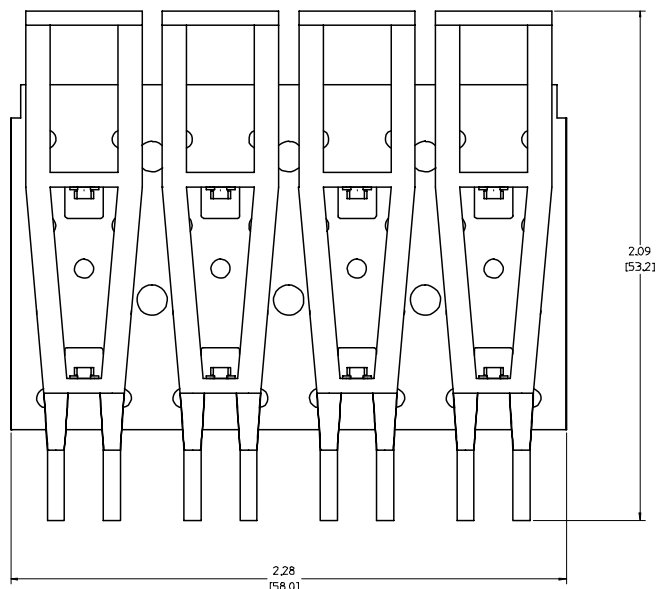
0.40 ±0.10 RECOMMENDED BEZEL OPENING BELOW PCB



NOTE: FOR A GIVEN BOARD THICKNESS (A), DIMENSIONS (B) AND (C) ARE DIRECTLY AFFECTED. USE RECOMMENDED DIMENSIONS AND TOLERANCES TO AID IN DEVELOPING BEZEL OPENING. FOR EXAMPLE USING A BOARD THICKNESS OF 3.18mm THE RECOMMENDED VALUES WOULD BE:  
 A= 3.18 ±10%  
 B= 11.03 ±.10  
 C= 2.23 ±.10

THIS DRAWING CONTAINS INFORMATION THAT IS PROPRIETARY TO MOLEX ELECTRONIC TECHNOLOGIES, LLC AND SHOULD NOT BE USED WITHOUT WRITTEN PERMISSION																							
SYMBOLS		DIMENSION UNITS		SCALE		CURRENT REV DESC: SEE REVISION TABLE																	
▽ = 0		mm		4:1																			
▽ = 0		GENERAL TOLERANCES (UNLESS SPECIFIED)																					
▽ = 0		ANGULAR TOL ± 1.0°																					
▽ = 0		4 PLACES ±																					
▽ = 0		3 PLACES ±																					
▽ = 0		2 PLACES ± 0.13																					
▽ = 0		1 PLACE ± 0.25																					
▽ = 0		0 PLACES ±																					
■ = 0		DRAFT WHERE APPLICABLE MUST REMAIN WITHIN DIMENSIONS		THIRD ANGLE PROJECTION		DRAWING		SERIES		MATERIAL NUMBER													
▽ = 0				D-SIZE		74728		747280002		CUSTOMER													
DOCUMENT NUMBER						DOC TYPE						DOC PART						REVISION					
747280002						PSD						ASY						B1					
DOCUMENT NUMBER						CUSTOMER						SHEET NUMBER											
747280002												4 OF 5											





NOTES:

1. THIS LIGHT PIPE ASSEMBLY TO BE USED WITH SERIES 74728, 1X4 CAGES.
2. IT IS RECOMMENDED THAT THE CAGE ASSEMBLY BE PRESSED INTO OR SOLDERED TO THE PCB PRIOR TO ASSEMBLING THE LIGHT PIPE ASSEMBLY.
3. LED'S TO HAVE A MAXIMUM HEIGHT OF 1.4mm AND A MINIMUM HEIGHT OF 0.7mm
4. RECOMMENDED LED'S INCLUDE THE FOLLOWING MANUFACTURES:

- DIALIGHT: 597-77x1-5xx SERIES
- CHICAGO MINIATURE: 7016 SERIES
- KINGBRIGHT: APBL3025 SERIES (BICOLOR)  
APL3015 SERIES (SINGLE COLOR)

5. THIS PART MEETS THE RESTRICTION OF HAZARDOUS SUBSTANCES IN ELECTRICAL AND ELECTRONIC EQUIPMENT (ROHS) DIRECTIVE (2002/95/EC).

<b>ENTER DESCRIPTION</b> EC NO: UST2006-0124 DRAWN BY: DRINKS MONSON 2005/11/05 CHECKED BY: CHUCK BRUSSELL 2005/11/09 APPR: BRUSSELL 2005/11/16	<b>QUALITY SYMBOLS</b> ▽=0 ▽=0	<b>GENERAL TOLERANCES (UNLESS SPECIFIED)</b>		<b>DIMENSION STYLE</b> IN/MM		SCALE 4:1	DESIGN UNITS METRIC	THIRD ANGLE PROJECTION
		4 PLACES ± --- ± --- 3 PLACES ± --- ± .005 2 PLACES ± 0.13 ± .01 1 PLACE ± 0.25 ± --- ANGULAR ± 1 °	mm INCH	DRAWN BY KS IMONSO	DATE 2005/11/05	CHECKED BY BRUSSELL	DATE 2005/11/05	
<b>REVISIONS</b> A	<b>DESCRIPTION</b>	DRAFT WHERE APPLICABLE MUST REMAIN WITHIN DIMENSIONS		MATERIAL NO. 747280002	DOCUMENT NO. SD-74728-002	MOLEX INCORPORATED		SHEET NO. 1 OF 5
		THIS DRAWING CONTAINS INFORMATION THAT IS PROPRIETARY TO MOLEX INCORPORATED AND SHOULD NOT BE USED WITHOUT WRITTEN PERMISSION						



# PCB LAYOUT FOR SINGLE SIDE MOUNTING

CROSS-HATCHED AREA DENOTES  
COMPONENT AND TRACE KEEP-OUT  
(EXCEPT CHASSIS GROUND)

$\varnothing 0.041 \pm 0.002$   
(1.05 ± 0.05)  
[ $\Phi$ ] .004 [A/B] X30

$\varnothing 0.037 \pm 0.002$   
(0.95 ± 0.05)  
[ $\Phi$ ] .004 [A/B]  
SMALLER HOLE ON  
THESE FOUR ROWS ONLY

THIS AREA DENOTES  
COMPONENT KEEP-OUT  
(TRACES ALLOWED)

SEE NOTE 4

SEE NOTE 4

SEE NOTE 4

RECOMMENDED CENTRIX  
OF LED

AREA OF LIGHT  
PIPE COVERAGE

## NOTES:

1. PADS AND VIAS GO TO CHASSIS GROUND. (34 PLACES). RECOMMENDED PADS TO BE 2mm SQUARE.
2. PLATING OPTIONAL FOR THROUGH HOLES. (12 PLACES).
3. RECOMMENDED PLATING INCLUDES HASL, IMMERSION (GOLD OR SILVER), AND OSP.
4. HOLE PATTERN REPEATS FOR EACH PORT. SPACING BETWEEN PORTS IS 5.61 [14.25].

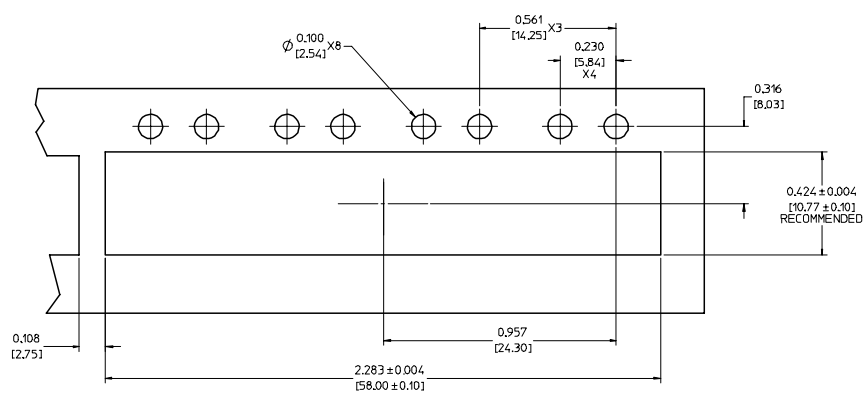
<b>ENTER DESCRIPTION</b> EC NO: US72006-0024 DRWNS: JMONSON 2005/11/05 CHKD: BRUSSELL 2005/11/09 APPR: BRUSSELL 2005/11/16	<b>QUALITY SYMBOLS</b> $\nabla=0$ $\nabla=0$	<b>GENERAL TOLERANCES (UNLESS SPECIFIED)</b>		<b>DIMENSION STYLE</b> IN/MM		SCALE 6:1	DESIGN UNITS METRIC	THIRD ANGLE PROJECTION	
		4 PLACES ± --- ± --- 3 PLACES ± --- ± .005 2 PLACES ± 0.13 ± .01 1 PLACE ± 0.25 ± --- ANGULAR ± 1 °	mm INCH	DRAWN BY KS IMONSO	DATE 2005/11/05	CHECKED BY BRUSSELL	DATE 2005/11/05	TITLE 1X4 SFP LIGHT PIPE COVER ASSEMBLY, LOW PROFILE	
DRAFT WHERE APPLICABLE MUST REMAIN WITHIN DIMENSIONS		MATERIAL NO. 747280002		APPROVED BY BRUSSELL		DATE 2005/11/05	MOLEX INCORPORATED		SHEET NO. 3 OF 5
THIS DRAWING CONTAINS INFORMATION THAT IS PROPRIETARY TO MOLEX INCORPORATED AND SHOULD NOT BE USED WITHOUT WRITTEN PERMISSION									



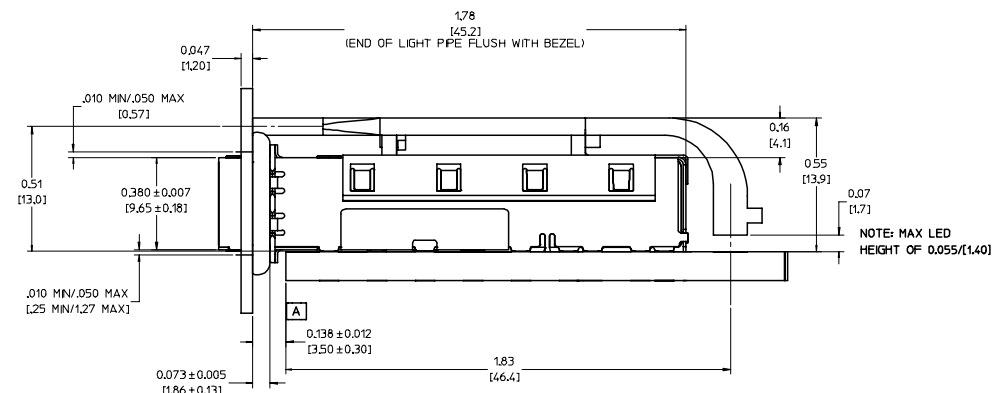
20 19 18 17 16 15 14 13 12 11 10 9 8 7 6 5 4 3 2 1

M  
L  
K  
J  
I  
H  
G  
F  
E  
D  
C  
B  
A

M  
L  
K  
J  
I  
H  
G  
F  
E  
D  
C  
B  
A

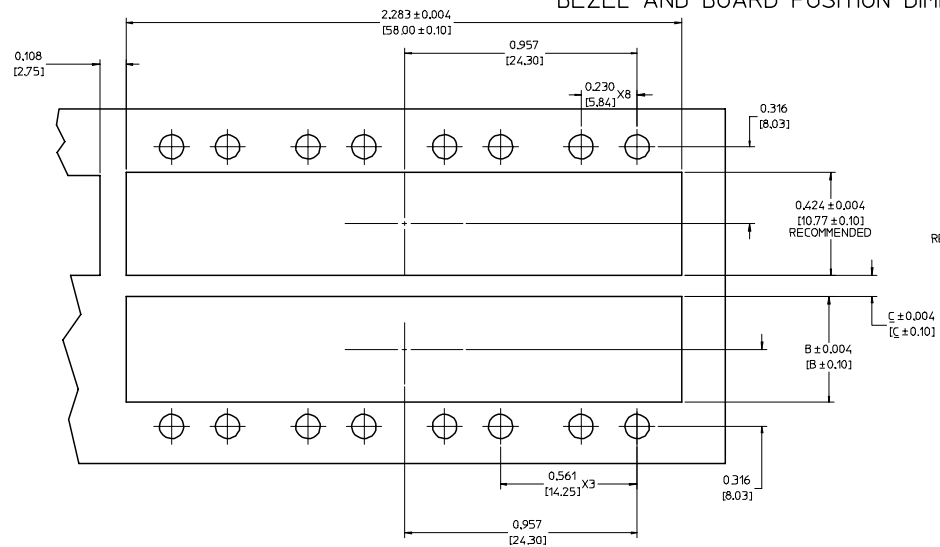


BEZEL AND BOARD POSITION DIMENSIONS FOR SINGLE SIDE MOUNTING



NOTE: MAX LED HEIGHT OF 0.055(1.40)

BEZEL AND BOARD POSITION DIMENSIONS FOR BELLY TO BELLY MOUNTING

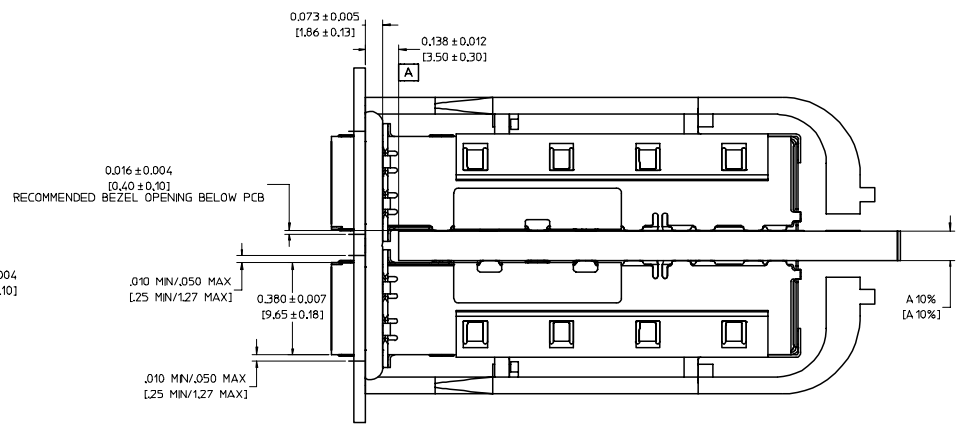


NOTE: FOR A GIVEN BOARD THICKNESS (A), DIMENSIONS (B) AND (C) ARE DIRECTLY AFFECTED.

USE RECOMMENDED DIMENSIONS AND TOLERANCES TO AID IN DEVELOPING BEZEL OPENING.

FOR EXAMPLE USING A BOARD THICKNESS OF .125" THE RECOMMENDED VALUES WOULD BE:

- A- .125/3.18 ± 10%
- B- .434/11.03 ± .004
- C- .088/2.23 ± .004



<b>ENTER DESCRIPTION</b> EC NO: UST2006-0724 DRWN:KJMONSON 2005/11/05 CHKD:BRUSSELL 2005/11/05 APPR:BRUSSELL 2005/11/16	QUALITY SYMBOLS	GENERAL TOLERANCES (UNLESS SPECIFIED)		DIMENSION STYLE		SCALE	DESIGN UNITS	THIRD ANGLE PROJECTION TITLE 1X4 SFP LIGHT PIPE COVER ASSEMBLY, LOW PROFILE MOLEX INCORPORATED DOCUMENT NO. SD-74728-002 SHEET NO. 4 OF 5	
	▽=0 ▽=0	mm	INCH	IN/MM		4:1	METRIC		
		4 PLACES ± .005	3 PLACES ± .005	2 PLACES ± 0.13	1 PLACE ± 0.25	ANGULAR ± 1°			
		DRAFT WHERE APPLICABLE MUST REMAIN WITHIN DIMENSIONS		MATERIAL NO. 747280002		THIS DRAWING CONTAINS INFORMATION THAT IS PROPRIETARY TO MOLEX INCORPORATED AND SHOULD NOT BE USED WITHOUT WRITTEN PERMISSION			

19 18 17 16 15 14 13 12 11 10 9 8 7 6 5 4 3 2 1

20 19 18 17 16 15 14 13 12 11 10 9 8 7 6 5 4 3 2 1

M  
L  
K  
J  
I  
H  
G  
F  
E  
D  
C  
B  
A

M  
L  
K  
J  
I  
H  
G  
F  
E  
D  
C  
B  
A

DATE	REV	CHANGES	COMMENTS
2005/11/05	A	INITIAL RELEASE	N/A

<b>ENTER DESCRIPTION</b> EC NO: UST2006-0124 DRAWN BY: DRANKS MONSON 2005/11/05 CHECKED BY: CHUCK BRUSSELL 2005/11/05 APPROVED BY: BRUSSELL 2005/11/16 A	QUALITY SYMBOLS ▽=0 ▽=0	GENERAL TOLERANCES (UNLESS SPECIFIED)		DIMENSION STYLE IN/MM		SCALE 1:1	DESIGN UNITS METRIC	THIRD ANGLE PROJECTION
		4 PLACES ± --- ± --- 3 PLACES ± --- ± .005 2 PLACES ± 0.13 ± .01 1 PLACE ± 0.25 ± ---	mm INCH	DRAWN BY KS IMONSO	DATE 2005/11/05	TITLE 1X4 SFP LIGHT PIPE COVER ASSEMBLY, LOW PROFILE		
		ANGULAR ± 1 °		CHECKED BY BRUSSELL	DATE 2005/11/05	MOLEX INCORPORATED		
		DRAFT WHERE APPLICABLE MUST REMAIN WITHIN DIMENSIONS		APPROVED BY BRUSSELL	DATE 2005/11/05	MATERIAL NO. 747280002	DOCUMENT NO. SD-74728-002	

19 18 17 16 15 14 13 12 11 10 9 8 7 6 5 4 3 2 1