

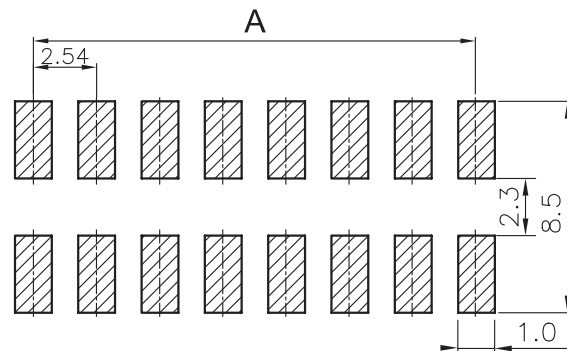
1

2

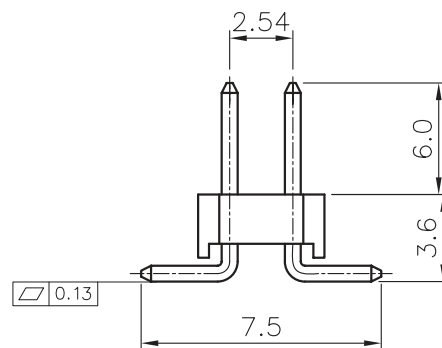
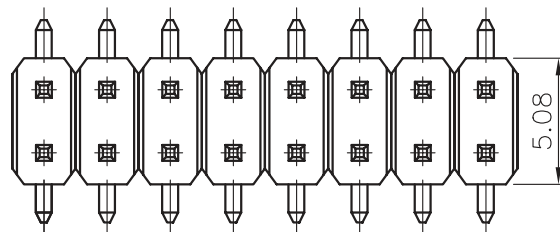
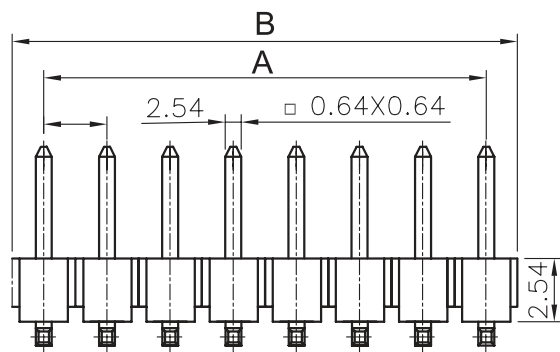
3

4

5



PCB LAYOUT - COMPONENT VIEW



TECHNICAL CHARACTERISTICS

MATERIAL
 INSULATOR: PA 6T
 FLAMMABILITY RATING: UL94-V0
 COLOR: BLACK
 CONTACT MATERIAL: COPPER ALLOY
 CONTACT TYPE: STAMPED
 CONTACT PLATING: GOLD
 QUALITY CLASS: 3 AS PER CECC 75 301-802
 PITCH: 2.54 MM

ENVIRONMENTAL
 OPERATING TEMPERATURE: -40 UP TO 125°C
 COMPLIANCE: LEAD FREE AND ROHS

ELECTRICAL
 CURRENT RATING: 3A
 WORKING VOLTAGE: 250 VAC
 INSULATOR RESISTANCE: >1000 MOHM
 DIELECTRIC WITHSTANDING VOLTAGE: 500 VAC/MN
 CONTACT RESISTANCE: 20 mOHM MAX

STANDARD
 CERTIFIED: E323964

SOLDERING
 JEDEC LEAD FREE REFLOW SOLDERING

PACKAGING
 TUBE

DIMENSION
 A = 2.54x (NB. PIN / 2 - 1)
 B = 2.54x (NB. PIN / 2)

RoHS Compliant

PROJECTION:



GENERAL TOLERANCE

.X = ± 0.2 .XX = ± 0.15 

APPROVAL: GMo

UNIT: MM

SCALE:

SHEET: 1/3



DRAW: PEARL

DESCRIPTION: 2.54MM DUAL SMT PIN HEADER

WERI PART NO: 610 0xx 211 21

SIZE

A4

REV	DATE	FILE	BY	PROJECTION:	GENERAL TOLERANCE	DESCRIPTION: 2.54MM DUAL SMT PIN HEADER	SIZE
K	10-MAY-16	TPK	AK	 APPROVAL: GMo	.X = ± 0.2 .XX = ± 0.15	 WERI PART NO: 610 0xx 211 21	A4
J	18-APR-16	TPK	AK				
I	03-NOV-11	PINNING	GG				
H	20-JUN-11	COPLANARITY	GG				
REV	DATE	FILE	BY				

1

2

3

4

5

Note:

1,Dimension

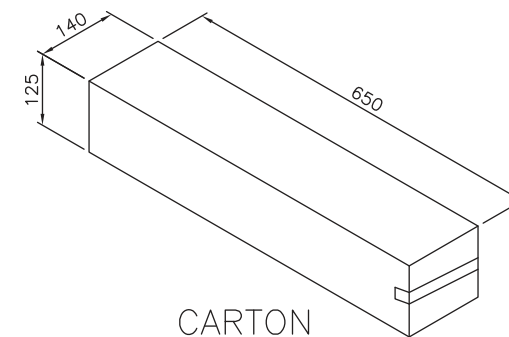
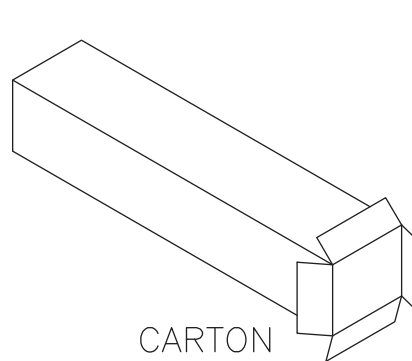
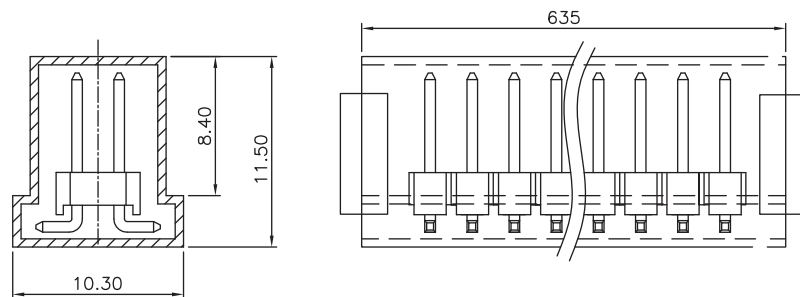
Tube Size: L=635mm

Carton Size:650(L)X140(W)X125(H) (mm)

2,Quantity:

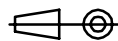
140 Tube/Carton

Pin	Pcs/Tube	Pcs/Carton	Pin	Pcs/Tube	Pcs/Carton
4	125	10000	44	11	880
6	81	6480	46	10	800
8	60	4800	48	10	800
10	48	3840	50	9	720
12	40	3200	52	9	720
14	34	2720	54	9	720
16	30	2400	56	8	640
18	27	2160	58	8	640
20	24	1920	60	8	640
22	22	1760	62	7	560
24	20	1600	64	7	560
26	18	1440	66	7	560
28	17	1360	68	7	560
30	16	1280	70	6	480
32	15	1200	72	6	480
34	14	1120	74	6	480
36	13	1040	76	6	480
38	12	960	78	6	480
40	12	960	80	6	480
42	11	880			



RoHS Compliant

PROJECTION:



GENERAL TOLERANCE

.X = +/- 0.2

.XX = +/- 0.15



APPROVAL: GMo

UNIT: MM

SCALE:

SHEET: 2/3

DRAW: PEARL

DESCRIPTION: 2.54MM DUAL SMT PIN HEADER

WERI PART NO: 610 0xx 211 21

SIZE

A4

REV	DATE	FILE	BY
G			
F			
E			
D			
C			
B			
A			

1

2

3

4

5

Cautions and Warnings:

This electronic component is designed and developed with the intention for use in general electronics equipments.

Before incorporating the components into any equipments in the field such as aerospace, aviation, nuclear control, submarine, transportation, (automotive control, train control, ship control), transportation signal, disaster prevention, medical, public information network etc. where higher safety and reliability are especially required or if there is possibility of direct damage or injury to human body, Würth Elektronik must be asked for a written approval.

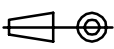

In addition, even electronic component in general electronic equipments, when used in electrical circuits that require high safety, reliability functions or performance, the sufficient reliability evaluation-check for the safety must be performed before by the user before usage.

A

B

C

RoHS Compliant

G				PROJECTION: 	GENERAL TOLERANCE .X = +/- 0.2 .XX = +/- 0.15		
F							
E							
D							
C				APPROVAL: JC	UNIT: MM	DESCRIPTION: DISCLAIMER	SIZE A4
B					SCALE:		
A	10-SEP-14	PDF	QL		SHEET: 3/3	WERI PART NO: DISCLAIMER	
REV	DATE	FILE	BY		DRAW: QL		

D