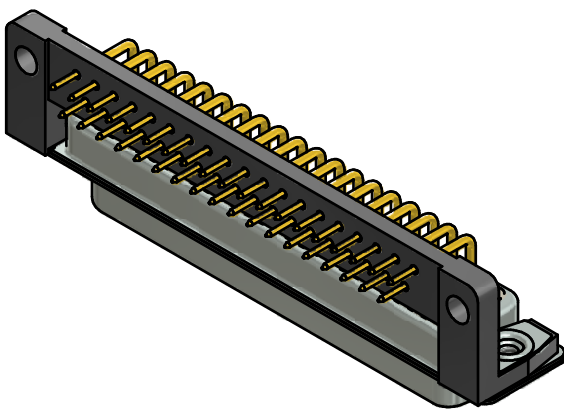


**NOTES:**

1. RoHS COMPLIANT
2. SUITABLE FOR REFLOW SOLDERING (SOLDER BATH TEMPERATURE 260°C FOR 5 SEC AND SOLDER PREHEAT 100°C FOR 30 SEC.)
3. METALSHELLS: STEEL; min. 315µin TIN over 40-80µin NICKEL
- (b) 4. INSULATORS: HIGH TEMPERATURE PLASTIC UL 94 V-0, BLACK
5. CONTACTS: COPPER ALLOY; PLATING (SEE PART.):
  - PLEASE ADD A for GOLD FLASH over NICKEL (PREFERRED TYPE)
  - PLEASE ADD B for 20µin HARD GOLD over min. 50µin NICKEL
  - PLEASE ADD C for 30µin HARD GOLD over min. 50µin NICKEL
 CONTACT TAILS PRETINNED
6. MOUNTING BRACKET: HIGH TEMPERATURE PLASTIC UL 94 V-0; BLACK
- (b) 7. THREADED INSERTS: COPPER ALLOY; min. 200µin TIN over 80µin NICKEL
8. GROUNDING BRACKETS: COPPER ALLOY; TIN PLATED
9. CAPACITANCE: 830pF±20%
10. DIELECTRIC WITHSTANDING VOLTAGE: 424 VDC
11. P.B.C. HOLE DRILLINGS ON SHEET 2
12. MAXIMUM TORQUE VALUE FOR THREAD: 6 in.LB
13. CONNECTOR IS PART MARKED: 242□11200X CONEC ABC



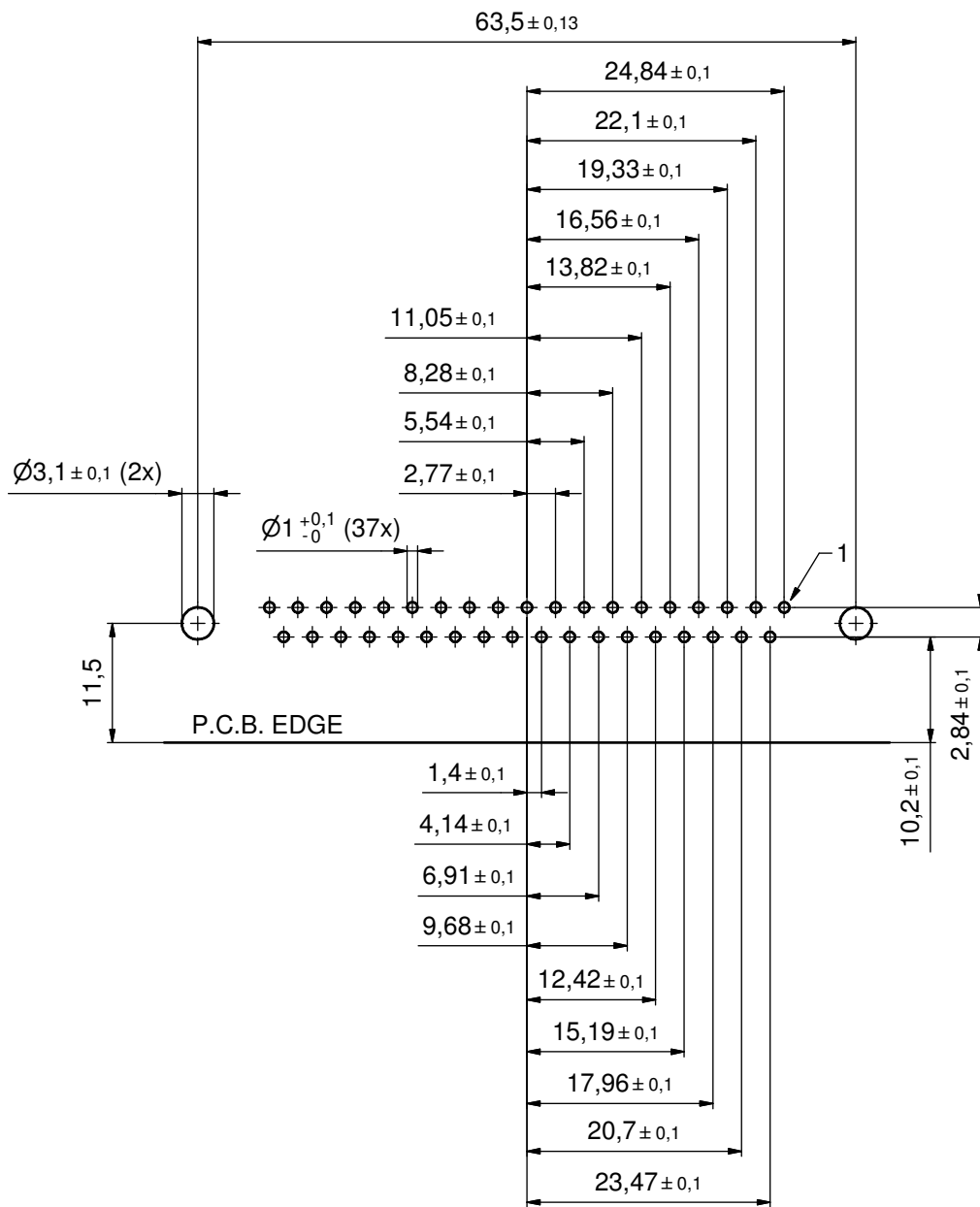
Directive 2002/95/EC RoHS compliant

THIS DRAWING MAY NOT BE COPIED OR REPRODUCED IN ANY WAY, AND MAY NOT BE PASSED ON TO A THIRD PARTY WITHOUT WRITTEN PERMISSION. OWNERSHIP AND COPYRIGHT OF CONEC GmbH

DO NOT ALTER CAD DRAWING BY HAND

		tolerance		dim. in mm	
		date	name		
		drawn	30.11.06	Schwenkler	
		appd.	30.11.06	Lehmenkühler	
		norm			
		d-old	24K1A951		
5 x b	A4636	04.02.2013	K.H.		
a	Original				
rev.	description	date	name		

scale:	2:1 (5:1)	
material:	SEE NOTES	
title:	<b>D-SUB FILTER FEMALE 90°</b> 37pos. SOLDER PIN ANGLED 0.370inch threaded insert, mounting bracket, grounding bracket	
dwg no:	24K1A1427 (b)	DIN-A3
part no:	(b) 242□11200X	(see note 5)
sh:	1/2	



P.C.B. HOLE DRILLINGS  
(P.C.B. TOP SIDE)

THIS DRAWING MAY NOT BE COPIED OR REPRODUCED IN ANY WAY, AND MAY NOT BE PASSED ON TO A THIRD PARTY WITHOUT WRITTEN PERMISSION. OWNERSHIP AND COPYRIGHT OF CONEC GmbH  DO NOT ALTER CAD DRAWING BY HAND				tolerance		scale: 3:1
					dim. in mm	material: SEE SHEET 1
				date	name	title: <b>P.C.B. HOLE DRILLINGS</b> D-SUB FILTER FEMALE 90° 37pos. 0.370inch threaded insert, mounting bracket, grounding bracket
				drawn	30.11.06 Schwenkler	
				appd.	30.11.06 Lehmenkühler	
				norm		
				d-old	24K1A951	dwg no:
a	Original		<b>CONEC</b> ®		24K1A1427	DIN-A3
rev.	description	date			name	part no: SEE SHEET 1