



MICROCHIP

**MCP1643 RGB LED Driver
Demonstration Board
User's Guide**

Note the following details of the code protection feature on Microchip devices:

- Microchip products meet the specification contained in their particular Microchip Data Sheet.
- Microchip believes that its family of products is one of the most secure families of its kind on the market today, when used in the intended manner and under normal conditions.
- There are dishonest and possibly illegal methods used to breach the code protection feature. All of these methods, to our knowledge, require using the Microchip products in a manner outside the operating specifications contained in Microchip's Data Sheets. Most likely, the person doing so is engaged in theft of intellectual property.
- Microchip is willing to work with the customer who is concerned about the integrity of their code.
- Neither Microchip nor any other semiconductor manufacturer can guarantee the security of their code. Code protection does not mean that we are guaranteeing the product as "unbreakable."

Code protection is constantly evolving. We at Microchip are committed to continuously improving the code protection features of our products. Attempts to break Microchip's code protection feature may be a violation of the Digital Millennium Copyright Act. If such acts allow unauthorized access to your software or other copyrighted work, you may have a right to sue for relief under that Act.

Information contained in this publication regarding device applications and the like is provided only for your convenience and may be superseded by updates. It is your responsibility to ensure that your application meets with your specifications. MICROCHIP MAKES NO REPRESENTATIONS OR WARRANTIES OF ANY KIND WHETHER EXPRESS OR IMPLIED, WRITTEN OR ORAL, STATUTORY OR OTHERWISE, RELATED TO THE INFORMATION, INCLUDING BUT NOT LIMITED TO ITS CONDITION, QUALITY, PERFORMANCE, MERCHANTABILITY OR FITNESS FOR PURPOSE. Microchip disclaims all liability arising from this information and its use. Use of Microchip devices in life support and/or safety applications is entirely at the buyer's risk, and the buyer agrees to defend, indemnify and hold harmless Microchip from any and all damages, claims, suits, or expenses resulting from such use. No licenses are conveyed, implicitly or otherwise, under any Microchip intellectual property rights unless otherwise stated.

Trademarks

The Microchip name and logo, the Microchip logo, dsPIC, FlashFlex, flexPWR, JukeBlox, KEELOQ, KEELOQ logo, Kleer, LANCheck, MediaLB, MOST, MOST logo, MPLAB, OptoLyzer, PIC, PICSTART, PIC³² logo, RightTouch, SpyNIC, SST, SST Logo, SuperFlash and UNI/O are registered trademarks of Microchip Technology Incorporated in the U.S.A. and other countries.

The Embedded Control Solutions Company and mTouch are registered trademarks of Microchip Technology Incorporated in the U.S.A.

Analog-for-the-Digital Age, BodyCom, chipKIT, chipKIT logo, CodeGuard, dsPICDEM, dsPICDEM.net, ECAN, In-Circuit Serial Programming, ICSP, Inter-Chip Connectivity, KleerNet, KleerNet logo, MiWi, MPASM, MPF, MPLAB Certified logo, MPLIB, MPLINK, MultiTRAK, NetDetach, Omniscent Code Generation, PICDEM, PICDEM.net, PICkit, PICtail, RightTouch logo, REAL ICE, SQI, Serial Quad I/O, Total Endurance, TSHARC, USBCheck, VariSense, ViewSpan, WiperLock, Wireless DNA, and ZENA are trademarks of Microchip Technology Incorporated in the U.S.A. and other countries.

SQTP is a service mark of Microchip Technology Incorporated in the U.S.A.

Silicon Storage Technology is a registered trademark of Microchip Technology Inc. in other countries.

GestIC is a registered trademark of Microchip Technology Germany II GmbH & Co. KG, a subsidiary of Microchip Technology Inc., in other countries.

All other trademarks mentioned herein are property of their respective companies.

© 2016, Microchip Technology Incorporated, Printed in the U.S.A., All Rights Reserved.

ISBN: 978-1-5224-0152-0

QUALITY MANAGEMENT SYSTEM
CERTIFIED BY DNV
== ISO/TS 16949 ==

Microchip received ISO/TS-16949:2009 certification for its worldwide headquarters, design and wafer fabrication facilities in Chandler and Tempe, Arizona; Gresham, Oregon and design centers in California and India. The Company's quality system processes and procedures are for its PIC® MCUs and dsPIC® DSCs, KEELOQ® code hopping devices, Serial EEPROMs, microperipherals, nonvolatile memory and analog products. In addition, Microchip's quality system for the design and manufacture of development systems is ISO 9001:2000 certified.

Object of Declaration: MCP1643 RGB LED Driver Demonstration Board

EU Declaration of Conformity

Manufacturer: Microchip Technology Inc.
2355 W. Chandler Blvd.
Chandler, Arizona, 85224-6199
USA

This declaration of conformity is issued by the manufacturer.

The development/evaluation tool is designed to be used for research and development in a laboratory environment. This development/evaluation tool is not a Finished Appliance, nor is it intended for incorporation into Finished Appliances that are made commercially available as single functional units to end users under EU EMC Directive 2004/108/EC and as supported by the European Commission's Guide for the EMC Directive 2004/108/EC (8th February 2010).

This development/evaluation tool complies with EU RoHS2 Directive 2011/65/EU.

This development/evaluation tool, when incorporating wireless and radio-telecom functionality, is in compliance with the essential requirement and other relevant provisions of the R&TTE Directive 1999/5/EC and the FCC rules as stated in the declaration of conformity provided in the module datasheet and the module product page available at www.microchip.com.

For information regarding the exclusive, limited warranties applicable to Microchip products, please see Microchip's standard terms and conditions of sale, which are printed on our sales documentation and available at www.microchip.com.

Signed for and on behalf of Microchip Technology Inc. at Chandler, Arizona, USA


Derek Carlson
VP Development Tools

12-Sep-14
Date

MCP1643 RGB LED Driver Demonstration Board User's Guide

NOTES:



MCP1643 RGB LED DRIVER DEMONSTRATION BOARD USER'S GUIDE

Table of Contents

Preface	7
Introduction.....	7
Document Layout	7
Conventions Used in This Guide.....	8
Warranty Registration.....	9
Recommended Reading.....	9
The Microchip Web Site	9
Customer Support	10
Revision History	10
Chapter 1. Product Overview	
1.1 Introduction	11
1.2 MCP1643 Device Overview	11
1.3 MCP1643 Device Key Features	11
1.4 MCP1643 RGB LED Driver Demonstration Board Overview	12
1.5 MCP1643 RGB LED Driver Demonstration Board Features	13
1.6 What the MCP1643 RGB LED Driver Demonstration Board Kit Includes	13
Chapter 2. Installation and Operation	
2.1 Introduction	15
2.2 Getting Started	16
2.3 Board Testing	16
Chapter 3. Flow Charts	
Appendix A. Schematics and Layouts	
A.1 Introduction	21
A.2 Board – Schematic	22
A.3 Board – Top Silk	23
A.4 Board – Top Silk and Copper	23
A.5 Board – Top Copper	23
A.6 Board – Bottom Copper	23
A.7 Board – Bottom Silk and Copper	23
A.8 Board – Bottom Silk	24
Appendix B. Bill of Materials (BOM)	25
Worldwide Sales and Service	26

MCP1643 RGB LED Driver Demonstration Board User's Guide

NOTES:



MCP1643 RGB LED DRIVER DEMONSTRATION BOARD USER'S GUIDE

Preface

NOTICE TO CUSTOMERS

All documentation becomes dated, and this manual is no exception. Microchip tools and documentation are constantly evolving to meet customer needs, so some actual dialogs and/or tool descriptions may differ from those in this document. Please refer to our web site (www.microchip.com) to obtain the latest documentation available.

Documents are identified with a “DS” number. This number is located on the bottom of each page, in front of the page number. The numbering convention for the DS number is “DSXXXXXXXXA”, where “XXXXXXXX” is the document number and “A” is the revision level of the document.

For the most up-to-date information on development tools, see the MPLAB® IDE online help. Select the Help menu, and then Topics to open a list of available online help files.

INTRODUCTION

This chapter contains general information that will be useful to know before using the MCP1643 RGB LED Driver Demonstration Board. Items discussed in this chapter include:

- Document Layout
- Conventions Used in This Guide
- Recommended Reading
- The Microchip Web Site
- Development Systems Customer Change Notification Service
- Customer Support
- Revision History

DOCUMENT LAYOUT

This document describes how to use the MCP1643 RGB LED Driver Demonstration Board. The document is organized as follows:

- **Chapter 1. “Product Overview”** – Important information about the MCP1643 RGB LED Driver Demonstration Board.
- **Chapter 2. “Installation and Operation”** – Includes instructions on installing and getting started with the MCP1643 RGB LED Driver Demonstration Board.
- **Chapter 3. “Flow Charts”** - Contains flow charts for the MCP1643 RGB LED Driver Demonstration Board.
- **Appendix A. “Schematics and Layouts”** – Shows the schematic and layout diagrams for the MCP1643 RGB LED Driver Demonstration Board.
- **Appendix B. “Bill of Materials (BOM)”** – Lists the parts used to build the MCP1643 RGB LED Driver Demonstration Board board.

CONVENTIONS USED IN THIS GUIDE

This manual uses the following documentation conventions:

DOCUMENTATION CONVENTIONS

Description	Represents	Examples
Arial font:		
Italic characters	Referenced books	<i>MPLAB[®] IDE User's Guide</i>
	Emphasized text	...is the <i>only</i> compiler...
Initial caps	A window	the Output window
	A dialog	the Settings dialog
	A menu selection	select Enable Programmer
Quotes	A field name in a window or dialog	"Save project before build"
Underlined, Italic text with right angle bracket	A menu path	<u><i>File>Save</i></u>
Bold characters	A dialog button	Click OK
	A tab	Click the Power tab
N'Rnnnn	A number in verilog format, where N is the total number of digits, R is the radix and n is a digit.	4'b0010, 2'hF1
Text in angle brackets < >	A key on the keyboard	Press <Enter>, <F1>
Courier New font:		
Plain Courier New	Sample source code	#define START
	Filenames	autoexec.bat
	File paths	c:\mcc18\h
	Keywords	_asm, _endasm, static
	Command-line options	-Opa+, -Opa-
	Bit values	0, 1
	Constants	0xFF, 'A'
Italic Courier New	A variable argument	<i>file.o</i> , where <i>file</i> can be any valid filename
Square brackets []	Optional arguments	mcc18 [options] <i>file</i> [options]
Curly brackets and pipe character: { }	Choice of mutually exclusive arguments; an OR selection	errorlevel {0 1}
Ellipses...	Replaces repeated text	var_name [, var_name...]
	Represents code supplied by user	void main (void) { ... }

RECOMMENDED READING

This user's guide describes how to use the MCP1643 RGB LED Driver Demonstration Board. Other useful documents are listed below. The following Microchip documents are available and recommended as supplemental reference resources:

- **MCP1643 Data Sheet – “1 MHz Low Start-up Voltage Synchronous Boost LED Constant Current Regulator” (DS20005208)**
- **PIC16F1455 Data Sheet – “USB Port Power Controller with Charger Emulation” (DS200005346)**

THE MICROCHIP WEB SITE

Microchip provides online support via our web site at www.microchip.com. This web site is used as a means to make files and information easily available to customers. Accessible by using your favorite Internet browser, the web site contains the following information:

- **Product Support** – Data sheets and errata, application notes and sample programs, design resources, user's guides and hardware support documents, latest software releases and archived software
- **General Technical Support** – Frequently Asked Questions (FAQs), technical support requests, online discussion groups, Microchip consultant program member listing
- **Business of Microchip** – Product selector and ordering guides, latest Microchip press releases, listing of seminars and events, listings of Microchip sales offices, distributors and factory representatives.

DEVELOPMENT SYSTEMS CUSTOMER CHANGE NOTIFICATION SERVICE

Microchip's customer notification service helps keep customers current on Microchip products. Subscribers will receive e-mail notification whenever there are changes, updates, revisions or errata related to a specified product family or development tool of interest.

To register, access the Microchip web site at www.microchip.com, click on Customer Change Notification and follow the registration instructions.

The Development Systems product group categories are:

- **Compilers** – The latest information on Microchip C compilers, assemblers, linkers and other language tools. These include all MPLAB C compilers; all MPLAB assemblers (including MPASM™ assembler); all MPLAB linkers (including MPLINK™ object linker); and all MPLAB librarians (including MPLIB™ object librarian).
- **Emulators** – The latest information on Microchip in-circuit emulators. This includes the MPLAB REAL ICE™ and MPLAB ICE 2000 in-circuit emulators.
- **In-Circuit Debuggers** – The latest information on the Microchip in-circuit debuggers. This includes MPLAB ICD 3 in-circuit debuggers and PICKit™ 3 debug express.
- **MPLAB® IDE** – The latest information on Microchip MPLAB IDE, the Windows® Integrated Development Environment for development systems tools. This list is focused on the MPLAB IDE, MPLAB IDE Project Manager, MPLAB Editor and MPLAB SIM simulator, as well as general editing and debugging features.
- **Programmers** – The latest information on Microchip programmers. These include production programmers such as MPLAB REAL ICE in-circuit emulator, MPLAB ICD 3 in-circuit debugger and MPLAB PM3 device programmers. Also included are nonproduction development programmers such as PICSTART® Plus and PICKit 2 and 3.

CUSTOMER SUPPORT

Users of Microchip products can receive assistance through several channels:

- Distributor or Representative
- Local Sales Office
- Field Application Engineer (FAE)
- Technical Support

Customers should contact their distributor, representative or field application engineer (FAE) for support. Local sales offices are also available to help customers. A listing of sales offices and locations is included in the back of this document.

Technical support is available through the web site at:

<http://www.microchip.com/support>.

REVISION HISTORY

Revision A (January 2016)

- Original release of this document.

Chapter 1. Product Overview

1.1 INTRODUCTION

The MCP1643 is a compact, high-efficiency, fixed frequency, step-up DC-DC converter optimized as an LED constant current generator. The device provides an easy-to-use power supply solution, with a minimum number of external components for applications powered by one-cell, two-cell Alkaline, NiCd or NiMH batteries.

This chapter provides an overview of the MCP1643 RGB LED Driver Demonstration Board and covers the following topics:

- MCP1643 Device Overview
- MCP1643 Device Key Features
- MCP1643 RGB LED Driver Demonstration Board Overview
- MCP1643 RGB LED Driver Demonstration Board Features
- What the MCP1643 RGB LED Driver Demonstration Board Kit Includes

1.2 MCP1643 DEVICE OVERVIEW

The MCP1643 is a PWM-only device that operates at a fixed 1 MHz switching frequency. The device has an operating input voltage range from 0.5V to 5V ($V_{IN} < V_{LED}$), with a 0.65V start-up voltage.

For applications that require dimming, the LED can be turned on and off with a variable duty cycle applied to the EN pin. The maximum dimming frequency is only limited by the internal soft-start of 240 μ s. The device is available in 8-lead MSOP and 8-lead 2x3 mm DFN packages.

1.3 MCP1643 DEVICE KEY FEATURES

- 1.8A typical peak input current limit
- Up to 550 mA LED load current
- Low start-up voltage: 0.65V (typical, 25 mA LED current, for $V_{IN} > 2.2V$)
- Low operating input voltage: down to 0.5V
- Maximum input voltage $< V_{LED} < 5.0V$
- Maximum output voltage: 5V
- Overvoltage protection (5V)
- Low reference voltage:
 - $V_{FB} = 120$ mV
 - Minimal power loss on sense resistor
- Pulse-Width Modulation mode operation (1 MHz)
- Internal synchronous rectifier
- Internal compensation
- Inrush current limiting
- Internal soft start (240 μ s typical)
- Shutdown (EN=GND):
 - True load disconnect
 - Dimming control by variable duty cycle

MCP1643 RGB LED Driver Demonstration Board User's Guide

- Shutdown current: 1.2 μA (typical)
- Overtemperature protection (+150°C, with +25°C hysteresis)
- Packages: 8-lead MSOP and 8-lead 2x3 mm DFN

Figure 1-1 illustrates the typical application with one battery.

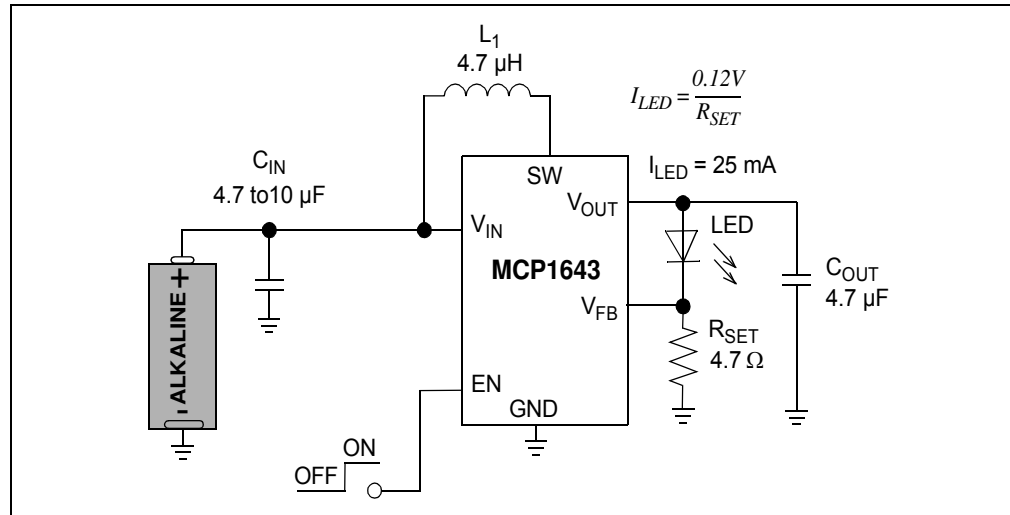


FIGURE 1-1: Typical MCP1643 Boost Converter Single Cell Battery Input.

1.4 MCP1643 RGB LED DRIVER DEMONSTRATION BOARD OVERVIEW

The MCP1643 RGB LED Driver Demonstration Board is used to demonstrate Microchip Technology's MCP1643 device in a boost converter application supplied by one AA battery, or from an external voltage source, which drives each color of the RGB LED separately at a constant current of 350 mA. A PIC[®] microcontroller drives each color of the RGB LED at a frequency of 70 Hz. The MCP1643 RGB LED Driver Demonstration Board was developed to help engineers reduce product design cycle time.

The intensity of each color of the LED can be adjusted using individual potentiometers for each color. The RGB LED is driven by a microcontroller with 3 PWM signals, and by modifying the duty cycle of each signal, the brightness of each color can be altered.

The MCP1643 RGB LED Driver Demonstration Board is controlled using two buttons:

- **Start:** to enable the MCP1643 and start the microcontroller
- **Stop/Demo:** to stop or run a demonstration program

When disabled, the MCP1643 disconnects the path from input to output for true-disconnect. In this state, the current consumed from the battery is typical 1.2 μA .

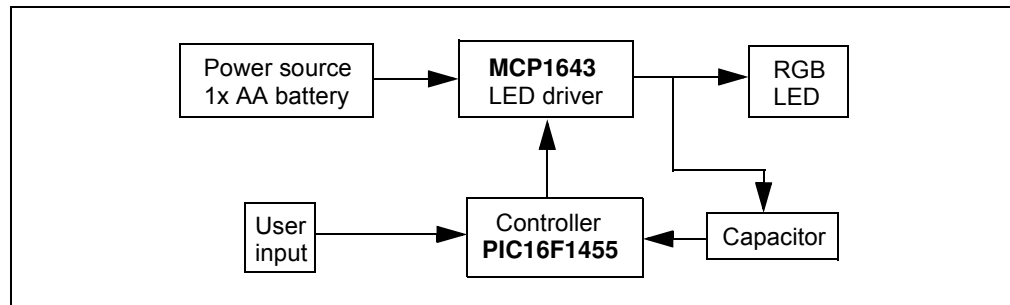


FIGURE 1-2: MCP1643 RGB LED Driver Demonstration Board Block Diagram.

1.5 MCP1643 RGB LED DRIVER DEMONSTRATION BOARD FEATURES

- Powered by one-cell Alkaline, NiCD, or NiMH battery or by external power supply
- Input voltage range (V_{IN}): 0.65V to 2V, with $V_{IN} < V_{OUT}$, after start-up
- Start-up voltage: 0.8V at full load
- MCP1643 PWM switching frequency: 1 MHz
- RGB multiplexing frequency: 70 Hz
- Fixed output current for all colors: 350 mA
- **Start/Stop** functions with push buttons
- Demonstration program

1.6 WHAT THE MCP1643 RGB LED DRIVER DEMONSTRATION BOARD KIT INCLUDES

The MCP1643 RGB LED Driver Demonstration Board Kit includes the following items:

- MCP1643 RGB LED Driver Demonstration Board (ADM00612)
- Important Information Sheet

MCP1643 RGB LED Driver Demonstration Board User's Guide

NOTES:

Chapter 2. Installation and Operation

2.1 INTRODUCTION

The MCP1643 RGB LED Driver Demonstration Board has been developed for applications that require driving an LED from a low-voltage source. The low-voltage technology developed by Microchip Technology allows the device to start up from a low 0.65V input voltage without output overshoot. Also, the device is capable of achieving high efficiency by integrating the low resistance N-Channel boost switch and the synchronous P-Channel switch, and by using a low-voltage reference of 0.120V.

Figure 2-1 illustrates the components from the front view.

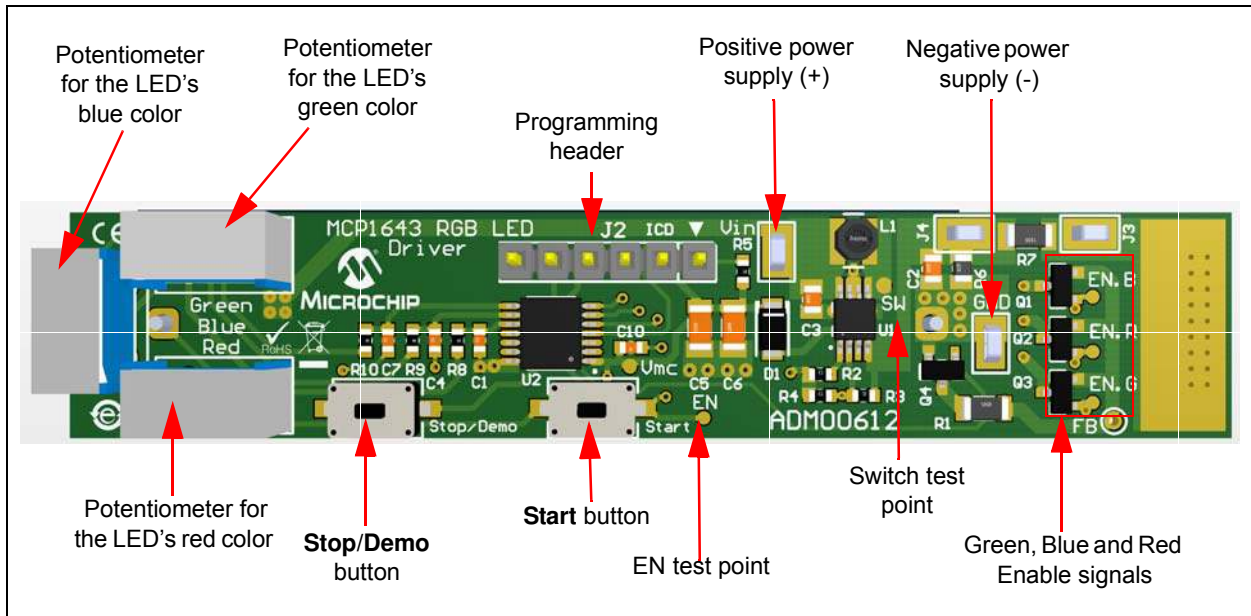


FIGURE 2-1: MCP1643 RGB LED Driver Demonstration Board - Front View.

Figure 2-2 illustrates the components from the back view.

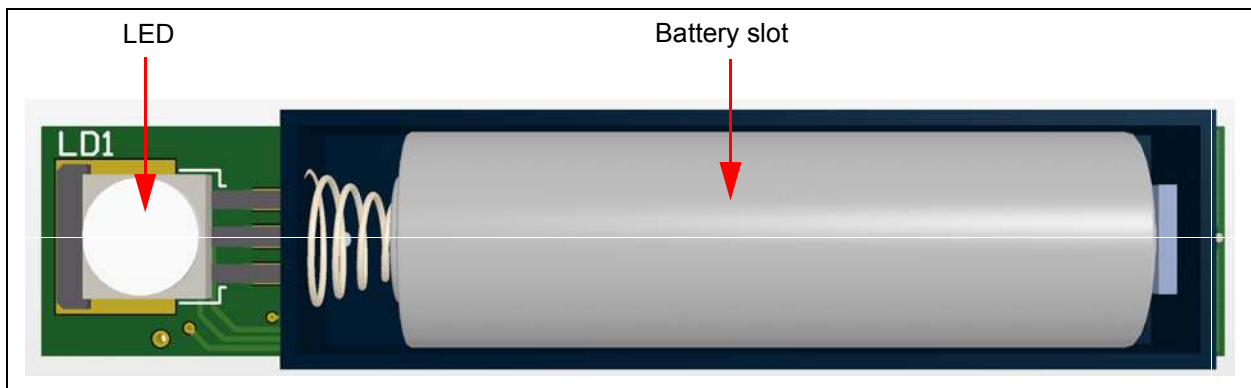


FIGURE 2-2: MCP1643 RGB LED Driver Demonstration Board - Back View.

2.2 GETTING STARTED

The MCP1643 RGB LED Driver Demonstration Board is fully assembled and tested to evaluate and demonstrate the MCP1643 product operating with an external PWM signal. This board requires the use of an external power supply or a AA battery.

The package selected for the MCP1643 is the MSOP-8.

2.2.1 Powering the MCP1643 RGB LED Driver Demonstration Board

Soldered test points are available for input voltage connections. The maximum input voltage should not exceed 2V due to the forward voltage of the LED's red color of 2.1V. The forward voltage for the blue and green colors is 3.5V.

After connecting an external power supply or an AA battery, the board enters the Shutdown mode and only consumes 1.2 μ A of current. To start the board, press the **Start** push-button. The second push-button has two functions: a short press shuts down the board, while a long press of more than 0.5 sec puts the board in a temporal demonstration state.

2.3 BOARD TESTING

Follow these steps to test the board functionalities:

1. Connect the input supply as shown in [Figure 2-3](#), or connect a AA battery in the battery slot on the back of the board. Please observe the polarity to avoid board damage.
2. Press the **Start** push-button to enable the converter. The board will run a start-up demonstration program with all colors at low brightness, after which the user will be able to control the brightness. It is recommended to avoid looking directly into the LED, to prevent eye damage.
3. Change each color brightness by using the three potentiometers marked Red, Green and Blue, corresponding to each color of the RGB LED.
4. To run the demonstration program, press the **Stop/Demo** push-button for 0.5s.
5. To stop the MCP1643 RGB LED Driver Demonstration Board, short-press the **Stop/Demo** button.
6. Additional test points are available to visualize different signals (FB, output current, EN, SW).

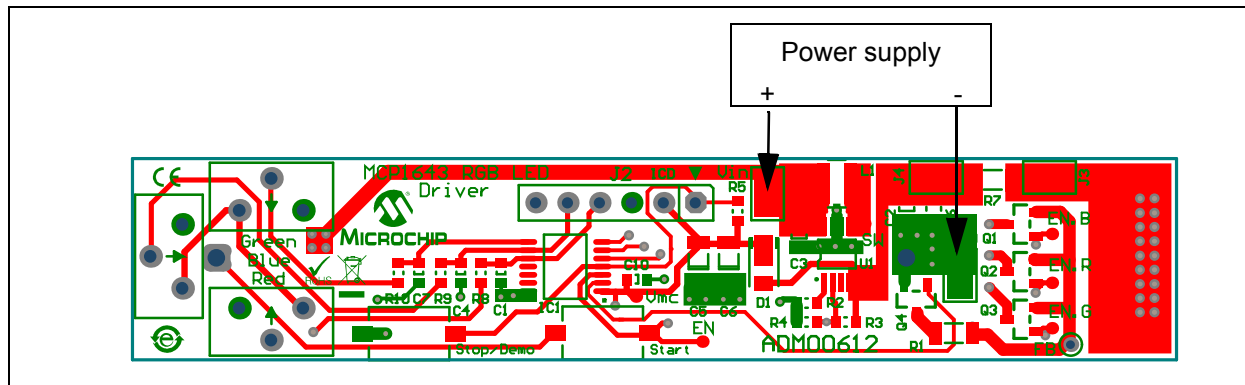


FIGURE 2-3: MCP1643 RGB LED Driver Demonstration Board Power Supplies.

A 0 Ω (R7) resistor is used for bench testing. By removing R7, the soldered test points can be used to create a wire loop and visualize the current through the LED by using an oscilloscope current probe.

2.3.1 How does the MCP1643 RGB LED Driver Demonstration Board Work?

When the **Start** button is pressed, the MCP1643 RGB LED Driver Demonstration Board receives an EN pulse and the device starts switching. When the output voltage rises above 2.3V, the microcontroller starts, enables the MCP1643 and controls the RGB LED in order to power each color independently (see [Figure 2-4](#)). The amount of time each LED is ON is set by the user through the three potentiometers.

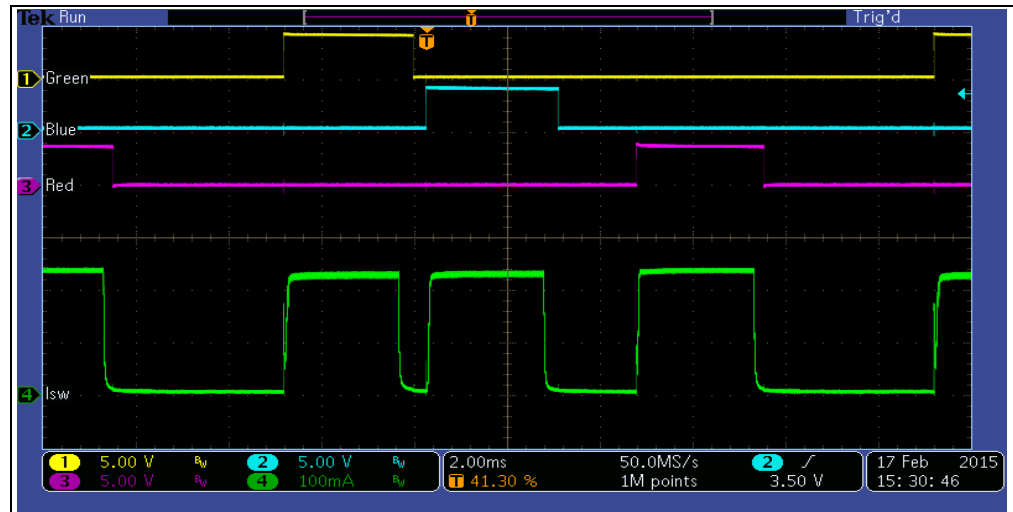


FIGURE 2-4: RGB LED Enable Signals and LED Current.

An idle time is necessary between each color to ensure that the output voltage of the MCP1643 is below the LED voltage, otherwise the LED can be damaged by a current spike caused by the output capacitor discharge. The idle time can be optimized for different LED voltage differences to increase performance.

2.3.2 MCP1643 as a Voltage Source

In order for the MCP1643 RGB LED Driver Demonstration Board to be a single-switcher design, the MCP1643 is also used as a voltage source for the control system; the PIC16F1455 turns on the MCP1643 for a brief period without any LED connected, but with a resistor divider on V_{OUT} and Feedback. This forces the MCP1643 to increase the output voltage to 4V. This voltage is stored (through a diode) in a capacitor in order to power the control system while the MCP1643 is driving the LEDs. The diode is necessary because the energy stored in the capacitors would otherwise uncontrollably discharge into the LED.

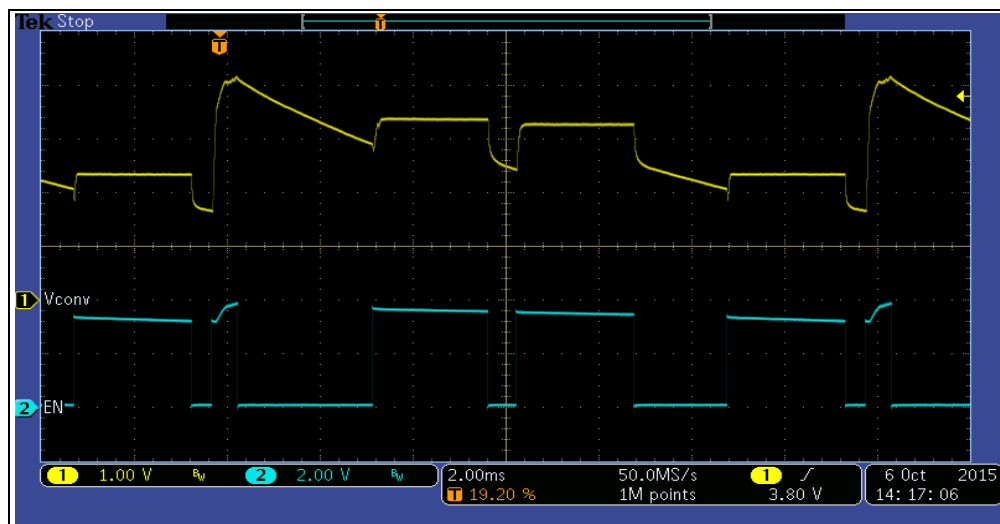


FIGURE 2-5: PIC16F1455 Output Voltage and Enable Signal

2.3.3 Programming the PIC16F1455 Microcontroller

The board comes factory-programmed with the demonstration program, and features a 6-pin 2.54 mm header for future programming. A PICKIT™ 3 In-Circuit Debugger may be connected to J3 to program the MCP1643 RGB LED Driver Demonstration Board.

The MPLAB® XC8 C Compiler is used to compile the source code and create the `hex` file to be used with the reference board. The XC8 compiler is available for download on the Microchip web site. The source code is rich in comments and helps the user understand the functionality.

Note: In order to program the MCP1643 RGB LED Driver Demonstration Board, all potentiometers must be set to the middle position. This is necessary because the potentiometers use the same data lines as the PICKIT 3.

Chapter 3. Flow Charts

This chapter shows the flow charts for the MCP1643 RGB LED Driver Demonstration Board.

Figure 3-1 depicts the Main routine flow chart.

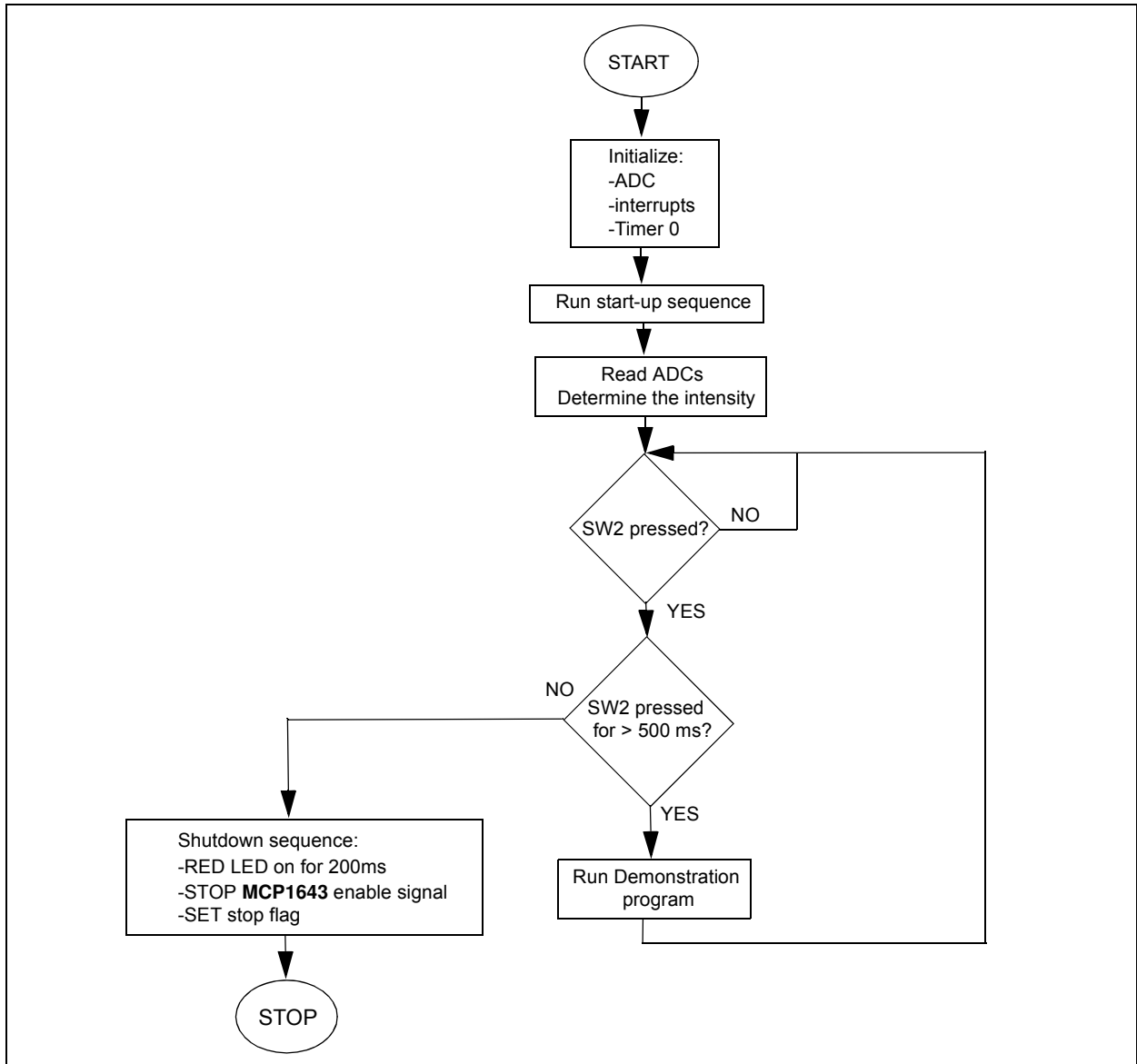


FIGURE 3-1: Main Code Sequence.

Figure 3-2 depicts the Interrupt routine flow chart.

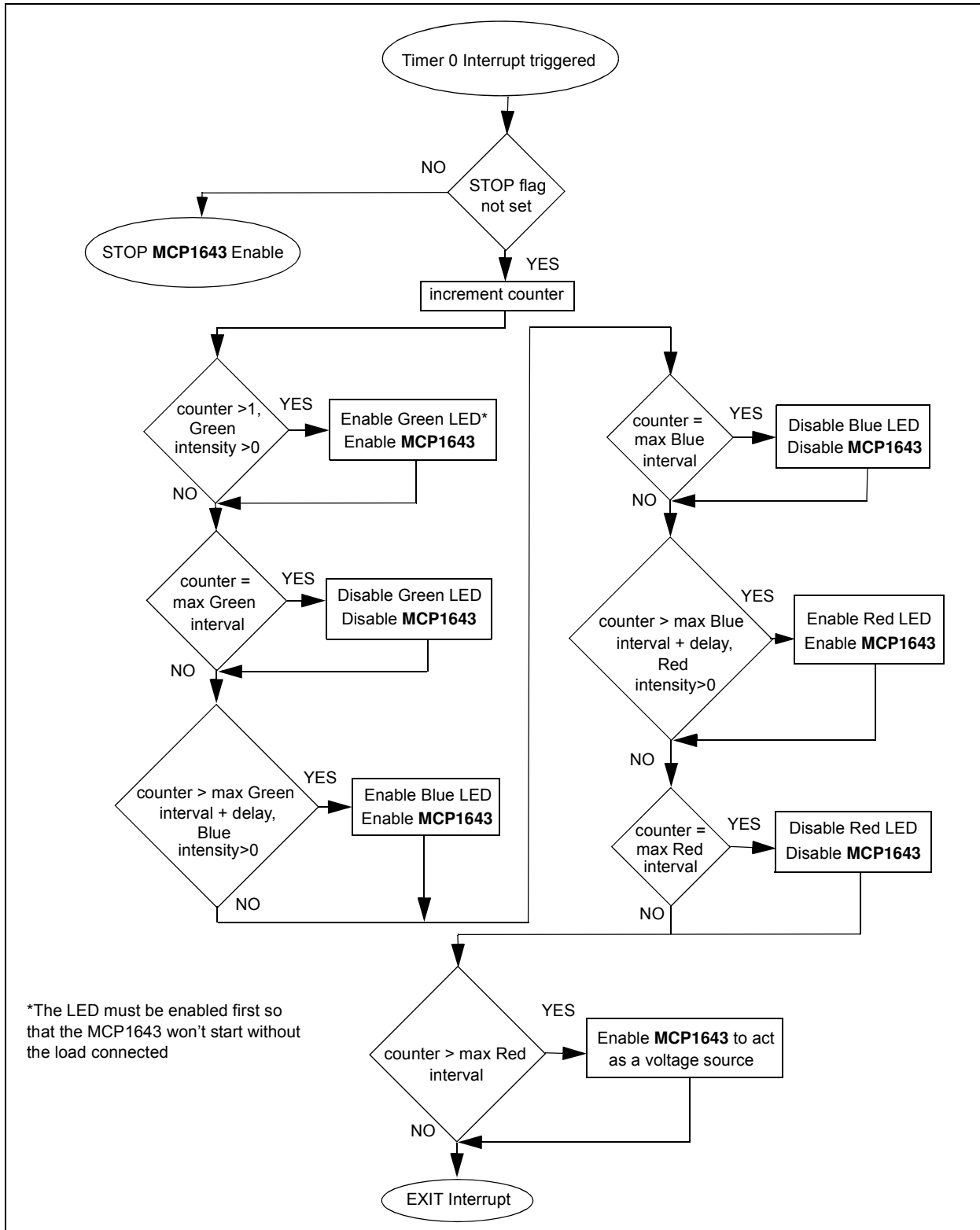


FIGURE 3-2: Interrupt Code Sequence.



MCP1643 RGB LED DRIVER DEMONSTRATION BOARD USER'S GUIDE

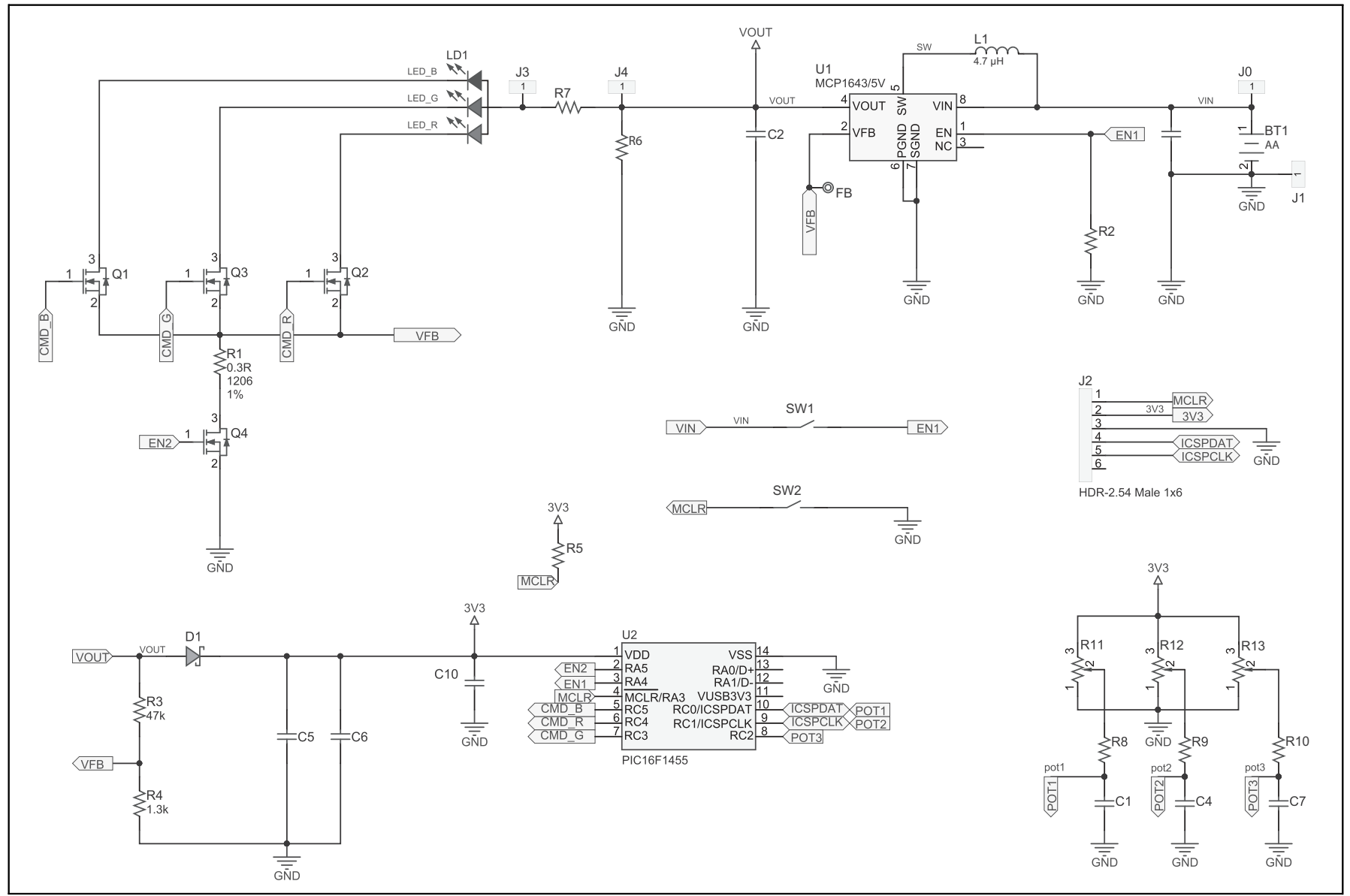
Appendix A. Schematics and Layouts

A.1 INTRODUCTION

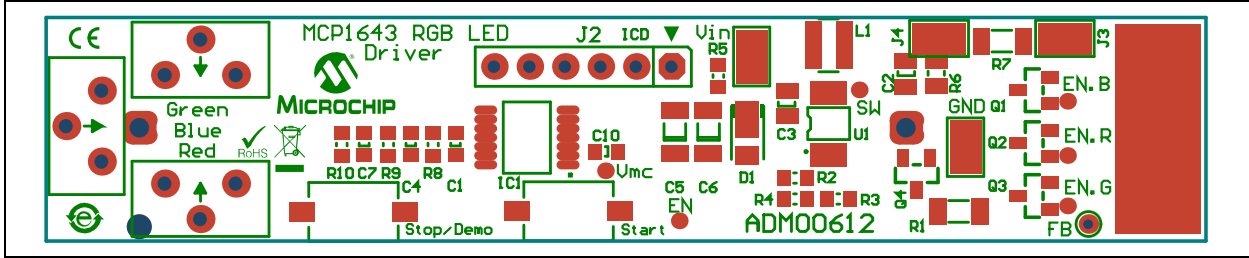
This appendix contains the following schematics and layouts for the MCP1643 RGB LED Driver Demonstration Board:

- Board – Schematic
- Board – Top Silk
- Board – Top Silk and Copper
- Board – Top Copper
- Board – Bottom Copper
- Board – Bottom Silk and Copper
- Board – Bottom Silk

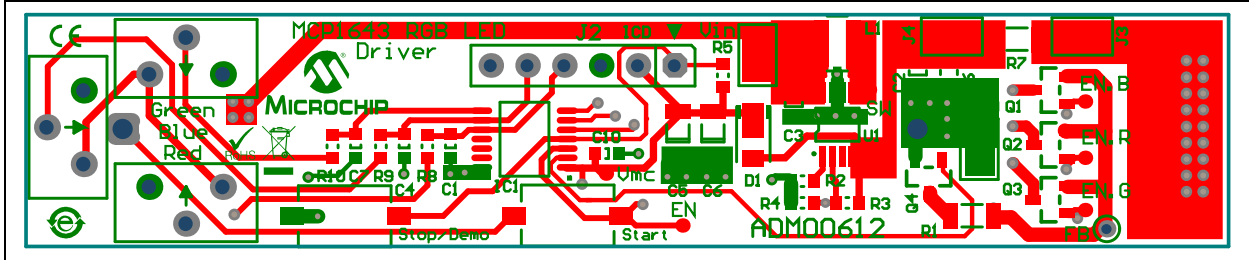
A.2 BOARD – SCHEMATIC



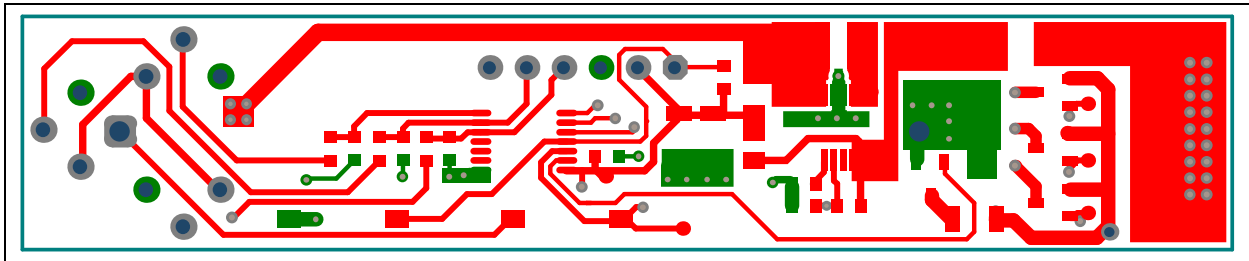
A.3 BOARD – TOP SILK



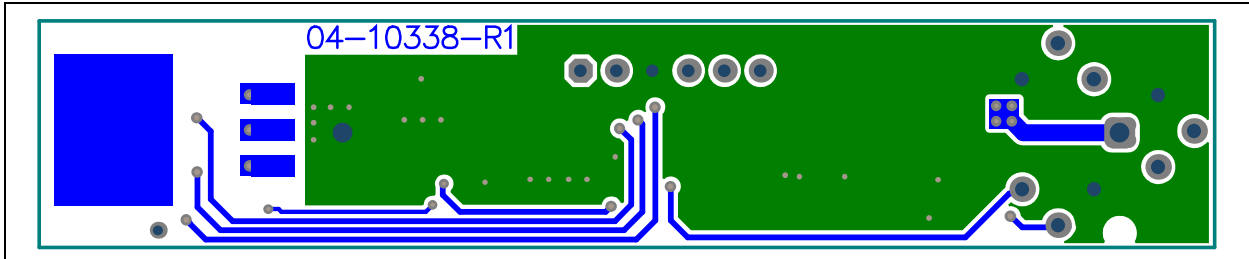
A.4 BOARD – TOP SILK AND COPPER



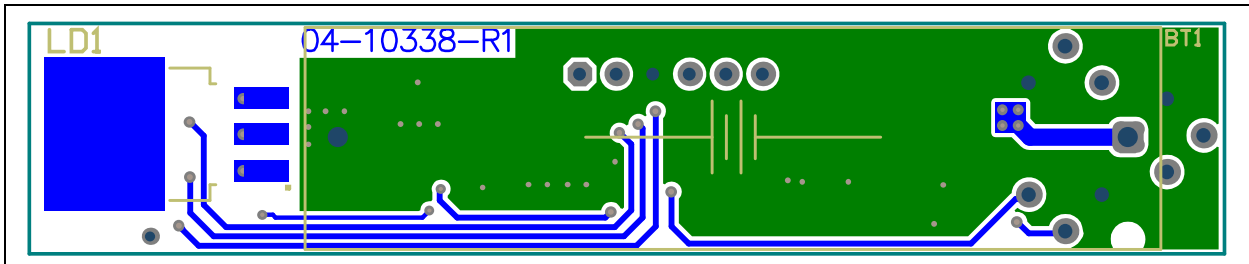
A.5 BOARD – TOP COPPER



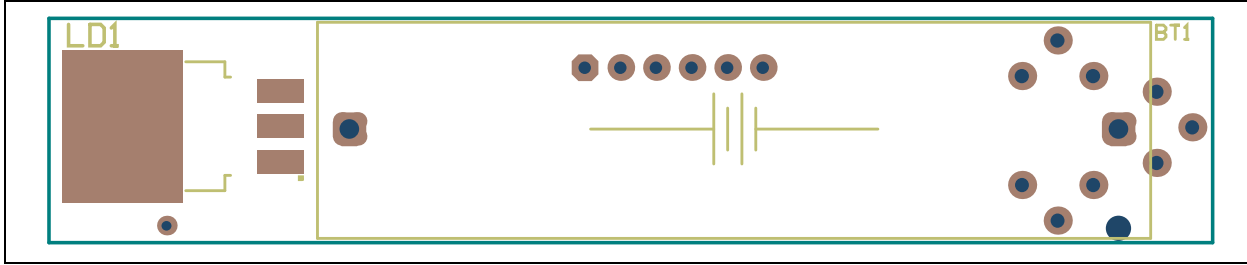
A.6 BOARD – BOTTOM COPPER



A.7 BOARD – BOTTOM SILK AND COPPER



A.8 BOARD – BOTTOM SILK





MCP1643 RGB LED DRIVER DEMONSTRATION BOARD USER'S GUIDE

Appendix B. Bill of Materials (BOM)

TABLE B-1: BILL OF MATERIALS (BOM)

Qty.	Designator	Description	Manufacturer	Part Number
1	BT1	Battery holder 1 TH AA	Keystone Electronics Corp.	1028
0	C1	Capacitor ceramic. 10000 pF 50V 20% X7R SMD 0603 - DO NOT POPULATE	TDK Corporation	C1608X7R1H103M
2	C2, C3	Capacitor ceramic 10 μ F 16V 20% Y5V SMD 0805	TDK Corporation	C2012Y5V1C106Z
0	C4, C7	Capacitor ceramic 10000 pF 50V 20% X7R SMD 0603 - DO NOT POPULATE	AVX Corporation	06035C103KAT2A
2	C5, C6	Capacitor ceramic 100 μ F 10V 20% X5R SMD 1206	TDK Corporation	C3216X5R1A107M160AC
1	C10	Capacitor ceramic 1 μ F 16V 10% X5R SMD 0603	AVX Corporation	0603YD105KAT2A
1	D1	Diode Schottky PD3S140 490 mV 1A 40V POWERDI-123	Diodes [®] Incorporated	PD3S140-7
4	J0, J1, J3, J4	Conn. TP loop tin SMD	Harwin Plc.	S1751-46R
1	J2	Conn. header-2.54 male 1x6 tin 5.84 MH TH vertical - DO NOT POPULATE	Sullins Connector Solutions	PEC06SAAN
1	L1	Inductor choke 4.7 μ H 1.35A 20% SMD L2.8W2.8H2.8	Würth Elektronik	744025004
1	LD1	Diode LED tri. red, green, blue 2.1V, 3.5V, 3.5V 300 mA, 350 mA, 350 mA SMD TO-252-3	Lumex [®] Inc.	SML-LX1610RGBW/A
1	PCB1	MCP1643 - Printed Circuit Board	—	04-10346-1
4	Q1, Q2, Q3, Q4	Transistor FET N-Channel IRLML2402 20V 1.2A 540 mW SOT-23-3	Infineon Technologies AG	IRLML2402TRPBF
1	R1	Resistor TKF 0.3R 1% 1/4W SMD 1206	Bourns [®] , Inc.	CRL1206-JW-R300ELF
2	R2, R5	Resistor TKF 10 k Ω 0.1% 1/10W SMD 0603	Panasonic [®] - ECG	ERA-3AEB103V
1	R3	Resistor TKF 47 k Ω 5% 1/10W SMD 0603	Panasonic - ECG	ERA-3AEB103V
1	R4	Resistor TKF 1.3 k Ω 5% 1/10W SMD 0603	Panasonic - ECG	ERJ-3GEYJ132V
1	R6	Resistor TKF 1 k Ω 1% 1/16W SMD 0805	Stackpole Electronics Inc.	RMCF 1/10 1K 1% R
1	R7	Resistor TKF 0R 1% 1/4W SMD 1206	TT Electronics Plc.	WCR1206-R005JI
3	R8, R9, R10	Resistor TKF 0R 1/10W SMD 0603	NIC Components Corp.	3386X-1-103TLF
3	R11, R12, R13	Resistor trimmer Cermet 10K 10% 500 mW TH 3386X	Bourns Inc.	3386X-1-103TLF
2	SW1, SW2	Switch tactile spst. 12V 50 mA RS285G05A2URT SMD	C&K Components	RS285G05A2URT
1	U1	Microchip Analog switcher boost 5V MCP1643T-I/MS MSOP-8	Microchip Technology, Inc.	MCP1643T-I/MS
1	U2	IC MCU 8 bit 14 KB flash 14-lead TSSOP	Microchip Technology, Inc.	PIC16F1455-E/ST

Note 1: The components listed in this Bill of Materials are representative of the PCB assembly. The released BOM used in manufacturing uses all RoHS-compliant components.



MICROCHIP

Worldwide Sales and Service

AMERICAS

Corporate Office

2355 West Chandler Blvd.
Chandler, AZ 85224-6199
Tel: 480-792-7200
Fax: 480-792-7277
Technical Support:
<http://www.microchip.com/support>

Web Address:
www.microchip.com

Atlanta

Duluth, GA
Tel: 678-957-9614
Fax: 678-957-1455

Austin, TX

Tel: 512-257-3370

Boston

Westborough, MA
Tel: 774-760-0087
Fax: 774-760-0088

Chicago

Itasca, IL
Tel: 630-285-0071
Fax: 630-285-0075

Cleveland

Independence, OH
Tel: 216-447-0464
Fax: 216-447-0643

Dallas

Addison, TX
Tel: 972-818-7423
Fax: 972-818-2924

Detroit

Novi, MI
Tel: 248-848-4000

Houston, TX

Tel: 281-894-5983

Indianapolis

Noblesville, IN
Tel: 317-773-8323
Fax: 317-773-5453

Los Angeles

Mission Viejo, CA
Tel: 949-462-9523
Fax: 949-462-9608

New York, NY

Tel: 631-435-6000

San Jose, CA

Tel: 408-735-9110

Canada - Toronto

Tel: 905-673-0699
Fax: 905-673-6509

ASIA/PACIFIC

Asia Pacific Office

Suites 3707-14, 37th Floor
Tower 6, The Gateway
Harbour City, Kowloon

Hong Kong

Tel: 852-2943-5100
Fax: 852-2401-3431

Australia - Sydney

Tel: 61-2-9868-6733
Fax: 61-2-9868-6755

China - Beijing

Tel: 86-10-8569-7000
Fax: 86-10-8528-2104

China - Chengdu

Tel: 86-28-8665-5511
Fax: 86-28-8665-7889

China - Chongqing

Tel: 86-23-8980-9588
Fax: 86-23-8980-9500

China - Dongguan

Tel: 86-769-8702-9880

China - Hangzhou

Tel: 86-571-8792-8115
Fax: 86-571-8792-8116

China - Hong Kong SAR

Tel: 852-2943-5100
Fax: 852-2401-3431

China - Nanjing

Tel: 86-25-8473-2460
Fax: 86-25-8473-2470

China - Qingdao

Tel: 86-532-8502-7355
Fax: 86-532-8502-7205

China - Shanghai

Tel: 86-21-5407-5533
Fax: 86-21-5407-5066

China - Shenyang

Tel: 86-24-2334-2829
Fax: 86-24-2334-2393

China - Shenzhen

Tel: 86-755-8864-2200
Fax: 86-755-8203-1760

China - Wuhan

Tel: 86-27-5980-5300
Fax: 86-27-5980-5118

China - Xian

Tel: 86-29-8833-7252
Fax: 86-29-8833-7256

ASIA/PACIFIC

China - Xiamen

Tel: 86-592-2388138
Fax: 86-592-2388130

China - Zhuhai

Tel: 86-756-3210040
Fax: 86-756-3210049

India - Bangalore

Tel: 91-80-3090-4444
Fax: 91-80-3090-4123

India - New Delhi

Tel: 91-11-4160-8631
Fax: 91-11-4160-8632

India - Pune

Tel: 91-20-3019-1500

Japan - Osaka

Tel: 81-6-6152-7160
Fax: 81-6-6152-9310

Japan - Tokyo

Tel: 81-3-6880-3770
Fax: 81-3-6880-3771

Korea - Daegu

Tel: 82-53-744-4301
Fax: 82-53-744-4302

Korea - Seoul

Tel: 82-2-554-7200
Fax: 82-2-558-5932 or
82-2-558-5934

Malaysia - Kuala Lumpur

Tel: 60-3-6201-9857
Fax: 60-3-6201-9859

Malaysia - Penang

Tel: 60-4-227-8870
Fax: 60-4-227-4068

Philippines - Manila

Tel: 63-2-634-9065
Fax: 63-2-634-9069

Singapore

Tel: 65-6334-8870
Fax: 65-6334-8850

Taiwan - Hsin Chu

Tel: 886-3-5778-366
Fax: 886-3-5770-955

Taiwan - Kaohsiung

Tel: 886-7-213-7828

Taiwan - Taipei

Tel: 886-2-2508-8600
Fax: 886-2-2508-0102

Thailand - Bangkok

Tel: 66-2-694-1351
Fax: 66-2-694-1350

EUROPE

Austria - Wels

Tel: 43-7242-2244-39
Fax: 43-7242-2244-393

Denmark - Copenhagen

Tel: 45-4450-2828
Fax: 45-4485-2829

France - Paris

Tel: 33-1-69-53-63-20
Fax: 33-1-69-30-90-79

Germany - Dusseldorf

Tel: 49-2129-3766400

Germany - Karlsruhe

Tel: 49-721-625370

Germany - Munich

Tel: 49-89-627-144-0
Fax: 49-89-627-144-44

Italy - Milan

Tel: 39-0331-742611
Fax: 39-0331-466781

Italy - Venice

Tel: 39-049-7625286

Netherlands - Drunen

Tel: 31-416-690399
Fax: 31-416-690340

Poland - Warsaw

Tel: 48-22-3325737

Spain - Madrid

Tel: 34-91-708-08-90
Fax: 34-91-708-08-91

Sweden - Stockholm

Tel: 46-8-5090-4654

UK - Wokingham

Tel: 44-118-921-5800
Fax: 44-118-921-5820

07/14/15