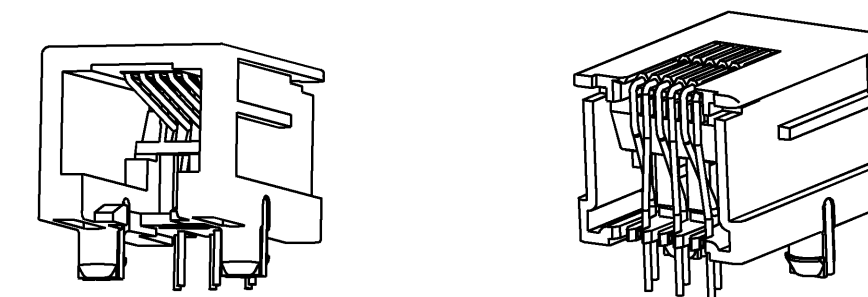
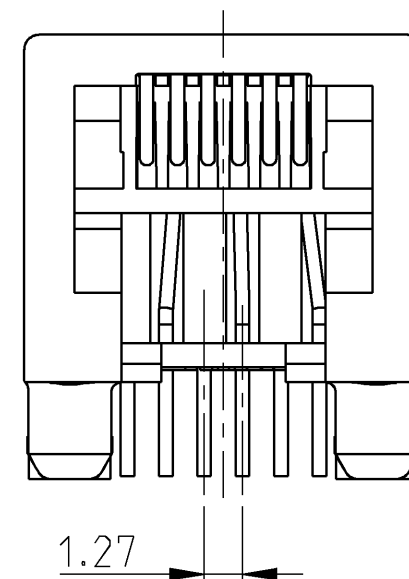
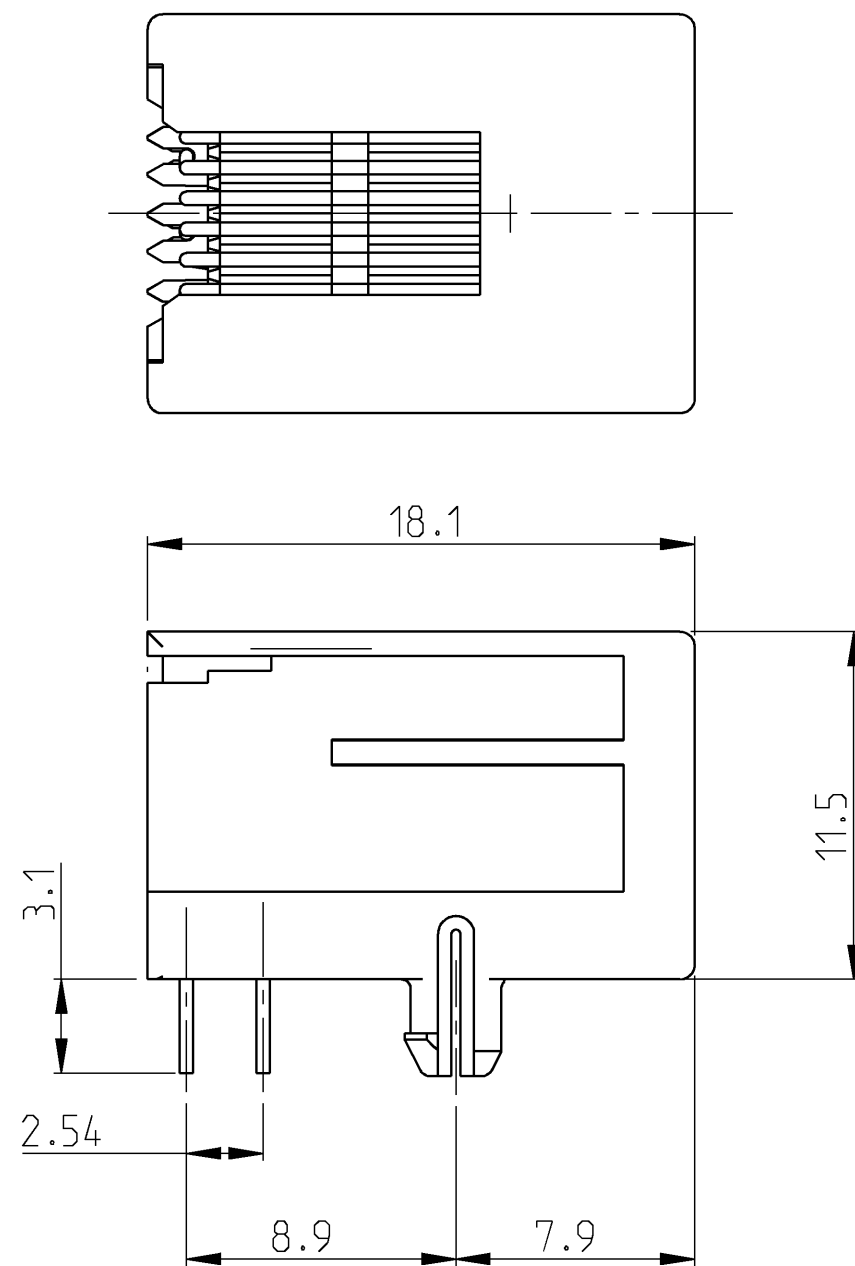
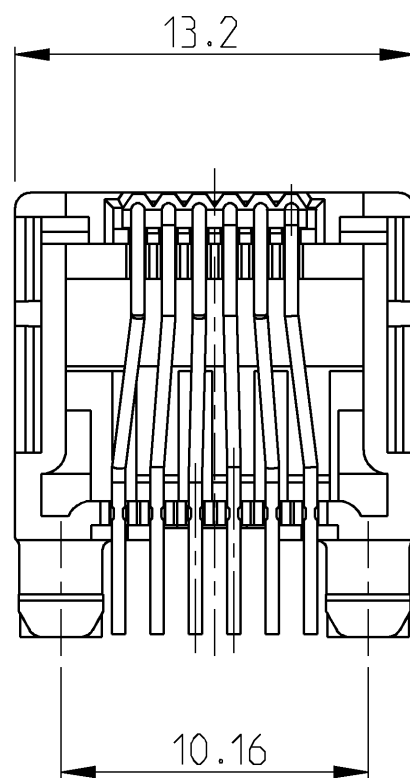
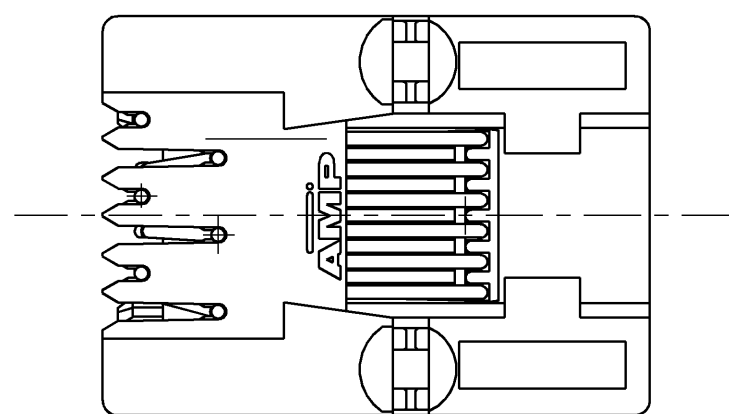
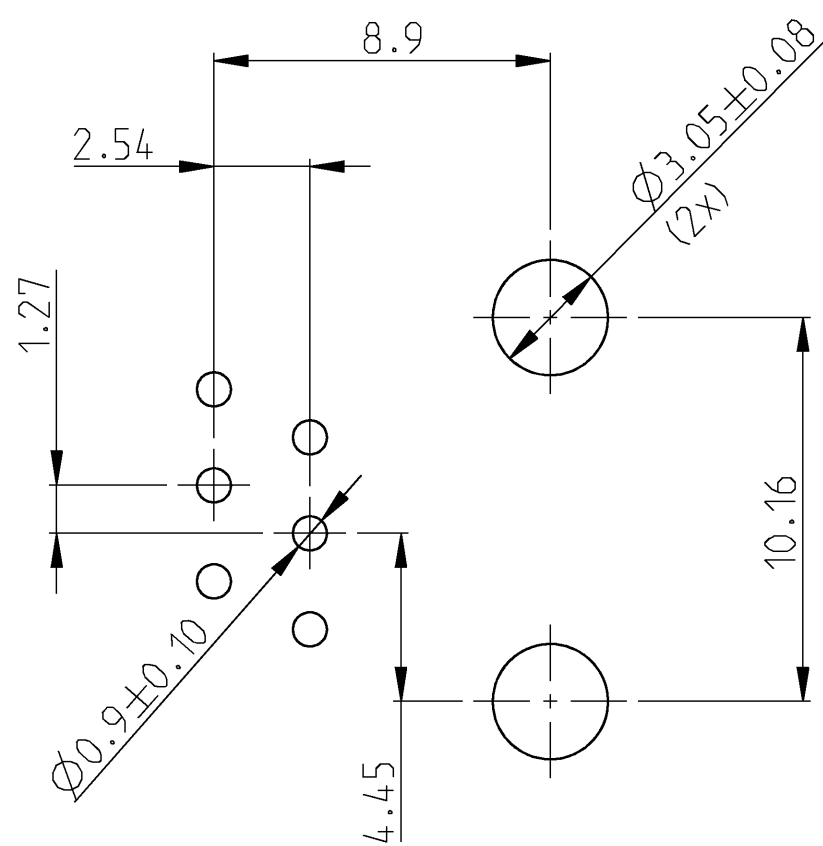


THIS DRAWING IS UNPUBLISHED. RELEASED FOR PUBLICATION  
 © COPYRIGHT - BY TYCO ELECTRONICS CORPORATION. ALL RIGHTS RESERVED.

LOC	DIST	REVISIONS			
P	LTR	DESCRIPTION	DATE	DWN	APVD
-	-	FIRST ISSUE			



- FOR APPLICATION INFORMATION SEE AMP SPEC. 114-19019.
- FOR PERFORMANCE REQUIREMENTS SEE AMP SPEC. 108-19064.
- TOLERANCES UNLESS OTHERWISE SPECIFIED:  $\pm 0.15\text{mm}$ .
- $\triangle$  FOR THIS PACKAGING METHOD THE TRUE POSITION OF THE SOLDER TAILS IS NOT GUARANTEED



BULK PACKING 1000 PCS $\triangle$	6 POS/ 6 CONTACTS	IN CONTACT AREA: 1.2 $\mu$ MIN. NICKEL 0.15 $\mu$ MIN. SEL GOLD	HOUSING COLOR BLACK PBT, UL 94 V-0	1982194-2
TAPE MOUNTED 800 PCS / REEL		SOLDER TINES: 2.5 $\mu$ MIN. TIN OVER 1.2 $\mu$ MIN. NICKEL	CONTACT INSERT: PBT, UL 94 V-0	1982194-1
REMARKS		FINISH	MATERIAL	P/N

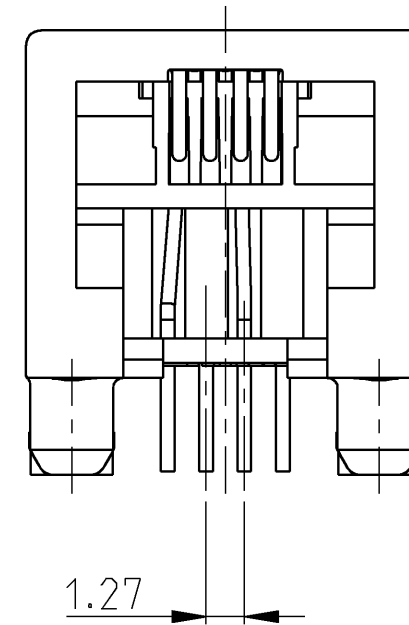
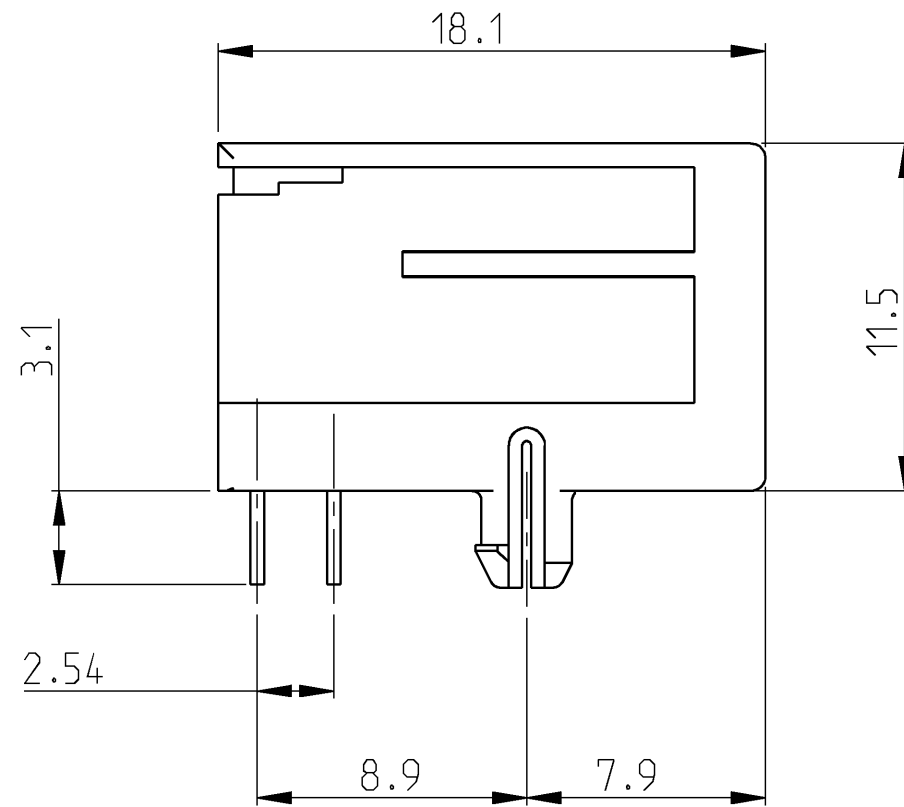
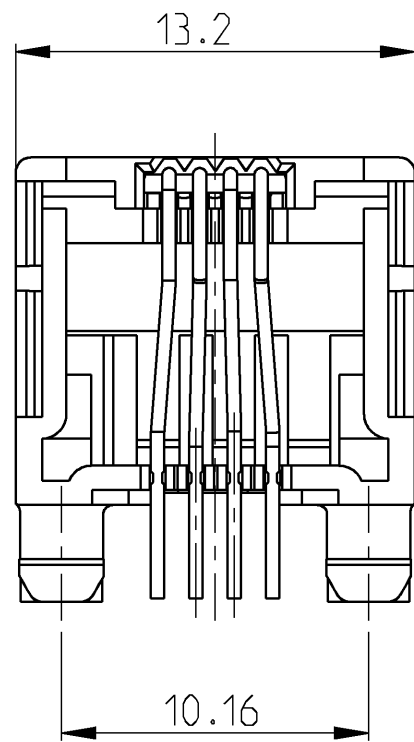
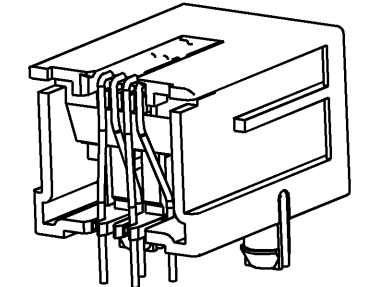
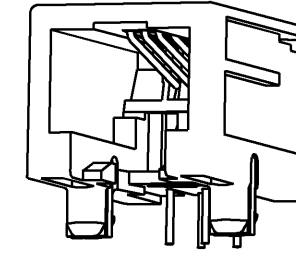
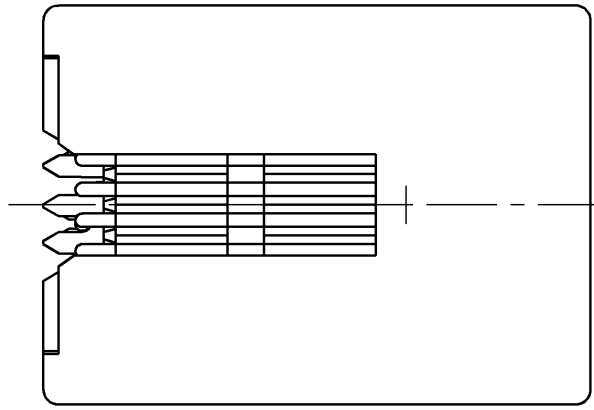
PRINTED CIRCUIT BOARD LAYOUT (6 POS/6 CONTACTS)

[VIEW SHOWN IS CIRCUIT (NON-COMPONENT) SIDE OF BOARD]  
 PRINTED CIRCUIT BOARD THICKNESS: 1.6mm NOMINAL.  
 TOLERANCES UNLESS OTHERWISE SPECIFIED:  $\pm 0.05$

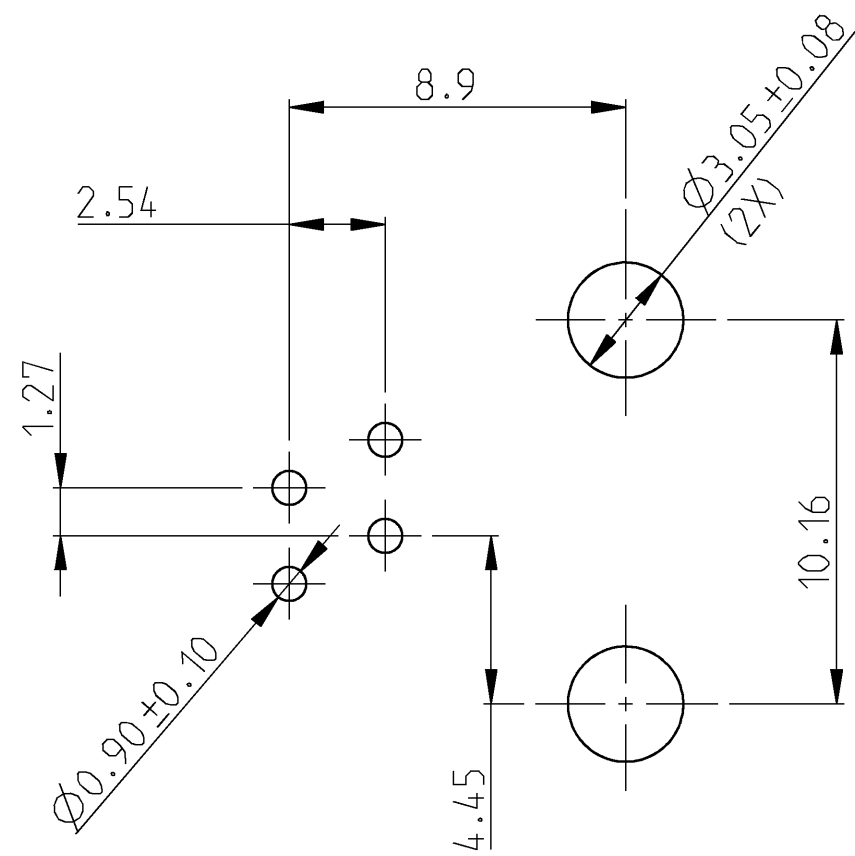
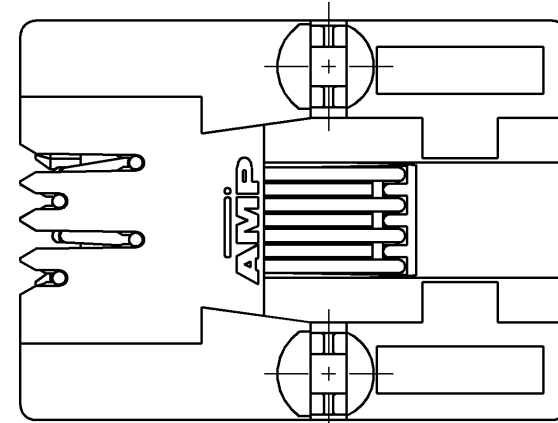
THIS DRAWING IS A CONTROLLED DOCUMENT FOR TYCO ELECTRONICS CORPORATION IT IS SUBJECT TO CHANGE AND THE CONTROLLING ENGINEERING ORGANIZATION SHOULD BE CONTACTED FOR THE LATEST REVISION.		DWN Shrivathsa 29-NOV-06	Tyco Electronics Nederland BV	
		CHK Premjith 30-Nov-06	's-Hertogenbosch, The Netherlands	
DIMENSIONS: mm		APVD Dolf C	NAME MODULAR JACK, SIDE ENTRY, 6/6 FOR PRINTED CIRCUIT BOARD	
TOLERANCES UNLESS OTHERWISE SPECIFIED: 0 PLC $\pm$ 1 PLC $\pm$ 2 PLC $\pm$ 3 PLC $\pm$ 4 PLC $\pm$ ANGLES $\pm$ FINISH -		PRODUCT SPEC 108-19064	RESTRICTED TO	
MATERIAL -		APPLICATION SPEC 114-19019	SIZE A2	CAGE CODE 00779
		WEIGHT -	DRAWING NO 1982194	REV A
		CUSTOMER DRAWING	SCALE 4:1	SHEET 1 OF 2

THIS DRAWING IS UNPUBLISHED. RELEASED FOR PUBLICATION  
 © COPYRIGHT - BY TYCO ELECTRONICS CORPORATION. ALL RIGHTS RESERVED.

LOC		DIST		REVISIONS			
P	LTR	DESCRIPTION	DATE	DWN	APVD		
-	-	SEE SHEET 1					



- 1 FOR APPLICATION INFORMATION SEE AMP SPEC. 114-19019.
- 2 FOR PERFORMANCE REQUIREMENTS SEE AMP SPEC. 108-19064.
- 3 TOLERANCES UNLESS OTHERWISE SPECIFIED: ± 0,15mm.
- △ FOR THIS PACKAGING METHOD THE TRUE POSITION OF THE SOLDER TAILS IS NOT GUARANTEED



PRINTED CIRCUIT BOARD LAYOUT (6 POS/4 CONTACTS)

[VIEW SHOWN IS CIRCUIT (NON-COMPONENT) SIDE OF BOARD]  
 PRINTED CIRCUIT BOARD THICKNESS: 1,6mm NOMINAL.  
 TOLERANCES UNLESS OTHERWISE SPECIFIED: ± 0,05

PACKAGING	REMARKS	FINISH	MATERIAL	P/N
BULK PACKAGING 1000 PCS △	6 POS/ 4 CONTACTS	IN CONTACT AREA: 1.2 μ MIN. NICKEL 0.15 μ MIN. SEL GOLD	HOUSING COLOR BLACK PBT, UL 94 V-0	1-1982194-2
TAPE MOUNTED 800 PCS / REEL		SOLDER TINES: 2.5 μ MIN. TIN OVER 1.2 μ MIN. NICKEL	CONTACT INSERT: PBT, UL 94 V-0  CONTACTS: Ph-BRONZE	1-1982194-1

THIS DRAWING IS A CONTROLLED DOCUMENT FOR TYCO ELECTRONICS CORPORATION IT IS SUBJECT TO CHANGE AND THE CONTROLLING ENGINEERING ORGANIZATION SHOULD BE CONTACTED FOR THE LATEST REVISION.		DWN Shrivathsa 29-NOV-06	Tyco Electronics Nederland BV 's-Hertogenbosch, The Netherlands	
DIMENSIONS: mm		CHK Premjith 30-Nov-06	NAME MODULAR JACK, SIDE ENTRY, 6/4 FOR PRINTED CIRCUIT BOARD	
TOLERANCES UNLESS OTHERWISE SPECIFIED: 0 PLC ±- 1 PLC ±- 2 PLC ±- 3 PLC ±-- 4 PLC ±- ANGLES ±- FINISH -		APVD Dolf C	RESTRICTED TO -	
MATERIAL -		PRODUCT SPEC 108-19064	SIZE A2	CAGE CODE 00779
		APPLICATION SPEC 114-19019	DRAWING NO 1982194	REV A
		WEIGHT -	SCALE 4:1 SHEET 2 OF 2	
		CUSTOMER DRAWING		