

Surge protection device set - PV-SET 1000 DC - 2804445

Please be informed that the data shown in this PDF Document is generated from our Online Catalog. Please find the complete data in the user's documentation. Our General Terms of Use for Downloads are valid (<http://phoenixcontact.com/download>)



Surge protection in IP65 housing for single string photovoltaic systems up to 1000 V DC, connection via SUNCLIX male/female connector.

Product Features

- ✓ Plugs can be checked with CHECKMASTER
- ✓ Pre-assembled protection solutions
- ✓ Mechanical coding of all slots
- ✓ Optical, mechanical status indication for the individual arresters
- ✓ Type 2 consistent plug-in surge arresters



Key commercial data

Packing unit	1 pc
Custom tariff number	85363030
Country of origin	Germany

Technical data

Dimensions

Height	200 mm
Width	125 mm
Depth	122 mm
Horizontal pitch	5 Div.

Ambient conditions

Degree of protection	IP65
	IP65
Impact strength	IK08

Surge protection device set - PV-SET 1000 DC - 2804445

Technical data

Ambient conditions

Ambient conditions	A, B
Ambient temperature (operation)	-30 °C ... 55 °C

General

Housing material	Polycarbonate, glass-fiber-reinforced
Cover material	Polycarbonate, transparent
Connector material	PA
Inflammability class according to UL 94	V2 (Gehäuse / Deckel)
	V0 (Steckverbinder)
Color	light grey RAL 7035
Standards for air and creepage distances	EN 50539-11
Protection class	II
Mounting type	Surface/Wall mounting
Type	Installation housing
Number of positions	2
Surge protection fault message	Optical
Direction of action	(L+)-PE & (L-)-PE & (L+)-(L-)

PV protective circuit DC side

Open circuit voltage U_{OCSTC}	830 V DC
Maximum continuous operating voltage U_{CPV}	1000 V DC
Rated surge voltage resistance U_{imp}	6 kV
Rated insulation voltage U_i	1000 V DC
Short-circuit current rating I_{SCPV}	32 A DC
Short-circuit current I_{SCSTC}	25 A DC

Protective circuit

IEC test classification	PV T2
Maximum continuous operating voltage U_c	1000 V DC
Rated load current I_L	≤ 80 A DC
Residual current I_{PE}	≤ 20 μ A
	≤ 250 μ A AC
Standby power consumption P_C	≤ 20 mW
Insulation resistance R_{iso}	> 5 G Ω (at 500 V DC)
Voltage protection level U_p (L+) - (L-)	≤ 3.7 kV
Max. backup fuse with branch wiring	Not required
Recommended backup fuse maximum	Not required

Connection, protective circuit

Surge protection device set - PV-SET 1000 DC - 2804445

Technical data

Connection, protective circuit

Connection name	PE
Connection method	Screw terminal blocks
	Biconnect terminal block
Screw thread	M5
Tightening torque	4.5 Nm
	4.5 Nm ... 30 lb _f -in. (UL)
Stripping length	16 mm
Cable gland	M20
Sealing area	5 mm ... 13 mm
Cable gland	M25
Sealing area	3x 5 mm ... 7 mm

Remote indicator contact

Switching function	PDT, 1-pos.
Connection method	MC 1,5/3
Screw thread	M2
Tightening torque	0.25 Nm
	2 lb _f -in. ... 4 lb _f -in.
Stripping length	7 mm
Conductor cross section stranded min.	0.14 mm ²
Conductor cross section stranded max.	1.5 mm ²
Conductor cross section solid min.	0.14 mm ²
Conductor cross section solid max.	1.5 mm ²
Conductor cross section AWG/kcmil min.	30
Conductor cross section AWG/kcmil max	16

Standards and Regulations

Standards/regulations	IEC 61439-2 2011
	EN 61439-2 2011
	EN 50539-11 Surge protection

Classifications

eCl@ss

eCl@ss 4.0	27140201
eCl@ss 4.1	27130801
eCl@ss 5.0	27130801
eCl@ss 5.1	27130801

Surge protection device set - PV-SET 1000 DC - 2804445

Classifications

eCl@ss

eCl@ss 6.0	27130805
eCl@ss 7.0	27130805
eCl@ss 8.0	27130805

ETIM

ETIM 2.0	EC000941
ETIM 3.0	EC000941
ETIM 4.0	EC000941
ETIM 5.0	EC000941

UNSPSC

UNSPSC 6.01	30212010
UNSPSC 7.0901	39121610
UNSPSC 11	39121610
UNSPSC 12.01	39121610
UNSPSC 13.2	39121620

Approvals

Approvals


Approvals

GOST

Ex Approvals

Approvals submitted

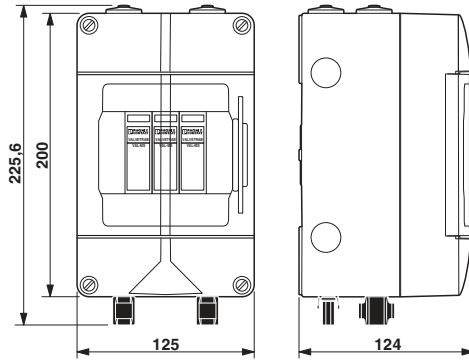
Approval details

GOST 
--

Drawings

Surge protection device set - PV-SET 1000 DC - 2804445

Dimensioned drawing



Circuit diagram

