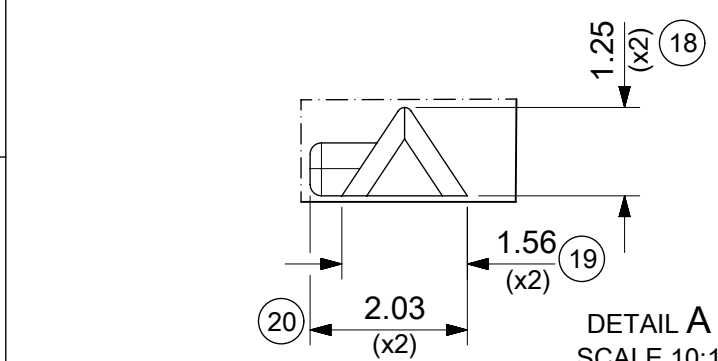
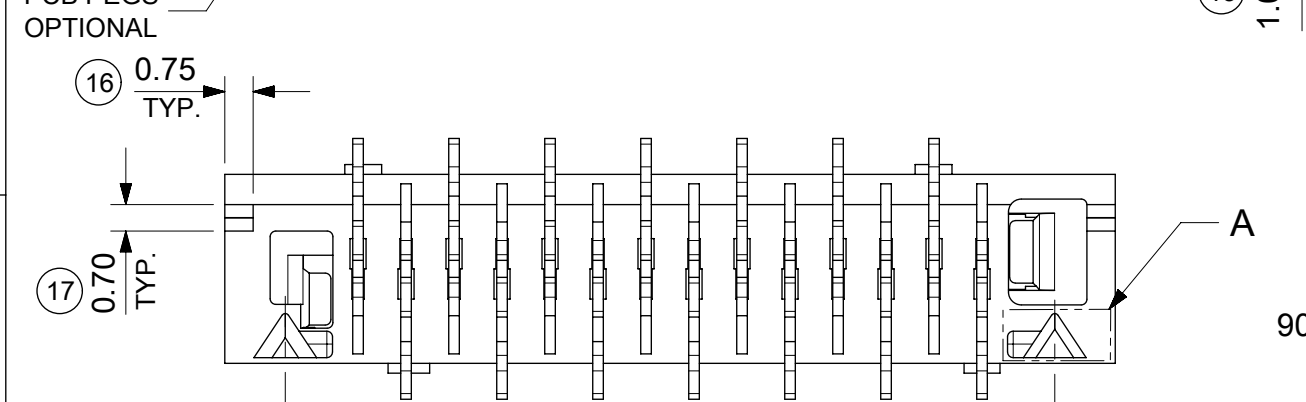
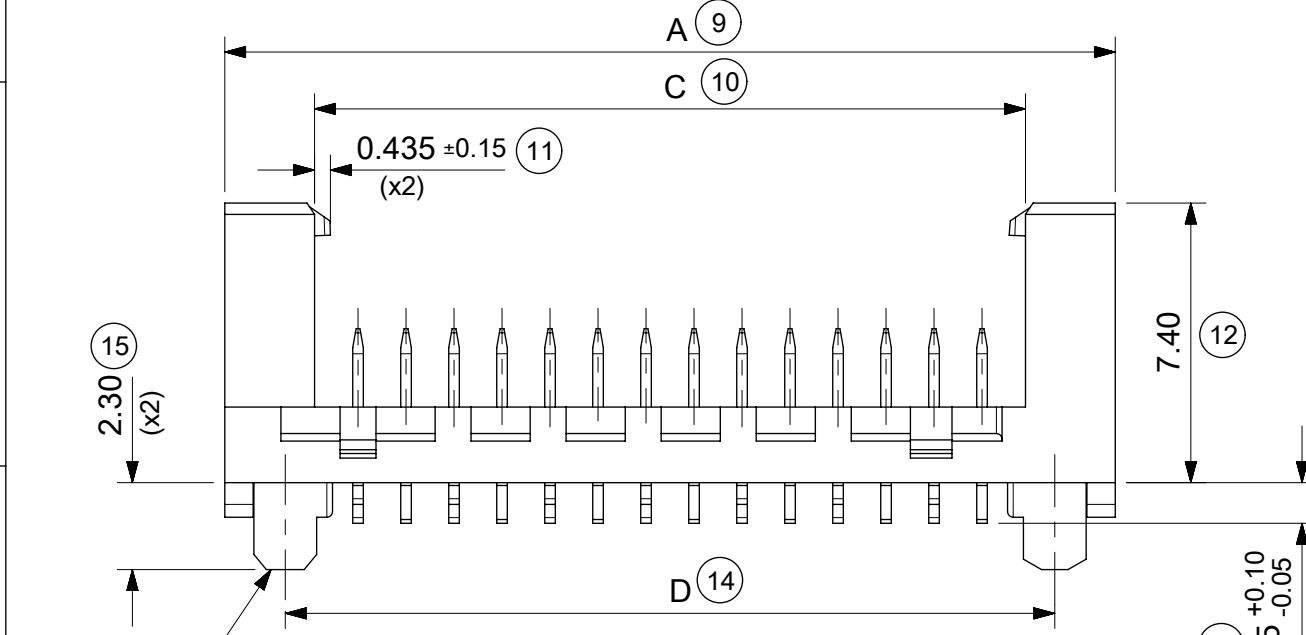


14 CIRCUIT SHOWN FOR ILLUSTRATION ONLY.



PART NO.	NUMBER OF CKTS	DIMN. A	DIMN. B	DIMN. C	DIMN. D
90816-**04	04	10.86	3.81	6.11	7.66
90816-**06	06	13.40	6.35	8.65	10.20
90816-**08	08	15.94	8.89	11.19	12.74
90816-**10	10	18.48	11.43	13.73	15.28
90816-**12	12	21.02	13.97	16.27	17.82
90816-**14	14	23.56	16.51	18.81	20.36
90816-**16	16	26.10	19.05	21.35	22.90
90816-**18	18	28.64	21.59	23.89	25.44
90816-**20	20	31.18	24.13	26.43	27.98
90816-**22	22	33.72	26.67	28.97	30.52
90816-**24	24	36.26	29.21	31.51	33.06
90816-**26	26	38.80	31.75	34.05	35.60

SEE NOTE-7

- NOTES:
- MATERIAL
HOUSING: PPA, GLASS-FILLED, COLOUR: BLACK, UL 94-HB.
TERMINAL: BRASS
 - FINISHES: TERMINAL
Gold : UNDERPLATED 1.27µm MIN NICKEL
3-5µm TIN SELECTIVE
0.76µm MIN. SELECTIVE GOLD
TIN: 3 MICROMETRE MINIMUM OVER NICKEL UNDERPLATE.
 - PRODUCT SPECIFICATION: PS-99020-0011
 - PACKAGING SPECIFICATION: FOR TAPE AND REEL SEE: PK-90816-006
FOR TUBE SEE: PK-90816-007
 - MATES WITH MOLEX 90327 PART SERIES.
 - ALL SMT TAILS TO LIE WITHIN A COPLANARITY BAND OF 0 - 0.10 MICROMETRE REF. FROM EACH OTHER.
 - 4 CIRCUIT PART NOT AVAILABLE IN TAPE AND REEL.
- LAST INSPECTION NUMBER USED: 20

90816 - ** **

CIRCUIT SIZE.

	PCB PEGS	TUBE PACKED	TAPE & REEL PACKED
0	YES	YES	NO
2	YES	NO	YES
3	NO	YES	NO
5	NO	NO	YES

0 = TIN VERSION
3 = 0.76µm GOLD PLATING

FUNCTIONAL SYMBOLS		THIS DRAWING CONTAINS INFORMATION THAT IS PROPRIETARY TO MOLEX ELECTRONIC TECHNOLOGIES, LLC AND SHOULD NOT BE USED WITHOUT WRITTEN PERMISSION		CURRENT REV DESC: CAD MIGRATION	
$\nabla/A = 0$	DIMENSION UNITS	SCALE	CURRENT REV DESC: CAD MIGRATION		
$\nabla/A = 0$	mm	5:1	CURRENT REV DESC: CAD MIGRATION		
$\nabla/A = 0$	GENERAL TOLERANCES (UNLESS SPECIFIED)		CURRENT REV DESC: CAD MIGRATION		
$\nabla/A = 0$	ANGULAR TOL ± 2.0°		CURRENT REV DESC: CAD MIGRATION		
DIVISIONAL SYMBOLS		4 PLACES ±		CURRENT REV DESC: CAD MIGRATION	
		3 PLACES ±		CURRENT REV DESC: CAD MIGRATION	
		2 PLACES ± 0.25		CURRENT REV DESC: CAD MIGRATION	
		1 PLACE ± 0.35		CURRENT REV DESC: CAD MIGRATION	
		0 PLACES ±		CURRENT REV DESC: CAD MIGRATION	
DRAFT WHERE APPLICABLE MUST REMAIN WITHIN DIMENSIONS		THIRD ANGLE PROJECTION	DRAWING	SERIES	MATERIAL NUMBER
			A3	90816	SEE CHART

EC NO: 738955		2023/02/02		2023/02/16	
DRWN: GOWTHP		2023/02/02		2023/02/20	
CHK'D: GOWTHP		2023/02/02		2023/02/20	
APPR: ISHWARG		2023/02/02		2023/02/20	
INITIAL REVISION:		2008/08/16		2010/11/04	
DRWN: DBYRNES		2008/08/16		2010/11/04	
APPR: EFOAN		2008/08/16		2010/11/04	

DOCUMENT NUMBER		DOC TYPE	DOC PART	REVISION
SD-90816-001		PSD	001	G1
MATERIAL NUMBER		CUSTOMER		SHEET NUMBER
SEE CHART		GENERAL MARKET		1 OF 2



RESTRICTED AREA
NO PCB COMPONENTS
ALLOWED

CKT 2.

CKT 1.

2.54 PITCH.

$\phi 2.00$ REF. (x2)

REF. (x2)

(NON-PLATED THROUGH HOLE)

0.10 X REF.

RECOMMENDED PCB THICKNESS 1.60±0.14

PCB LAYOUT FOR CLEARANCE FIT WITH PCB PEGS

HEADER VERSIONS 90816-*0**/*2**

VIEWED FROM COMPONENT SIDE

6CKT PART SHOWN FOR REFERENCE



RESTRICTED AREA
NO PCB COMPONENTS
ALLOWED

CKT 2.

CKT 1.

2.54 PITCH.

2.00 TYP. REF.

PCB LAYOUT WITHOUT PCB PEGS

HEADER VERSIONS 90816-*3**/*5**

VIEWED FROM COMPONENT SIDE

6CKT PART SHOWN FOR REFERENCE

PART NO.	NUMBER OF CKTS	DIM. E	DIM. F	DIM. G
90816-**26	26	38.80	31.75	35.60
90816-**24	24	36.26	29.21	33.06
90816-**22	22	33.72	26.67	30.52
90816-**20	20	31.18	24.13	27.98
90816-**18	18	28.64	21.59	25.44
90816-**16	16	26.10	19.05	22.90
90816-**14	14	23.56	16.51	20.36
90816-**12	12	21.02	13.97	17.82
90816-**10	10	18.48	11.43	15.28
90816-**08	8	15.94	8.89	12.74
90816-**06	6	13.40	6.35	10.20
90816-**04	4	10.86	3.81	7.66

DOCUMENT STATUS P1 RELEASE DATE 2023/02/20 05:04:35

FUNCTIONAL SYMBOLS	THIS DRAWING CONTAINS INFORMATION THAT IS PROPRIETARY TO MOLEX ELECTRONIC TECHNOLOGIES, LLC AND SHOULD NOT BE USED WITHOUT WRITTEN PERMISSION	CURRENT REV DESC: CAD MIGRATION						
	DIMENSION UNITS	SCALE	EC NO: 738955					
	mm	5:1	DRWN: GOWTHP 2023/02/02		PICOFLEX SMT LATCHED HEADER PRODUCT CUSTOMER DRAWING			
	GENERAL TOLERANCES (UNLESS SPECIFIED)		CHK'D: GOWTHP 2023/02/16					
	ANGULAR TOL ± 2.0°		APPR: ISHWARG 2023/02/20					
DIVISIONAL SYMBOLS	4 PLACES ±		INITIAL REVISION:		DOCUMENT NUMBER	DOC TYPE	DOC PART	REVISION
	3 PLACES ±		DRWN: DBYRNES 2010/11/04		SD-90816-001	PSD	001	G1
	2 PLACES ± 0.25		APPR: EFOLAN		SEE SHEET 1	GENERAL MARKET		
	1 PLACE ± 0.35							
	0 PLACES ±							
	DRAFT WHERE APPLICABLE MUST REMAIN WITHIN DIMENSIONS	THIRD ANGLE PROJECTION	DRAWING	SERIES	MATERIAL NUMBER	CUSTOMER	SHEET NUMBER	
			A3-SIZE	90816	SEE SHEET 1	GENERAL MARKET	2 OF 2	