

Industrial Connectors Selection Guides

CAT.No.IND-GC-D001.FEB.2021



**Japan Aviation Electronics
Industry, Limited**

External Interface Connectors

One-touch Bayonet locking Waterproof Connector JL05 Series



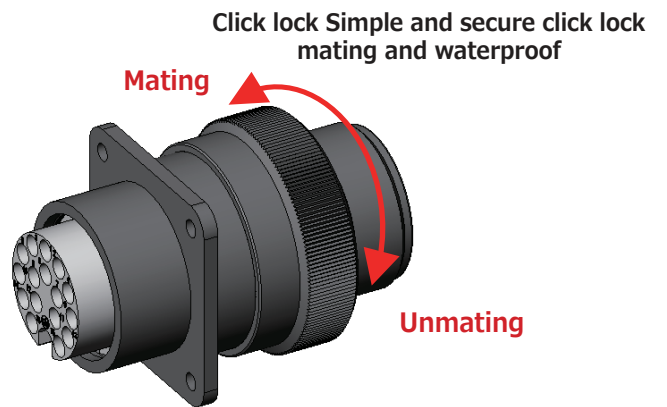
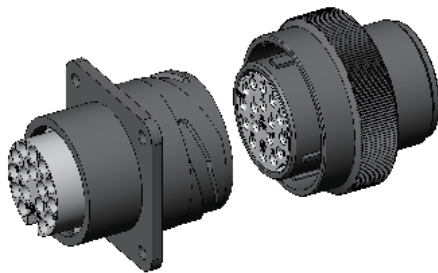
General Specifications

Number of Contacts	4, 5, 7, 8, 9, 10, 17, 19, 24, 30, 36, 37, 52, 73		
Rated Current (by contact size)	#20 Cont. : 5A max. , #16 Cont. : 13A max. #12 Cont. : 23A max. , #8 Cont. : 46A max. (Assembled In Insulator)		
Rated Voltage	Classification code	AC	DC
	INST	200V	250V
	A	500V	700V
	D	900V	1,250V
Dielectric Withstanding Voltage	INST	1,000V	
	A	2,000V	
	D	2,800V	
Insulation Resistance	5,000MΩ max.(Waterproof type when mated) 1,000MΩ max.(Individually waterproofed type)		
Operating Temperature	-55°C ~ +125°C		
Applicable Wire	#20 Cont. : AWG 18 ~ 26 #16 Cont. : AWG 14 ~ 24 #12 Cont. : AWG 12 ~ 16 #8 Cont. : AWG 8 ~ 12		

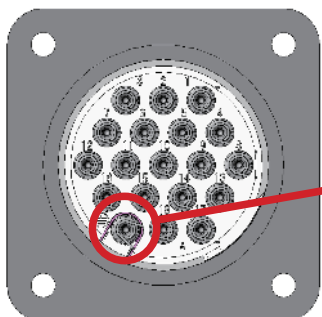
Features

- One-touch bayonet lock mating type
- Five optional keyed mating orientation to prevent mis-mating in multiple connector use
- Sequential connection ensures reliable link with protection circuit.

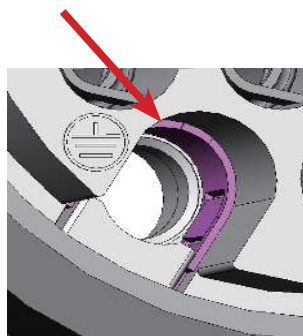
One-touch lock mating



Protective Earth connection



Ground lug



Grounding lug to connect contact to outer metal shell

External Interface Connectors

One-touch Bayonet locking Waterproof Connector JL05 Series

■ Contact arrangement

Arrangement	22-22	18-11	20-15	24-10	22-23	24-11
Contact arrangement (View of pin insert from mating side)						
Size x Number of Contacts	#8 x 4 pos.	#12 x 5 pos.	#12 x 7 pos.	#8 x 7 pos.	#12 x 8 pos.	#8 x 3 pos. #12 x 6 pos.
Rated Current	46A	23A	23A	46A	23A	46A (#8) 23A (#12)
Rated Voltage Dielectric Withstanding Voltage (Note1)	A	A	A	A	D (H) A (Other)	A
Arrangement	18-1	20-29	18-19A	22-14	24-28	20-30A
Contact arrangement (View of pin insert from mating side)						
Size x Number of Contacts	#16 x 10 pos.	#16 x 17 pos.	#20 x 19 pos.	#16 x 19 pos.	#16 x 24 pos.	#20 x 30 pos.
Rated Current	13A	13A	5A	13A	13A	5A
Rated Voltage Dielectric Withstanding Voltage (Note1)	A (B,C,F,G) INST (Other)	A	INST	A	INST	INST
Arrangement	28-36B	28-21	24-52A	28-73A		
Contact arrangement (View of pin insert from mating side)						
Size x Number of Contacts	#12 x 4 pos. #16 x 4 pos. #20 x 28 pos.	#16 x 37 pos.	#20 x 52 pos.	#20 x 73 pos.		
Rated Current	23A (#12) 13A (#16) 5A (#20)	13A	5A	5A		
Rated Voltage Dielectric Withstanding Voltage (Note1)	(Note2)	A	INST	INST		

(Note1) The rated voltage and withstand voltage are indicated by classification symbols.

Please refer to the "General Specifications" column on the previous page for details.

(Note2) The table below shows the rated voltage and withstand voltage of the contact arrangement 28-36B (36 positons).

	Terminal No.	AC	DC
Rated Voltage	1 ~ 28	200V	250V
	29 ~ 35,Ground	500V	700V
Dielectric Withstanding Voltage	1 ~ 28	1,500V	
	29 ~ 35,Ground	2,000V	

Before placing an order

- ① The values specified in this catalogue are only for reference. The products and specifications are subject to change without notice. Contact our sales staff for further information before considering or ordering any of our products. For purchase, a product specification must be agreed upon.
- ② Users are requested to provide protection circuits and redundancy circuits to ensure safety of the equipment, and sufficiently review the suitability of JAE's products to the equipment.
- ③ The products presented in this catalogue are designed for the uses recommended below. We strongly suggest you contact our sales staff when considering use of any of the products in any other way than the recommended applications or for a specific use that requires an extremely high reliability.

(1) Applications that require consultation:

- (i) Please contact us if you are considering use involving a quality assurance program that you specify or that is peculiar to the industry, such as:
 - Automotive electrical components, train control, telecommunications devices (mainline), traffic light control, electric power, combustion control, fire prevention or security systems, disaster prevention equipment, etc.
- (ii) We may separately give you our support with a quality assurance program that you specify, when you think of a use such as:
 - Aviation or space equipment, submarine repeaters, nuclear power control systems, medical equipment for life support, etc

(2) Recommended applications include:

Computers, office appliances, telecommunications devices (terminals, mobile units), measuring equipment, audiovisual equipment, home electric appliances, factory automation equipment, etc.