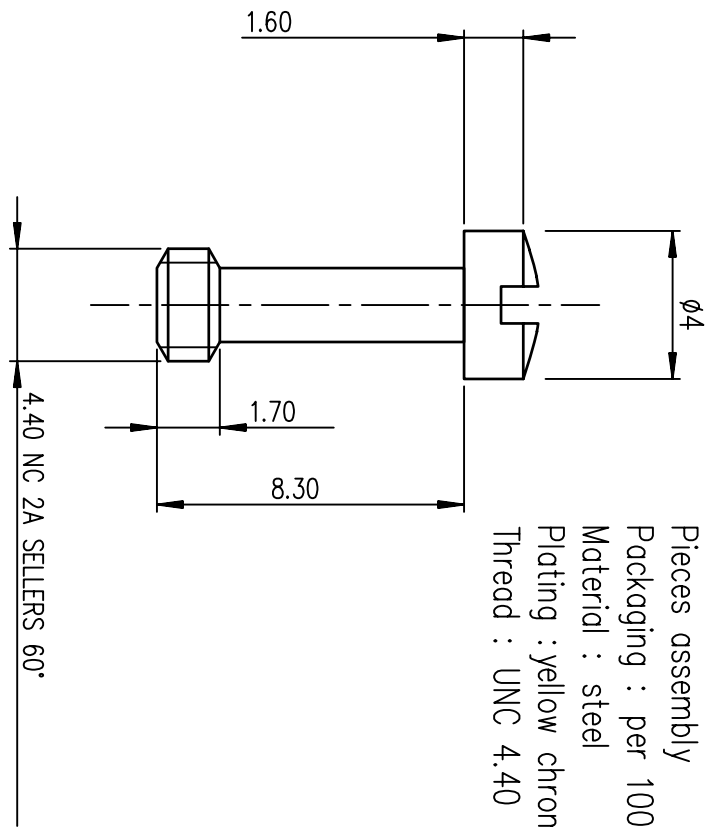
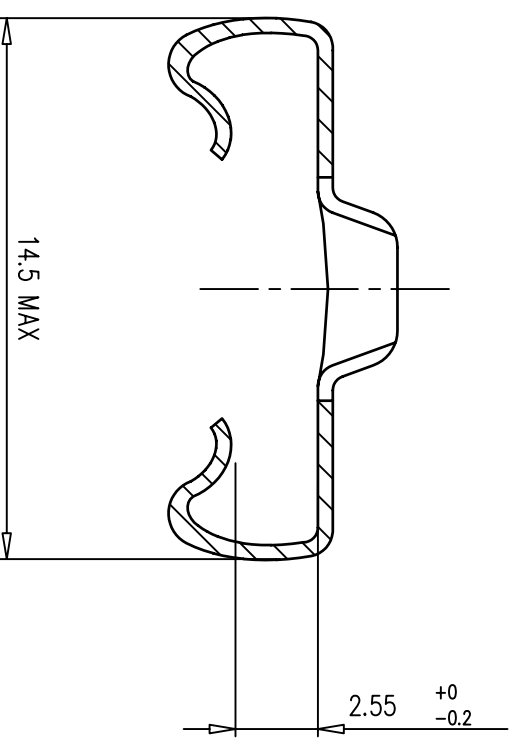
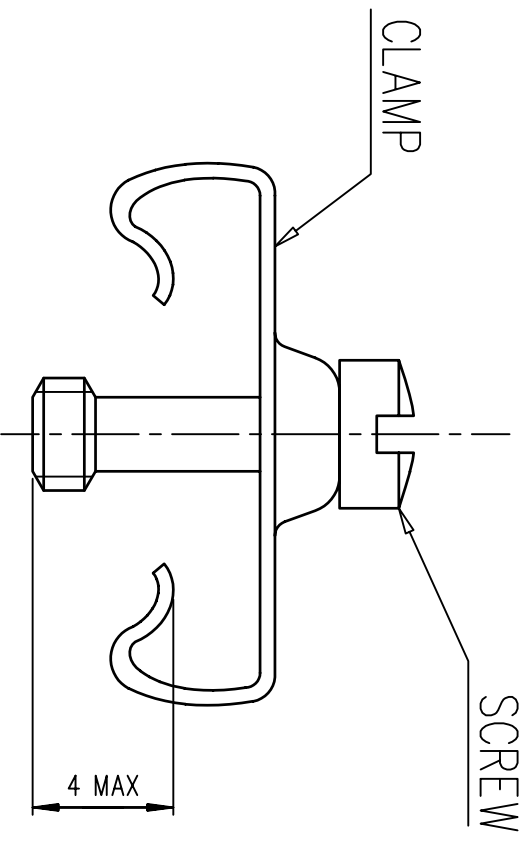


NOTES

Pieces assembly
 Packaging : per 100 piece
 Material : steel
 Plating : yellow chromate cadmium
 Thread : UNC 4.40



VIEW ASSEMBLY



| | |
|-------------|---------|
| Part Number | 863009A |
|-------------|---------|

| rev | ecn no | dr | date |
|-----|-------------|-----|------------|
| B | - | LGO | 2004/10/01 |
| C | LS06-0101 | MPE | 2006/06/27 |
| D | LS07-0001 | MPE | 2007/01/02 |
| E | LS09-0006 | PCR | 2009/01/08 |
| El1 | - | PK | 2012/03/22 |
| F | ELX-H-01683 | PK | 2012/05/09 |
| G | ELX-H-01686 | PK | 2012/05/21 |

| | | | | | | | |
|--------------------|----------|------------|----------------|---------------|------------------|------------|--------------|
| www.fciconnect.com | | surface | ISO 1302 | tolerance std | ISO 406 ISO 1101 | projection | mm |
| Dr | JOUBERT | 1997/04/01 | ANGULAR | 0.X | ±0.1 | size | A3 |
| Eng | GOISNARD | 2004/01/10 | LINEAR | 0.XX | ±0.1 | Scale | 5 |
| Chr | P.LEGARE | 1997/04/01 | 0.XX ±2 | 0.XXX | ±0.1 | ECN | ELX-H-011686 |
| Appr | P.LEGARE | 1997/04/01 | Product family | | D-SUB | Spec ref | - |

MALE SCREW LOCKS
 SHELLS 9 TO 37
 D SUB ACCESSORIES

Rev. G
 CUSTOMER sheet 1 of 1