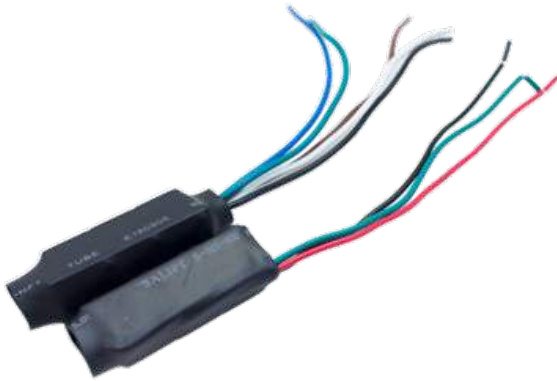


# LED Driver Surge Protection BASIC

10kV  $U_{oc}$     5kA  $I_n$     10kA  $I_{max}$

## Hardwired Series



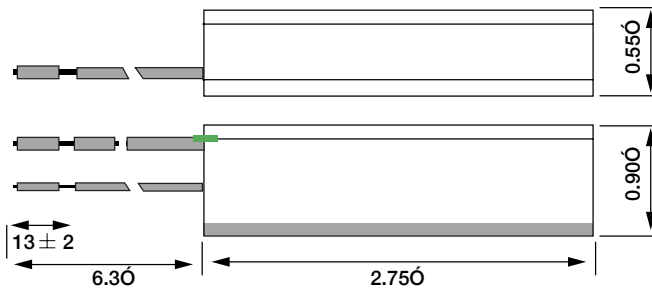
### Applications

- Highway & Street lighting
- Parking Lots & Pathways
- Bus & Train Depot Lighting
- Digital Signs
- Parking Garages & Tunnels

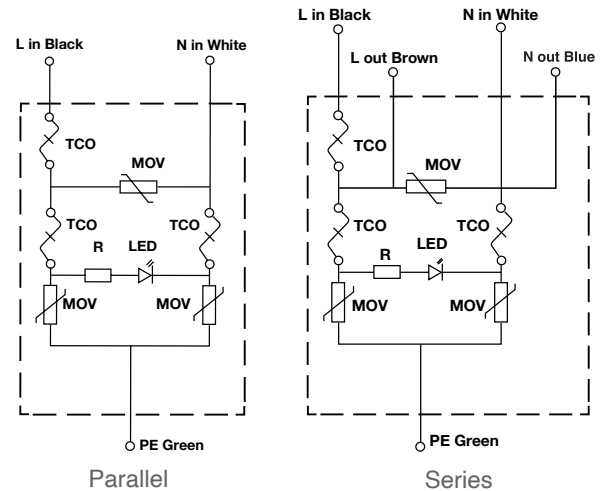
### Features

- Small, Compact Footprint
- Series or Parallel Connection
- L-N, L-G, N-G Protection
- Safety Thermal Fusing
- 10-Year Product Warranty

### Dimensional Drawing



### Wiring Diagram



Product Model	Operating Voltage	$I_n$	$I_{MAX}$	$U_{oc}$	MCOV	Clamp Voltage	Thermal Fusing	3-Mode Protection	Operating Temperature	Series or Parallel
AP5P277	120V-277V	5kA	10kA	10kV	320V	1200V	✓	✓	-40°C to +70°C	Parallel
AP5S277	120V-277V	5kA	10kA	10kV	320V	1200V	✓	✓	-40°C to +70°C	Series
AP5P480	480V	5kA	10kA	10kV	550V	1500V	✓	✓	-40°C to +70°C	Parallel
AP5S480	480V	5kA	10kA	10kV	550V	1500V	✓	✓	-40°C to +70°C	Series