

THIS SPECIFICATION SHEET FORMS A PART OF THE LATEST ISSUE OF RAYCHEM SPECIFICATION 1200.

CONSTRUCTION DETAILS

ELECTRICAL CHARACTERISTICS

DIMENSIONS ARE NOMINAL VALUES IN INCHES UNLESS OTHERWISE DESIGNATED.

CHARACTERISTIC IMPEDANCE	75 ± 5 ohms, Method B
CAPACITANCE	17.1pF/ft. (nominal) at 1 kHz
VELOCITY OF PROPAGATION	79% (nominal)

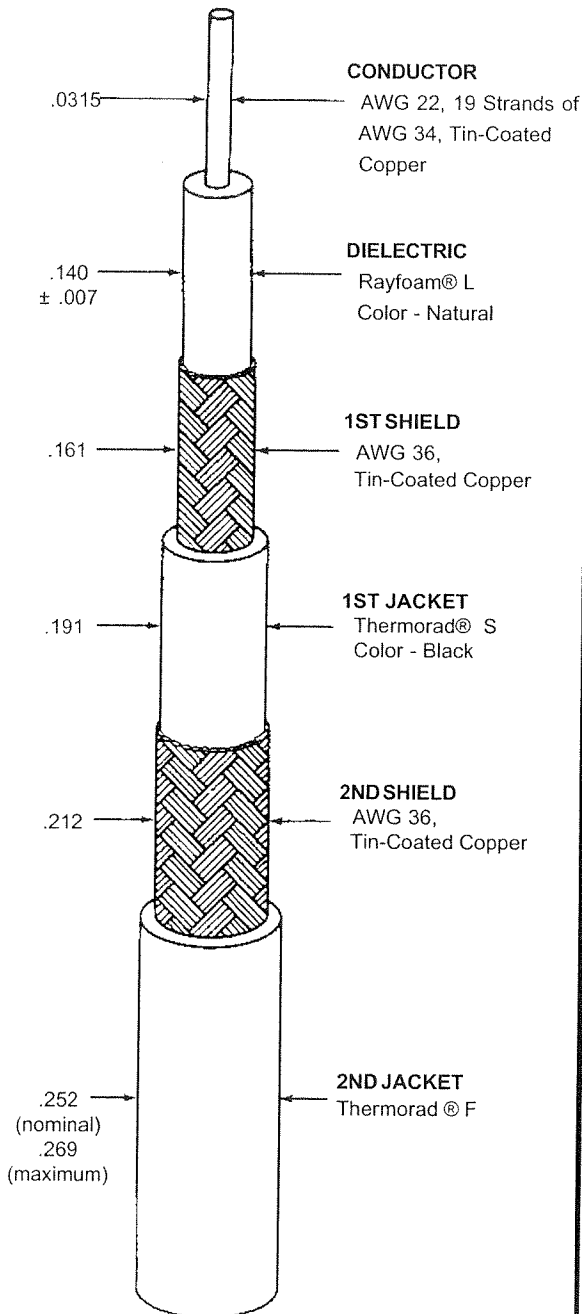
ADDITIONAL REQUIREMENTS

ELECTRICAL	
CONDUCTOR RESISTANCE	15.5 ohms/1000 ft. (nominal)
INSULATION RESISTANCE (CONDUCTOR TO SHIELD)	10,000 megohms (minimum) for 1000 ft.
JACKET FLAWS	
SPARK TEST	1.0 kV (rms)
IMPULSE TEST	6.0 kV, (peak)
VOLTAGE WITHSTAND (DIELECTRIC)	
CONDUCTOR TO SHIELD	1000 volts (rms) (minimum)
SHIELD TO SHIELD	500 volts (rms) (minimum)

ENVIRONMENTAL	
FLAMMABILITY	Method C
HEAT SHOCK	225°C
LOW TEMPERATURE- COLD BEND	-55°C/7.00 inch mandrel
VOLTAGE WITHSTAND (POST ENVIRONMENTAL)	1000 volts (rms), 1 minute

PHYSICAL	
INSULATION (DIELECTRIC)	
ELONGATION	50% (minimum)
TENSILE STRENGTH	800 lbf/in ² (minimum)
1ST JACKET	
ELONGATION	250% (minimum)
TENSILE STRENGTH	2000 lbf/in ² (minimum)
2ND JACKET	
ELONGATION	100% (minimum)
TENSILE STRENGTH	2000 lbf/in ² (minimum)
1ST JACKET THICKNESS	.015 inch (nominal)
2ND JACKET THICKNESS	.020 inch (nominal)
SHIELD COVERAGE (EACH)	90% (minimum)

WEIGHT	45.2 lbs/1000 ft. (nominal)
--------	-----------------------------



Outer jacket color will be black (designated by a "-0" appended to the part number, e.g. 7522D5311-0) unless otherwise specified

Designate outer jacket color with a dash number in accordance with MIL-STD-681.