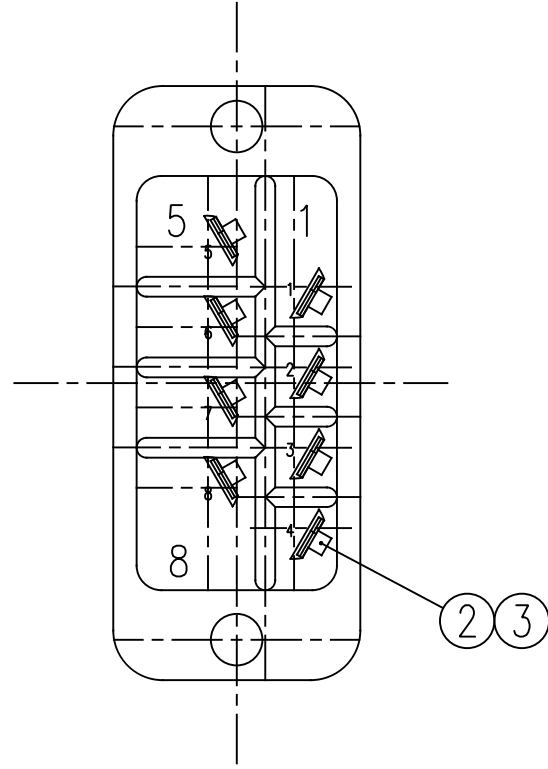
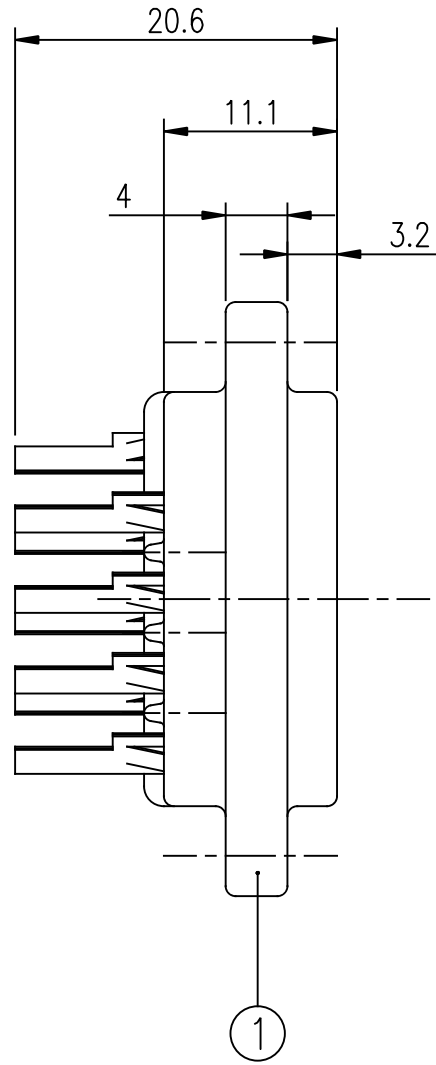
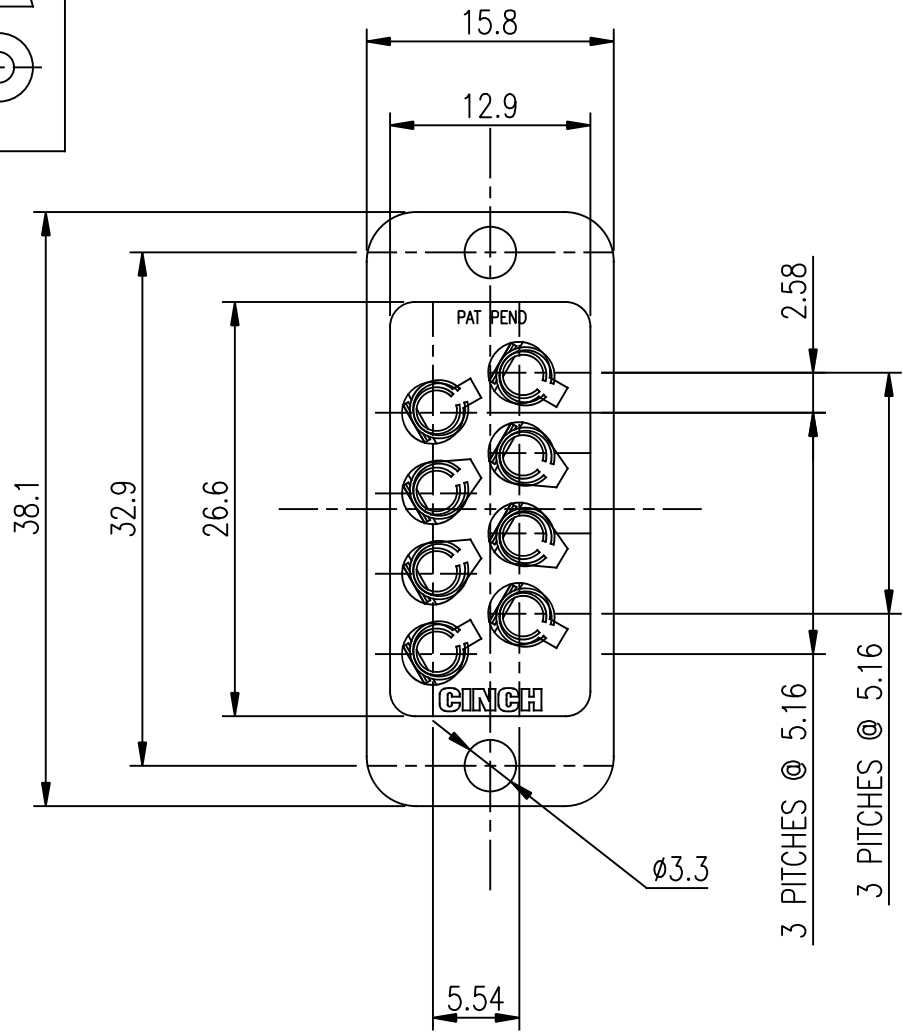


1	2	3	4	5	6	7
CINCH Connectors Ltd. WORKSOP, ENGLAND						
RELEVANT SPEC. 77847 00 000 000 000 SHEET 1 OF 1						
CAD No. G:JA7784700000000						
IF IN DOUBT - ASK ALL DIMENSIONS ARE IN mm						

CUSTOMER DRAWING ONLY.



NOTES:

1. ALL DIMENSIONS ARE REFERENCE ONLY UNLESS STATED OTHERWISE.

THIS DRAWING IS COPYRIGHT AND IS ISSUED ON CONDITION IT IS NOT COPIED, REPRODUCED OR DISCLOSED TO A THIRD PARTY WITHOUT THE CONSENT IN WRITING OF CINCH CONNECTORS LTD. ATTENTION IS DRAWN TO THE FACT THAT THE ARTICLE DISCLOSED MAY BE COVERED BY BRITISH OR FOREIGN PATENTS, GRANTED OR PENDING OR REGISTERED DESIGN.

APP'D	DATE	MOD No.	ISSUE
	06.06.07	8	A
GENERAL TOLERANCE			CUST. ISS.
TITLE J-TYPE			06.06.07
8 WAY SOCKET CONNECTOR ASSEMBLY			
DRN. RMUSCROFT	DATE 06.06.07	SCALE 2:1	CHD
RAW MATERIAL	MATERIAL SPEC.		APP'D
FINISHED HARDNESS	FINISH TREATMENT	FINISHED COLOUR	