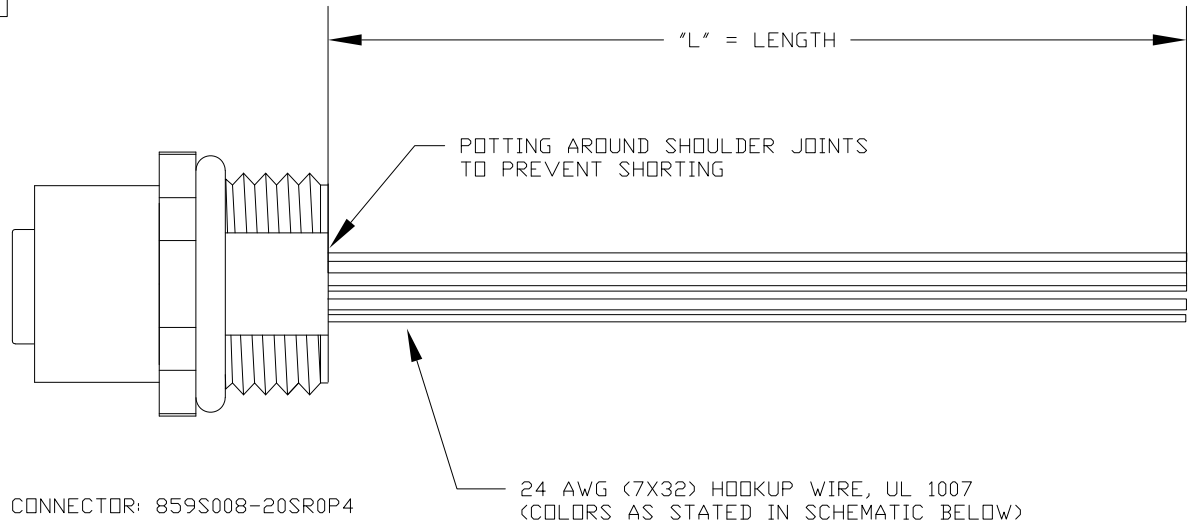
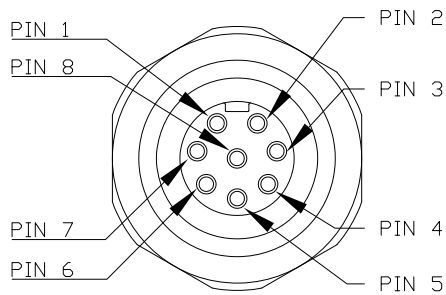


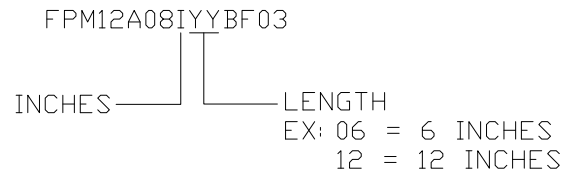
DESCRIPTION: M12 8 POSITION STAINLESS STEEL FEMALE PIGTAIL



**SEE PAGE 2 FOR DETAILS

WIRING SCHEMATIC

- PIN
- 1 = WHITE
 - 2 = BROWN
 - 3 = GREEN
 - 4 = YELLOW
 - 5 = GREY
 - 6 = PINK
 - 7 = BLUE
 - 8 = RED



NOTE: PACKAGED 10 PER BAG

RoHS COMPLIANT

UNITS IN INCHES [MM] DO NOT SCALE FROM DRAWING



THESE DRAWINGS AND SPECIFICATIONS ARE THE PROPERTY OF NorComp AND SHALL NOT BE REPRODUCED, COPIED OR USED AS THE BASIS FOR THE MANUFACTURE OR SALE OF APPARATUS WITHOUT WRITTEN PERMISSION.

DRAWN:
G. BROWN
DATE:
01/23/2019

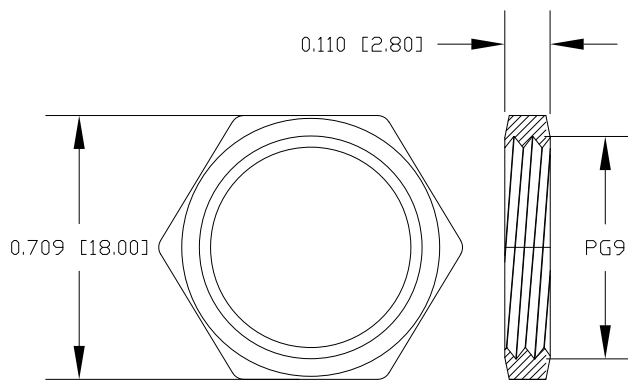
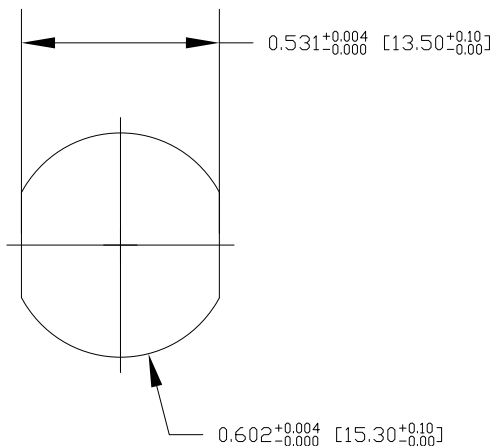
NorComp

SCALE: NTS	SHEET OF 1 OF 2	REV 2
DWG NO. FPM12A08IYYBF03		

DESCRIPTION: M12 8 POSITION STAINLESS STEEL FEMALE PIGTAIL

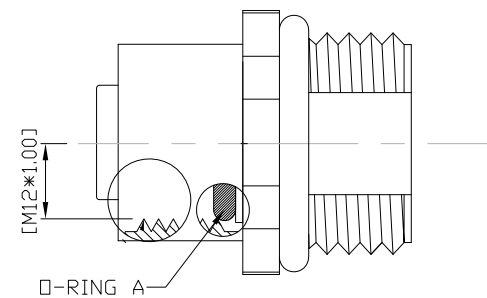
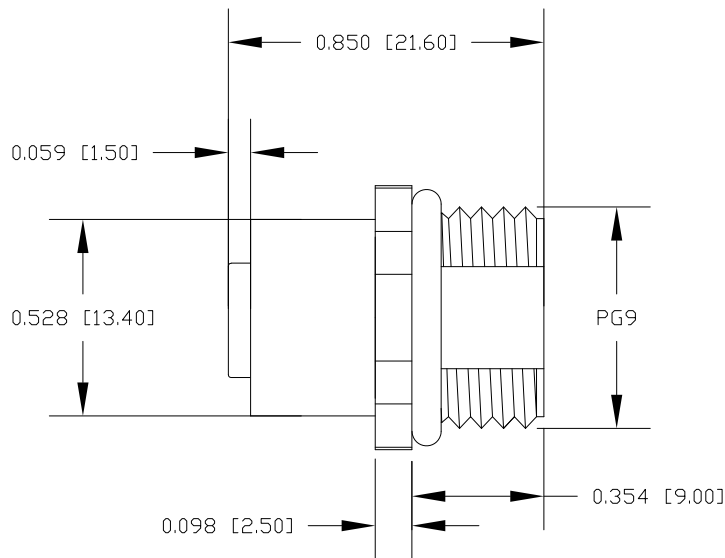
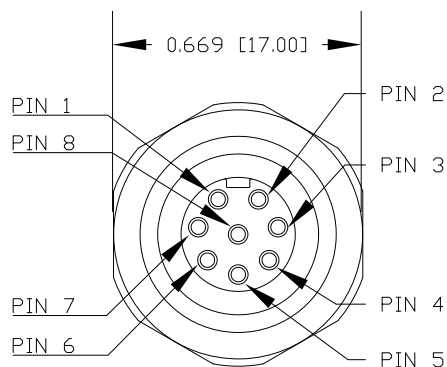
NOTE:

MATERIAL
 HOUSING: PBT UL94V-0, BLACK
 CONTACT: BRASS
 NUT: STAINLESS STEEL 316
 SHELL: STAINLESS STEEL 316
 O-RING: EPDM, BLACK
 FINISH
 CONTACT: GOLD PLATED 10μ" Min.
 UNDER PLATE: NICKEL
 ELECTRICAL
 RATED CURRENT: 2A
 RATED VOLTAGE: 30V
 INSULATION RESISTANCE: 100MΩ MIN
 CONTACT RESISTANCE: 10mΩ MAX
 WATER PROOF: IP67/68
 ENVIRONMENT
 OPERATION TEMPERATURE: -40°C ~ +85°C



NUT

RECOMMENDED PANEL CUT-OUT



RoHS COMPLIANT

UNITS IN INCHES [MM] DO NOT SCALE FROM DRAWING



THESE DRAWINGS AND SPECIFICATIONS ARE THE PROPERTY OF NorComp AND SHALL NOT BE REPRODUCED, COPIED OR USED AS THE BASIS FOR THE MANUFACTURE OR SALE OF APPARATUS WITHOUT WRITTEN PERMISSION.

DRAWN:
G. BROWN
 DATE:
 01/23/2019

NorComp

SCALE: NTS	SHEET 2	OF 2	REV 2
DWG NO.		FPM12A08IYYBF03	