

1217070-1 ✓ ACTIVE



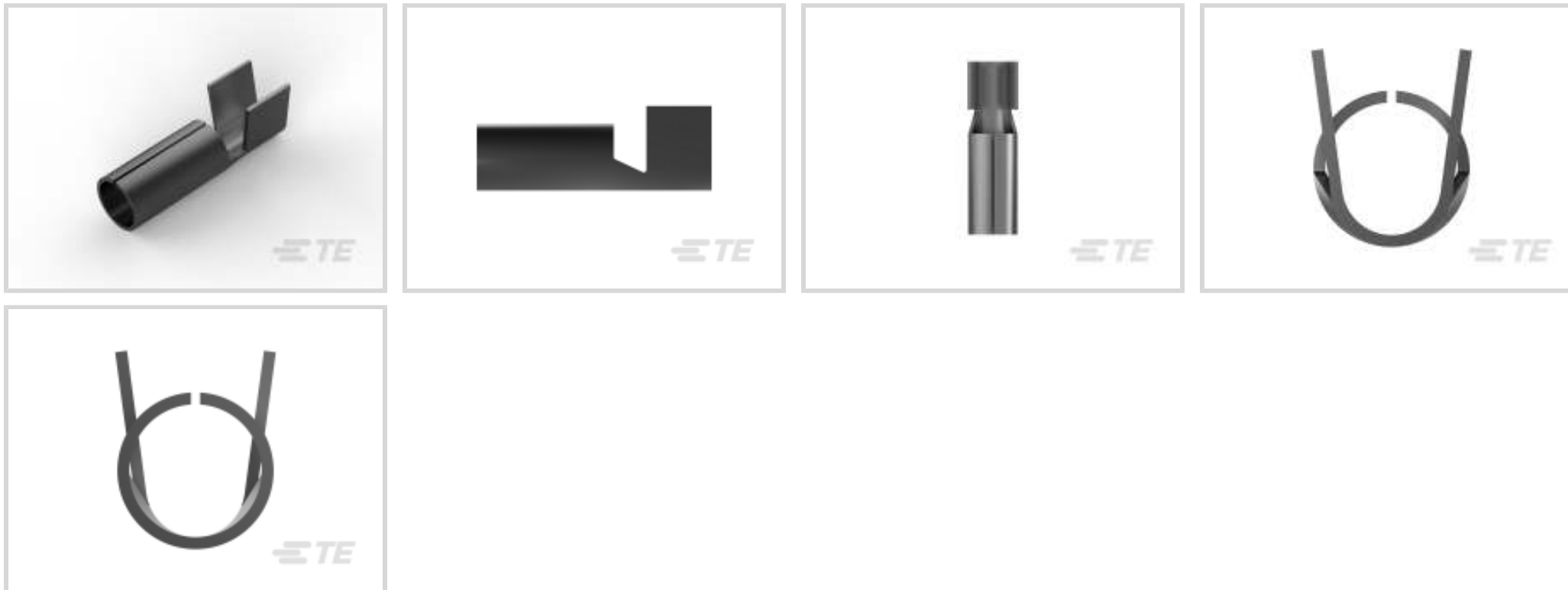
## SHUR-PLUG 180

TE Internal #: 1217070-1

Crimp Wire Pins, Tabs & Ferrules, Shur-Plug, Mating Pin Diameter 4.57 mm [.18 in], 12 – 8 AWG Wire Size, 2.64 – 3.32 mm<sup>2</sup> Wire Size, SHUR-PLUG 180

[View on TE.com >](#)

Terminals & Splices > Crimp Wire Pins, Tabs & Ferrules



Crimp Wire Terminal Type: **Shur-Plug**

Mating Pin Diameter: **4.57 mm [.18 in]**

Wire Size: **6529 – 16507 CMA**

### Features

#### Product Type Features

Compatible With Discrete Wire Type	Stranded
------------------------------------	----------

#### Configuration Features

Compatible With Wire & Cable Type	Discrete Wire
-----------------------------------	---------------

#### Contact Features

Crimp Wire Terminal Type	Shur-Plug
--------------------------	-----------

Mating Pin Diameter	4.57 mm [.18 in]
---------------------	------------------

Barrel Type	Open
-------------	------

Terminal Plating Material	Tin
---------------------------	-----

Terminal Orientation	Straight
----------------------	----------

#### Mechanical Attachment

Wire Insulation Support	Without
-------------------------	---------

#### Dimensions

Wire Size	6529 – 16507 CMA
-----------	------------------

Barrel Inside Diameter	3.3 mm [.13 in]
------------------------	-----------------

Terminal Material Thickness	.39 mm [.016 in]
-----------------------------	------------------



Overall Product Length 18.29 mm [.72 in]

### Usage Conditions

Insulation Option	Uninsulated
Operating Temperature Range	-40 – 105 °C [-40 – 221 °F]

### Packaging Features

Packaging Quantity	10000
Packaging Method	Reel

### Product Compliance

[For compliance documentation, visit the product page on TE.com>](#)

EU RoHS Directive 2011/65/EU	Compliant
EU ELV Directive 2000/53/EC	Compliant
China RoHS 2 Directive MIIT Order No 32, 2016	No Restricted Materials Above Threshold
EU REACH Regulation (EC) No. 1907/2006	Current ECHA Candidate List: JUNE 2023 (235) Candidate List Declared Against: JAN 2023 (233) Does not contain REACH SVHC
Halogen Content	Low Halogen - Br, Cl, F, I < 900 ppm per homogenous material. Also BFR/CFR/PVC Free
Solder Process Capability	Not applicable for solder process capability


#### Product Compliance Disclaimer

This information is provided based on reasonable inquiry of our suppliers and represents our current actual knowledge based on the information they provided. This information is subject to change. The part numbers that TE has identified as EU RoHS compliant have a maximum concentration of 0.1% by weight in homogenous materials for lead, hexavalent chromium, mercury, PBB, PBDE, DBP, BBP, DEHP, DIBP, and 0.01% for cadmium, or qualify for an exemption to these limits as defined in the Annexes of Directive 2011/65/EU (RoHS2). Finished electrical and electronic equipment products will be CE marked as required by Directive 2011/65/EU. Components may not be CE marked. Additionally, the part numbers that TE has identified as EU ELV compliant have a maximum concentration of 0.1% by weight in homogenous materials for lead, hexavalent chromium, and mercury, and 0.01% for cadmium, or qualify for an exemption to these limits as defined in the Annexes of Directive 2000/53/EC (ELV). Regarding the REACH Regulation, the information TE provides on SVHC in articles for this part number is based on the latest European Chemicals Agency (ECHA) 'Guidance on requirements for substances in articles' posted at this URL: <https://echa.europa.eu/guidance-documents/guidance-on-reach>

### Compatible Parts




TE Part # 170889-2  
SLEEVE DIA3 SHUR PLUG NAT



TE Part # 170887-3  
IS SHUR PLG 5 DIA NAT



TE Part # 170889-3  
SLEEVE DIA5 SHUR PLUG NAT



TE Part # 170889-1  
SLEEVE DIA5 SHUR PLUG NAT



TE Part # 170887-1  
SLEEVE DIA5 SHUR PLUG NAT



TE Part # 170887-4  
SLEEVE DIA5 SHUR PLUG NAT



TE Part # 62829-3  
156 SHUR PLUG 018 PTPBR



TE Part # 1217074-2  
SHUR PLUG,180,REC.,2 X 8 AWG,TPBR



TE Part # 2-2150921-2  
OCEAN\_2.0\_Applicator-E-180F



TE Part # 2150921-2  
OCEAN\_2.0\_Applicator-E-180F



TE Part # 444154-2  
SHUR PLUG 180 0.5-1.0MM2 0.45X27.6 PTPBR



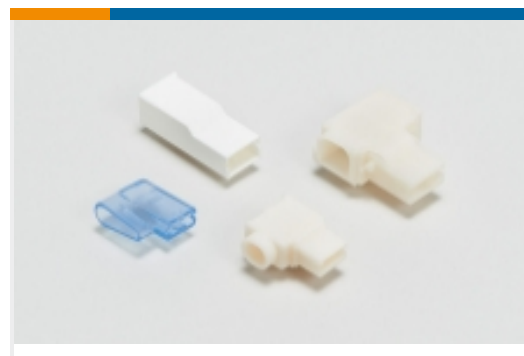
TE Part # 7-2150921-2  
OCEAN\_2.0\_Applicator-E-180F



**KIT**  
REPRESENTATION ONLY

TE Part # 7-2150921-7  
OCEAN\_2.0\_SPARE\_PART\_KIT-180F


Also in the Series | **SHUR-PLUG 180**



Crimp Terminal Housings(6)

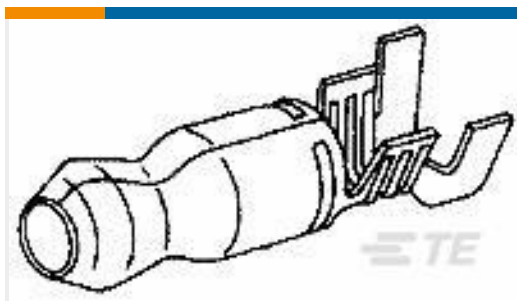


Crimp Wire Pins, Tabs & Ferrules(37)

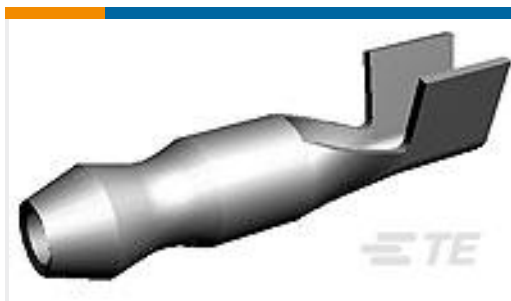


Special Purpose Terminals(1)

Customers Also Bought



TE Part #60660-1  
SHUR PLUG 180 18-14 AWG TPBR



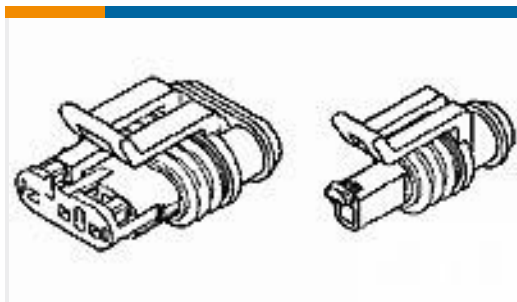
TE Part #42865-3  
SHUR PLUG 180 REVERSE REEL 14-10AWG TPBR



TE Part #42868-2  
SHUR PLUG 180 RECEPTACLE 14-10 AWG TPBR



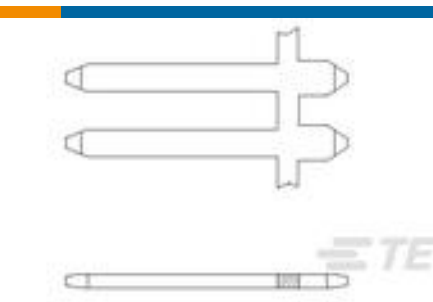
TE Part #1217606-1  
.156 DIA SHUR PLUG PTPBR



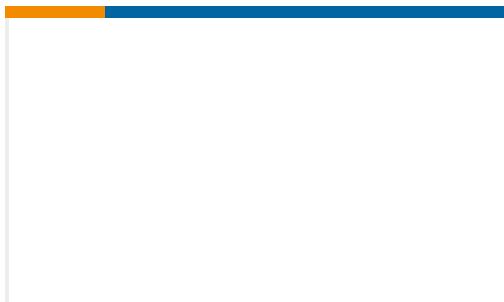
TE Part #284073-1  
AMP SUPERSEAL 1.5 SERIES 3P PL



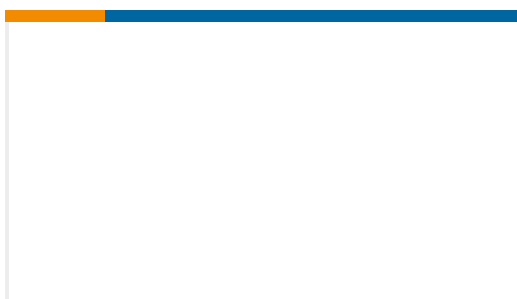
TE Part #1-456408-3  
CRIMPER WIRE .110 F



TE Part #147506-2  
MOD I POST PLTD SN



TE Part #690602-5  
CAM TERM FEED



TE Part #1642002-1  
TRUCK LITE ADAPTOR HARNESS 3 P



TE Part #2238187-1  
110 FASTON, TAB, PCB, TPBR

## Documents

### Product Drawings

[SHUR PLUG 180 RECEPTACLE 12-8 AWG TPBR](#)

English

### CAD Files

[3D PDF](#)

3D

Customer View Model

[ENG\\_CVM\\_CVM\\_1217070-1\\_E1.2d\\_dxf.zip](#)

English

Customer View Model

[ENG\\_CVM\\_CVM\\_1217070-1\\_E1.3d\\_igs.zip](#)

English

Customer View Model

[ENG\\_CVM\\_CVM\\_1217070-1\\_E1.3d\\_stp.zip](#)

English

By downloading the CAD file I accept and agree to the [Terms and Conditions](#) of use.

### Product Specifications



## Application Specification

English