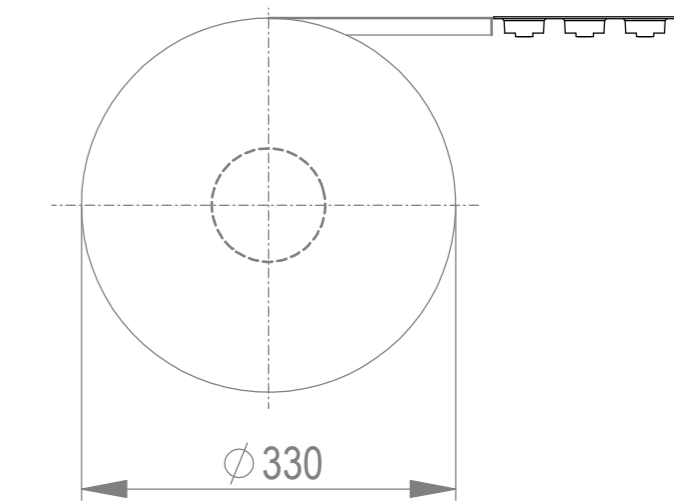
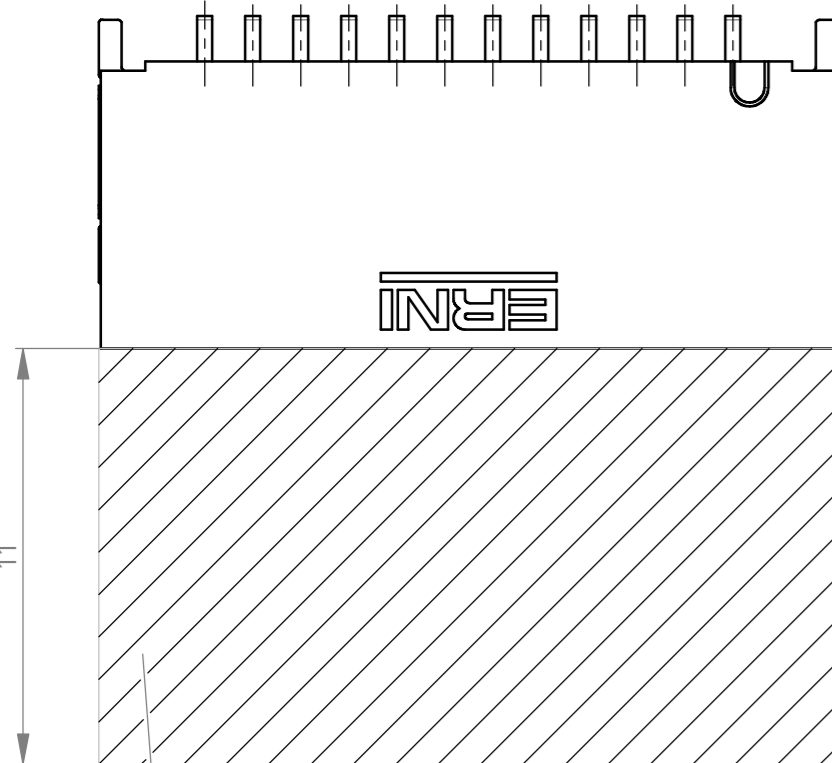
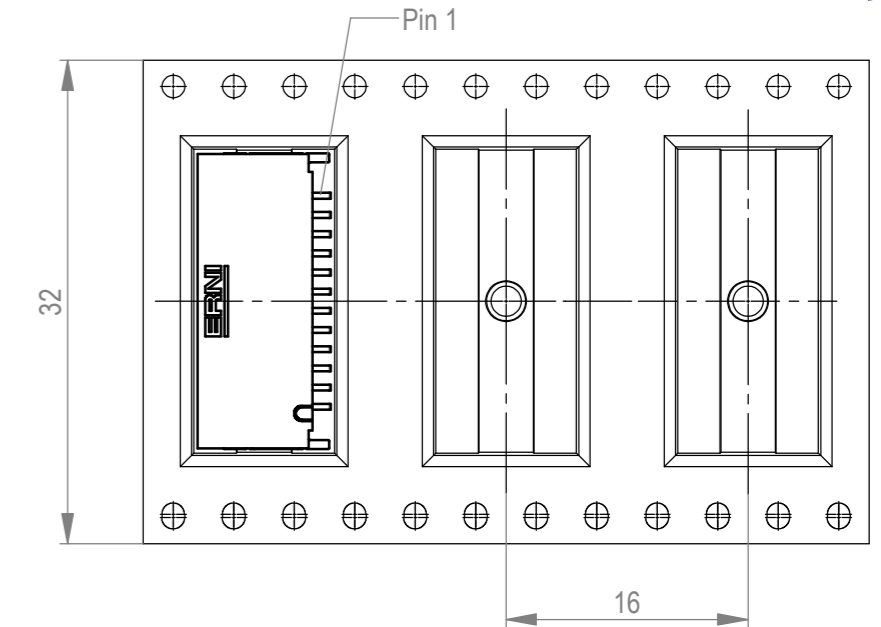


Verpackt im Gurt in Anlehnung an DIN IEC 60286-3
 tape on reel packaging according to DIN IEC 60286-3
 Verpackungseinheit: 900 Stück
 packaging unit: 900 pcs

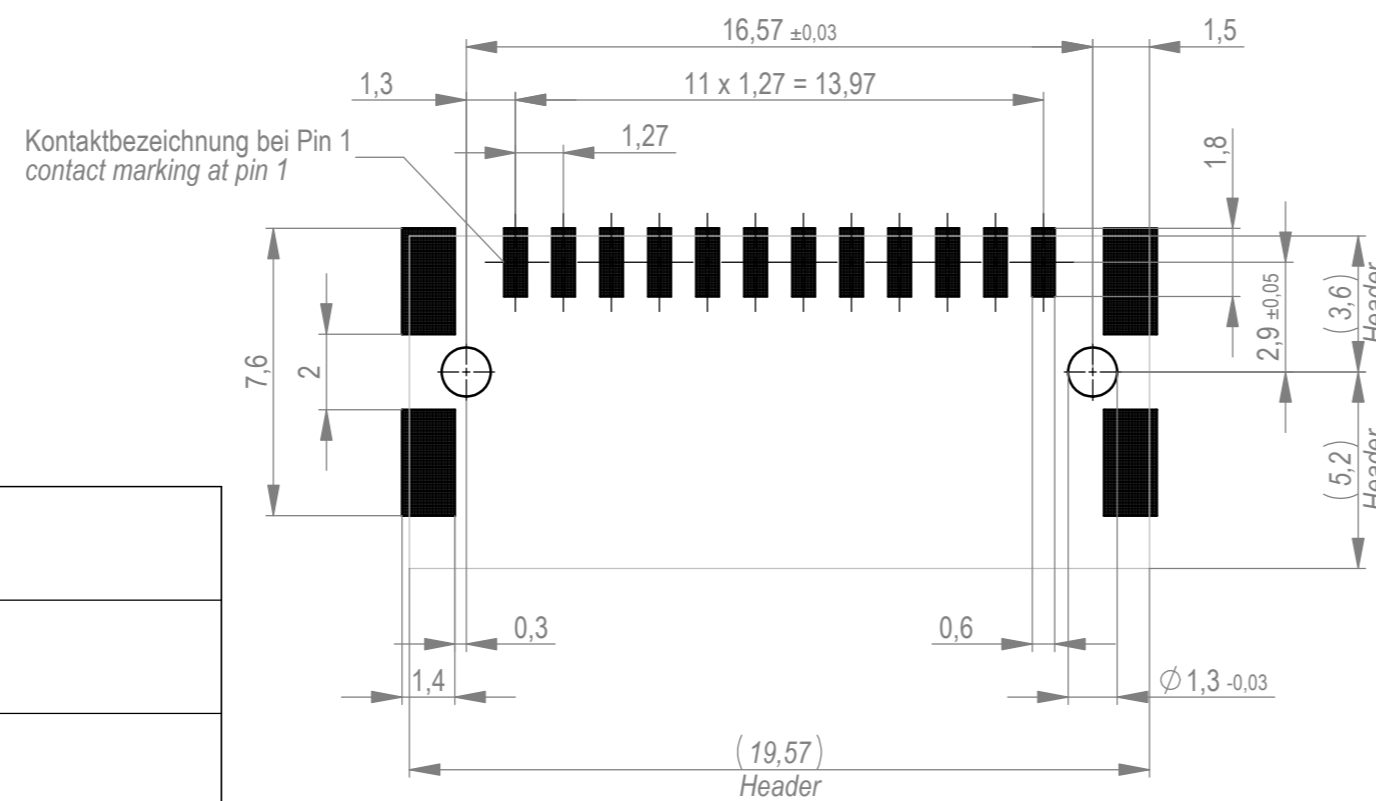


Abspulrichtung - reel off direction →



Sperrfläche für Leiterbahnen gültig bei Verwendung von Gegenstecker Federleiste 90° in IDC Ausführung
 Restricted area for conductors valid for use by mating female connector 90° in IDC version

Layoutvorschlag
 recommended layout



Anforderungsstufe 1
 performance level 1

Kontaktbereich vergoldet
 mating area gold plating

Anschlussbereich verzinkt 4-6 µm
 terminal area 4-6 µm tin plating

Koplanarität der Anschlüsse ≤ 0,1 mm
 coplanarity area of termination ≤ 0,1 mm

504308		rot red	2,25	
504307		grün green	2,25	
504306		blau blue	0,75	
504305		schwarz black	0,75	
Ident-Nr. part-no.	Codierung coding	Farbe colour	A	Bemerkung remark

Dimension no.	Tolerances ISO 2768-FH ISO 8015		Scale 5:1 Material
Customer drawing: All rights reserved. Only for information. To ensure that this is the latest version of this drawing, please contact one of the ERNI companies before using.	Subject to modification without prior notice. Drawing will not be updated.		MicroBridge Male Angeled SMT 12-pin 504304
c Index	23.09.2020 Date		ERNI International AG Zürichstrasse 72 8306 Brüttisellen - Zürich Switzerland
Class		MCBA	i A2