

NOTES:

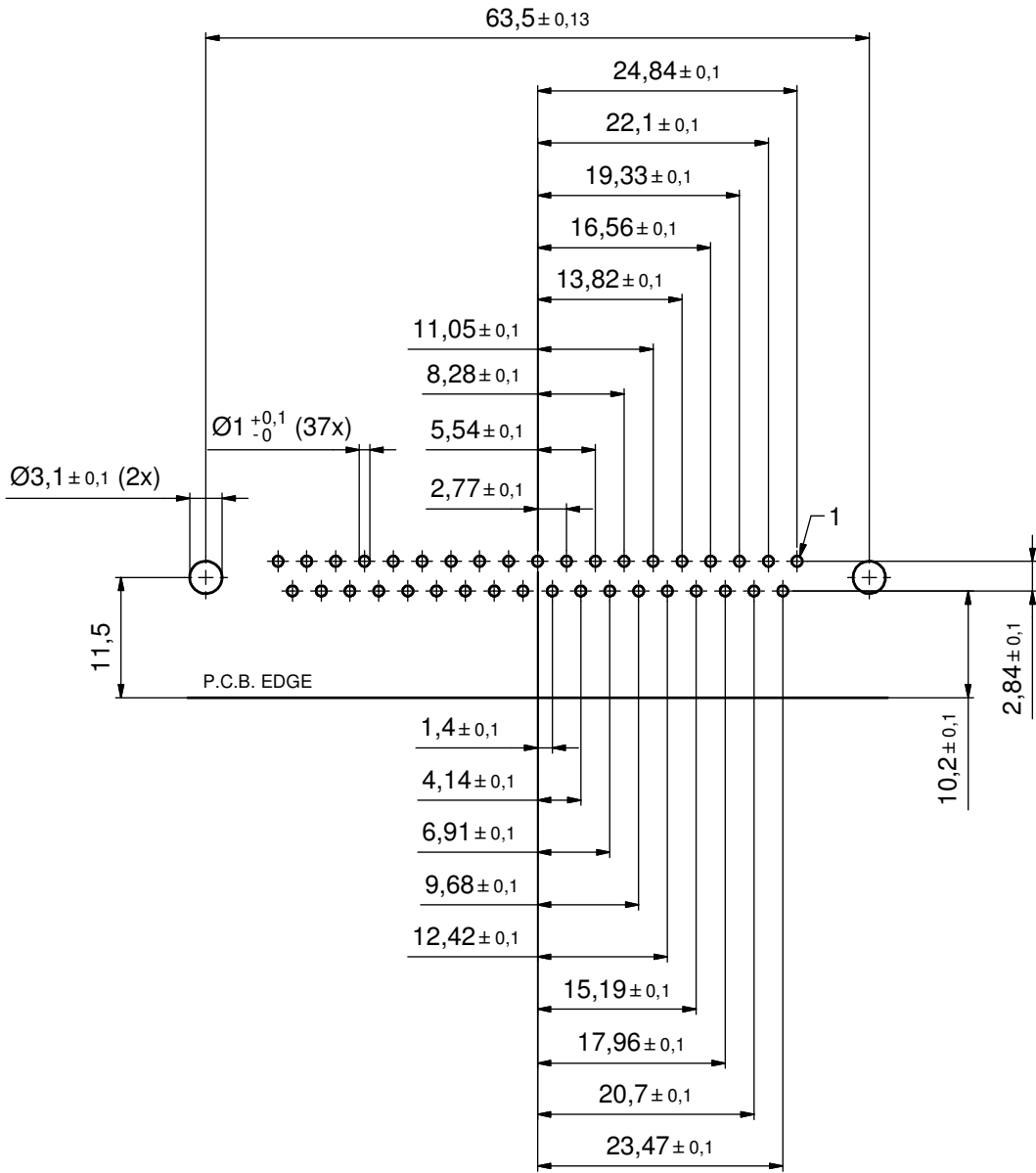
1. METAL SHELLS: STEEL; min. 315µm TIN over 40-80µm NICKEL
2. INSULATORS: PBT GF UL 94 V-0; BLACK
3. CONTACTS: COPPER ALLOY; PLATING (SEE PART NO):
 - PLEASE ADD A for GOLD FLASH over NICKEL (PREFERRED TYPE)
 - PLEASE ADD B for 20µm HARD GOLD over min. 50µm NICKEL
 - PLEASE ADD C for 30µm HARD GOLD over min. 50µm NICKEL
4. MOUNTING BRACKET: PBT GF UL 94 V-0; BLACK
5. THREADED LOCKS: COPPER ALLOY; min. 200µm TIN over 80µm NICKEL
6. GROUNDING CLIPS: COPPER ALLOY; min. 200µm TIN over 80µm NICKEL
PCB-HOLE: Ø3.1±0.1; PCB THICKNESS 1.6mm
7. P.C.B. HOLE DRILLINGS ON SHEET 2
8. MAXIMUM TORQUE VALUE FOR THREAD: 6 in.LB
9. CONNECTOR IS PART MARKED: **164□13119X CONEC ABC**

Directive 2002/95/EC RoHS compliant

THIS DRAWING MAY NOT BE COPIED OR REPRODUCED IN ANY WAY, AND MAY NOT BE PASSED ON TO A THIRD PARTY WITHOUT WRITTEN PERMISSION. OWNERSHIP AND COPYRIGHT OF CONEC GmbH DO NOT ALTER CAD DRAWING BY HAND	tolerance		dim. in mm		scale: 2:1 (5:1)	
					material: SEE NOTES	
			date	name	title:	
			drawn	11.07.14	Henneboel	D-SUB FEMALE 90° 37pos. SOLDER PIN ANGLED 0.370inch threaded lock, mounting bracket, grounding clip
		appd.	18.07.14	Lehmenkühler		
		norm				
		d-old	16K1IGLA/16K1A1148		dwg no:	
4 x b	A5273	11.07.2014	K.H.		DIN-A3	
a	Original				sh: 1/2	
rev.	description	date	name		part no: (b) 164□13119X (see note 3)	

P.C.B. HOLE DRILLINGS

(P.C.B. TOP SIDE)



THIS DRAWING MAY NOT BE COPIED OR REPRODUCED IN ANY WAY, AND MAY NOT BE PASSED ON TO A THIRD PARTY WITHOUT WRITTEN PERMISSION. OWNERSHIP AND COPYRIGHT OF CONEC GmbH DO NOT ALTER CAD DRAWING BY HAND				tolerance	 dim. in mm	scale: 2:1		
							material: SEE SHEET 1	
				date	name	title: P.C.B. HOLE DRILLINGS D-SUB FEMALE 90° 37pos. 0.370inch threaded lock,mounting bracket,grounding clip		
				drawn	11.07.14 Henneboel			
				appd.	11.07.14 Lehmenkühler			
				norm				
				d-old		dwg no:	DIN-A3	
	a	Original					16K1A3483	sh: 2/2
	rev.	description	date				name	part no: SEE SHEET 1