

AI120 -27 BU - Ferrule

3201822

<https://www.phoenixcontact.com/us/products/3201822>



Please be informed that the data shown in this PDF document is generated from our online catalog. Please find the complete data in the user documentation. Our general terms of use for downloads are valid.

Ferrule, sleeve length: 27 mm, length: 48 mm, color: blue



Your advantages

- The ferrules with plastic sleeve are made from soft tin-plated electrolytic copper
- The insulation reliability of close connections is increased and the splicing of wires is prevented

Commercial data

Item number	3201822
Packing unit	1 pc
Minimum order quantity	25 pc
Sales key	BH34
Product key	BH3411
Catalog page	Page 481 (C-3-2019)
GTIN	4017918156916
Weight per piece (including packing)	8.752 g
Weight per piece (excluding packing)	8.752 g
Customs tariff number	85369010
Country of origin	DE

AI120 -27 BU - Ferrule

3201822

<https://www.phoenixcontact.com/us/products/3201822>

Technical data

Notes

General	Ferrules are not included in DIN 46228-4: 1990-09
---------	---

Product properties

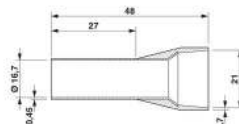
Product type	Cable end sleeve
--------------	------------------

Connection data

Conductor connection

Conductor cross section flexible max.	120 mm ²
Conductor cross section AWG max.	5
Stripping length	32 mm

Dimensions

Dimensional drawing	
Length	48 mm
Sleeve length	27 mm
Maximum stripping length	32 mm
Ferrule diameter	16.7 mm
Sleeve wall thickness	0.45 mm
Insulating collar thickness	0.7 mm
Inner dimensions of the insulating collar	21 mm

Material specifications

Color	blue
Material	E-CU
Flammability rating according to UL 94	HB
Coating	tin-plated (galvanic)
Components	free from silicone and halogen

Mechanical properties

Technical data

Sleeve length	27 mm
---------------	-------

Environmental and real-life conditions

Ambient conditions

Permanent temperature	105 °C (-40 °C no load / 0 °C dynamic load)
-----------------------	---

AI120 -27 BU - Ferrule

3201822

<https://www.phoenixcontact.com/us/products/3201822>



Short-term temperature	120 °C
------------------------	--------

Standards and regulations

Design according to standard	Special color
------------------------------	---------------

AI120 -27 BU - Ferrule

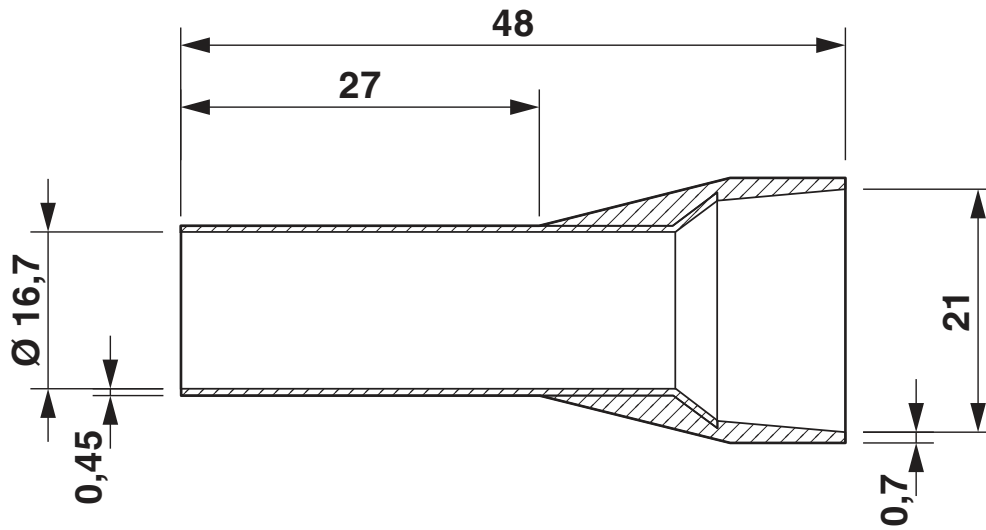
3201822

<https://www.phoenixcontact.com/us/products/3201822>



Drawings

Dimensional drawing



AI120 -27 BU - Ferrule



3201822

<https://www.phoenixcontact.com/us/products/3201822>

Classifications

ECLASS

ECLASS-11.0	27400201
ECLASS-13.0	27400201
ECLASS-12.0	27400201

ETIM

ETIM 8.0	EC000005
----------	----------

UNSPSC

UNSPSC 21.0	27121700
-------------	----------

AI120 -27 BU - Ferrule

3201822

<https://www.phoenixcontact.com/us/products/3201822>



Environmental product compliance

China RoHS	Environmentally friendly use period: unlimited = EFUP-e
	No hazardous substances above threshold values

Phoenix Contact 2023 © - all rights reserved
<https://www.phoenixcontact.com>

Phoenix Contact USA
586 Fulling Mill Road
Middletown, PA 17057, United States
(+717) 944-1300
info@phoenixcon.com