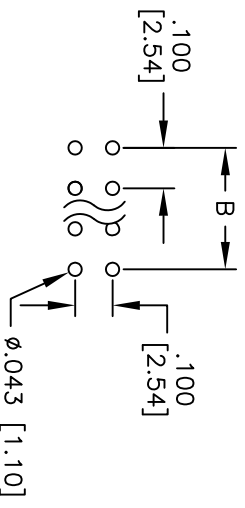
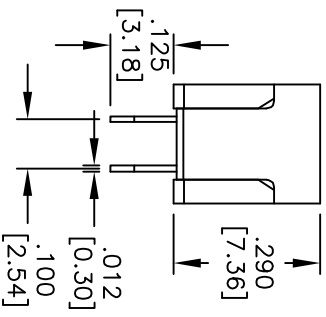
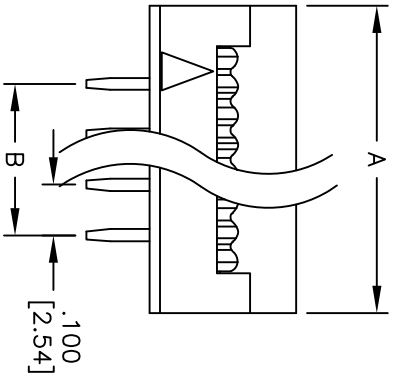
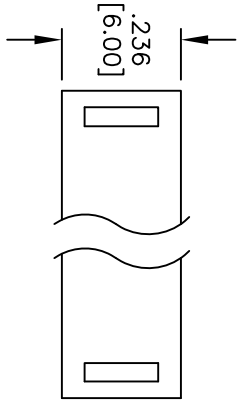


APPROVED: \_\_\_\_\_  
 DATE: \_\_\_\_\_ TITLE: \_\_\_\_\_

Rev	AWO #	Description	Date	Appr
-		RELEASED	11/16/04	
		ADDED ROHS LOGO	02/14/07	BAS
A		ADDED 6 POSITION	10/16/08	SS
B		REDRAWN	12/24/10	



RECOMMENDED PCB LAYOUT

**SPECIFICATIONS:**

**Material:** Insulator: PBT, glass filled, rated UL 94V-0  
 Insulator color: Black  
**Contacts:** Brass  
**Plating:** Tin over Copper underplate overall  
**Electrical:** Operating voltage: 250 VAC max.  
 Current rating: 1 Amp max.  
 Contact resistance: 30 mohms max. initial  
 Insulation resistance: 1,000 Mohms min @ 500 VDC.  
 Dielectric withstanding voltage: 500 VAC for 1 minute  
 Temperature Rating: Operating temperature: -40°C to +105°C  
**Environmental:** Lead free, RoHS compliant

Positions: 6, 8, 10, 12, 14, 16, 18, 20, 24, 26, 30, 34, 36, 40, 50, 60, 64  
 A = .100 [2.54] x No. of Spaces per Row + .315 [7.99]  
 B = .100 [2.54] x No. of Spaces per Row

**ADAM TECH**

909 Rahway Avenue, Union, NJ 07083  
 Phone: 908-687-5000 Fax: 908-687-5710

TITLE: IDC DIP PLUG, .100 [2.54] X .100 [2.54] PITCH  
 TIN PLATED

UNLESS OTHERWISE SPECIFIED ALL DIMENSIONS ARE INCHES [MM]		TOLERANCES: EXCEPT AS NOTED	
INCHES		HOLE SIZE	
.X	± .10	Ø.X	± .10
.XX	± .020	Ø.XXX	± .015
.XXX	± .015	Ø.XXX	± .010
APPROVALS	DATE		
DRAWN	SS	11/16/04	
CHECKED			
APPROVED			
REF: S00087T	SCALE: NTS	SHEET 1 OF 1	

