
10-Channel Serial-Input Latched Display Driver

Features

- High Output Voltage 80V
- High-speed 5 MHz at 5 V_{DD}
- Low-power I_{BB} ≤ 0.1 mA (All High)
- Active Pull-down 100 μA Minimum at 25°C
- Output Source Current 25 mA at 60V V_{BB}
- 10-channel Display Driver
- High-speed Serially-shifted Data Input
- 5V CMOS-compatible Inputs
- Latches on all Driver Outputs
- Pin-compatible Replacement for UCN5810A, TL4810A and TL4810B

Applications

- High-speed Dot Matrix Print Head Driver
- Vacuum Fluorescent Display (VFD) Driver

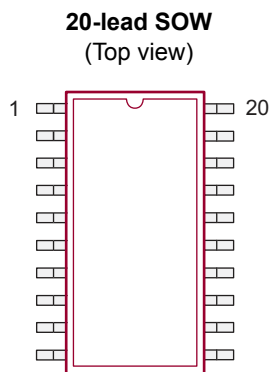
General Description

The HV6810 is a monolithic integrated circuit designed to drive a dot matrix or segmented VFD. These devices feature a serial data output to cascade additional devices for large displays.

A 10-bit data word is serially loaded into the shift register on the positive-going transition of the clock. Parallel data are transferred to the output buffers through a 10-bit D-type latch while the latch enable input is high. The data are latched when the latch enable is low. When the blanking input is high, all of the outputs are low.

Outputs are structures formed by double-diffused MOS (DMOS) transistors with output voltage ratings of 80V and 25 mA source-current capability. All inputs are compatible with CMOS levels.

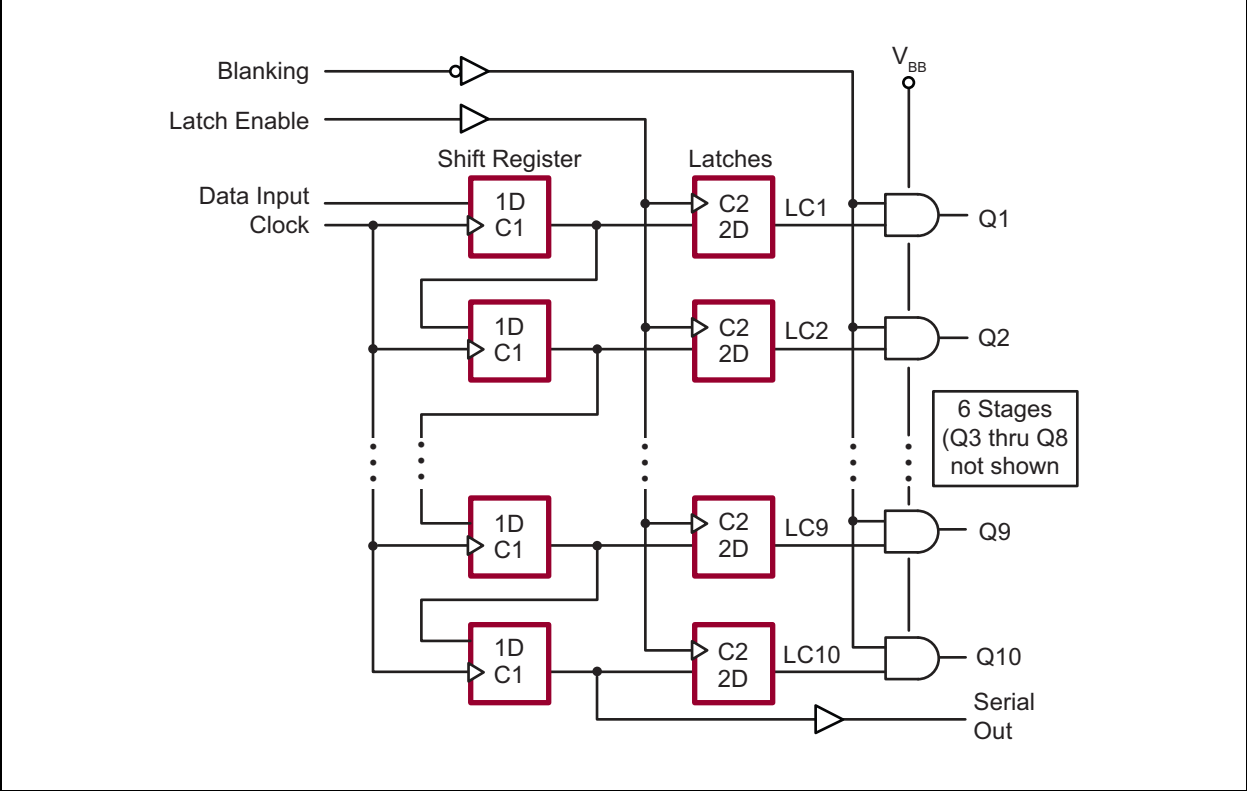
Package Type



See [Table 2-1](#) for pin information.

HV6810

Functional Block Diagram



1.0 ELECTRICAL CHARACTERISTICS

Absolute Maximum Ratings† (Note 1)

Logic Supply Voltage, V_{DD} (Note 2)	7.5V
Driver Supply Voltage, V_{BB} (Note 2)	90V
Output Voltage (Note 2)	90V
Input Voltage (Note 2)	-0.3V to $V_{DD} + 0.3V$
Operating Ambient Temperature, T_A	-45°C to +85°C
Continuous Total Power Dissipation at 25°C Free-air Temperature:	
20-lead SOW (Note 3)	1500 mW

† **Notice:** Stresses above those listed under “Absolute Maximum Ratings” may cause permanent damage to the device. This is a stress rating only, and functional operation of the device at those or any other conditions above those indicated in the operational sections of this specification is not intended. Exposure to maximum rating conditions for extended periods may affect device reliability.

- Note 1:** Over operating free-air temperature
2: All voltages are referenced to V_{SS} .
3: For operations above 25°C ambient, derate linearly to 85°C at 15 mW/°C.

RECOMMENDED OPERATING CONDITIONS

Parameter	Sym.	Min.	Typ.	Max.	Unit	Conditions
Logic Supply Voltage	V_{DD}	4.5	—	5.5	V	
High Supply Voltage	V_{BB}	20	—	80	V	
Supply Voltage	V_{SS}	—	0	—	V	
High-level Input Voltage (for $V_{DD} = 5V$)	V_{IH}	3.5	—	5.3	V	
Low-level Input Voltage	V_{IL}	-0.3	—	0.8	V	
Continuous High-level Q Output Current	I_{OH}	25	—	—	mA	
Clock Frequency	f_{CLK}	—	—	5	MHz	
Operating Ambient Temperature	T_A	-40	—	+85	°C	

DC ELECTRICAL CHARACTERISTICS

Electrical Specifications: $V_{DD} = 5V$, $V_{BB} = 60V$, $V_{SS} = 0V$ and $T_A = 25°C$ unless otherwise noted.						
Parameter	Sym.	Min.	Typ.	Max	Unit	Conditions
High-level Output Voltage	Q Outputs	57.5	58	—	V	$I_O = +25$ mA
	Serial Output	4	4.5	—		
Low-level Output Voltage	Q Outputs	—	0.15	1	V	$I_O = -100$ μA , blinking input at V_{DD}
	Serial Output	—	0.05	0.1		
Low-level Q Output Current (Pull-down Current)	I_{OL}	60	80	—	μA	$T_A = \text{Max}$, $V_{OL} = +0.7V$ (Note 1)
Off-state Output Current	$I_{O(OFF)}$	—	-1	-15	μA	$V_O = 0V$, blinking input at V_{DD} (Note 1)
High-level Input Current	I_{IH}	—	—	1	μA	$V_{IN} = V_{DD}$
Supply Current from V_{DD} (Standby)	I_{DD}	—	10	50	μA	All inputs at 0V, one Q output high
		—	10	50		All inputs at 0V, all Q outputs low

Note 1: All typical values are at $T_A = 25°C$ except for I_{OL} and $I_{O(OFF)}$.

HV6810

DC ELECTRICAL CHARACTERISTICS (CONTINUED)

Electrical Specifications: $V_{DD} = 5V$, $V_{BB} = 60V$, $V_{SS} = 0V$ and $T_A = 25^\circ C$ unless otherwise noted.						
Parameter	Sym.	Min.	Typ.	Max	Unit	Conditions
Supply Current from V_{BB}	I_{BB}	—	0.05	0.1	mA	All outputs low, all Q outputs open
		—	0.05	0.1		All outputs high, all Q outputs open

Note 1: All typical values are at $T_A = 25^\circ C$ except for I_{OL} and $I_{O(OFF)}$.

AC ELECTRICAL CHARACTERISTICS

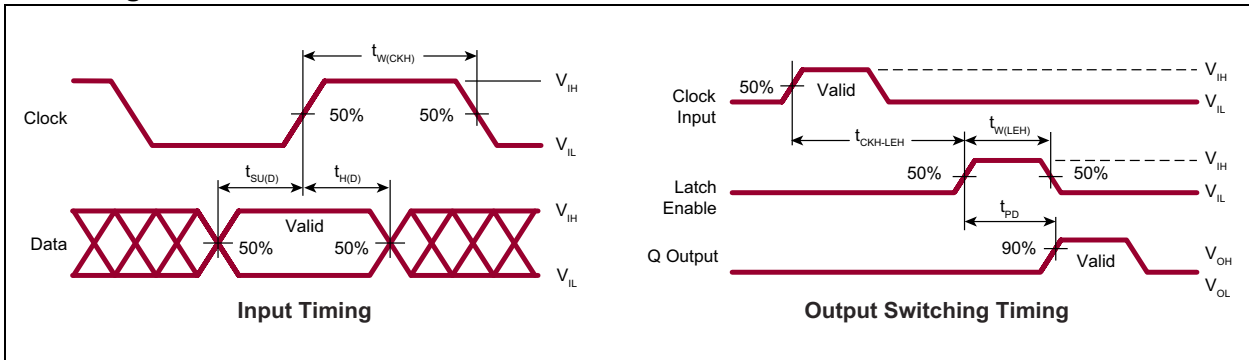
Electrical Specifications: Timing requirements are over the recommended operating conditions.						
Parameter	Sym.	Min.	Typ.	Max	Unit	Conditions
Pulse Duration, Clock High	$t_{W(CKH)}$	100	—	—	ns	
Pulse Duration, Latch Enable High	$t_{W(LEH)}$	100	—	—	ns	
Setup Time, Data before Clock	$t_{SU(D)}$	50	—	—	ns	
Hold Time, Data after Clock	$t_{H(D)}$	50	—	—	ns	
Delay Time, Clock to Latch Enable High	$t_{CKH-LEH}$	50	—	—	ns	
Propagation Delay Time, Latch Enable to Output	t_{PD}	—	300	—	ns	Note 1

Note 1: Switching characteristics, $V_{BB} = 60V$, $T_A = 25^\circ C$

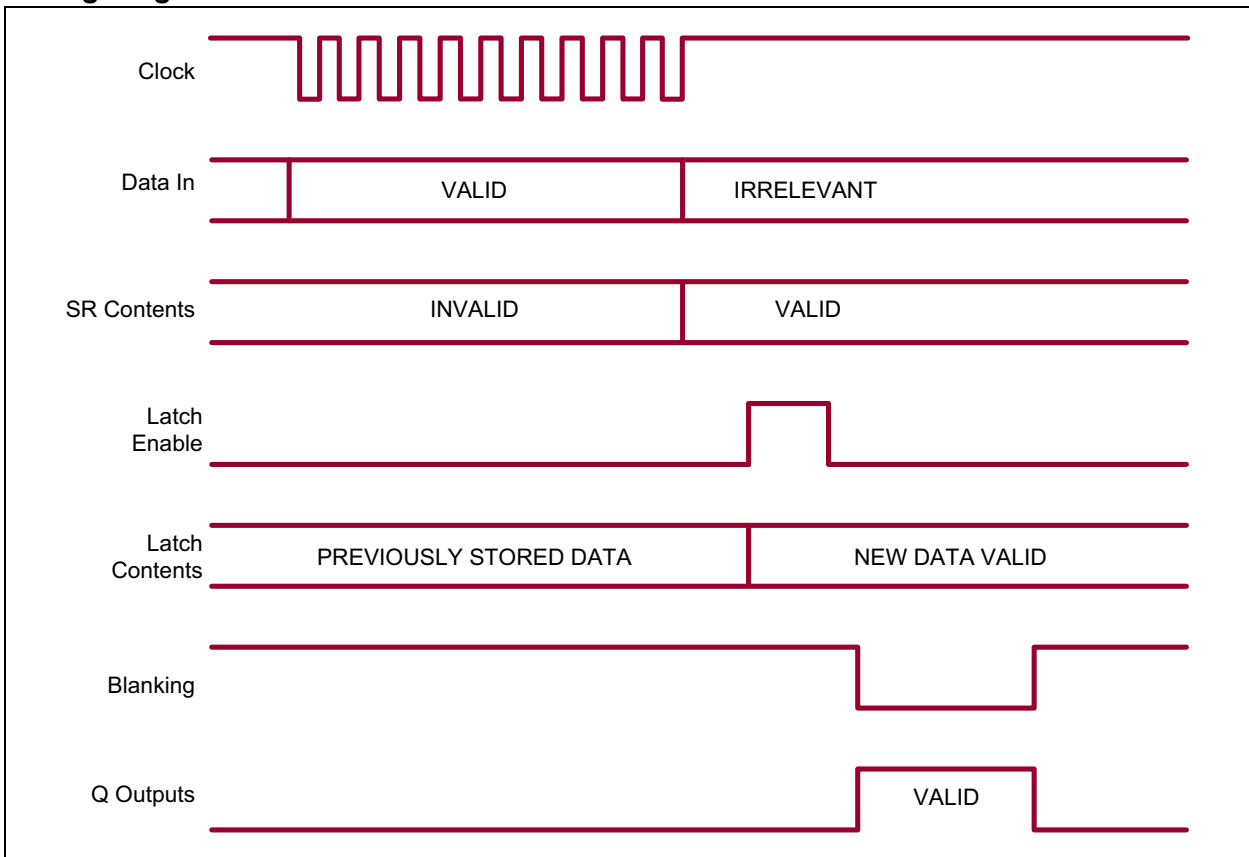
TEMPERATURE SPECIFICATIONS

Parameter	Sym.	Min.	Typ.	Max.	Unit	Conditions
TEMPERATURE RANGE						
Operating Ambient Temperature	T_A	-40	—	+85	$^\circ C$	
PACKAGE THERMAL RESISTANCE						
20-lead SOW	θ_{JA}	—	66	—	$^\circ C/W$	

Switching Waveforms



Timing Diagram



HV6810

2.0 PIN DESCRIPTION

The details on the pins of HV6810 are listed on [Table 2-1](#). Refer to [Package Type](#) for the location of pins.

TABLE 2-1: PIN FUNCTION TABLE

Pin Number	Pin Name	Description
1	Q8	High-voltage output
2	Q7	
3	Q6	
4	CLOCK	Input data are shifted into the data shift register on the positive edge of the clock.
5	VSS	Usually $V_{SS} = 0V$; ground connection
6	N/C	No connection
7	VDD	Low-voltage power supply
8	LE (STROBE)	When LE is high, the shift register output is latched to Q output. When LE stays high, the latches are in Transparent mode.
9	Q5	High-voltage output
10	Q4	
11	Q3	
12	Q2	
13	Q1	
14	BLANKING	When blanking is high, all Q's are forced to a Low state regardless of data in each channel.
15	DATA IN	Input data for the input shift register
16	VBB	High-voltage power supply
17	SERIAL DATA OUT	Output data from the shift register
18	N/C	No connection
19	Q10	High-voltage output
20	Q9	

3.0 FUNCTIONAL DESCRIPTION

Follow the steps below to power up and power down the HV6810.

POWER-UP AND POWER-DOWN SEQUENCE ¹

Power-up		Power-down	
Step	Description	Step	Description
1	Connect ground V_{SS} .	1	Remove V_{BB} .
2	Apply V_{DD} .	2	Remove all inputs.
3	Set all inputs (Data, CLK, Enable, etc.) to a known state.	3	Remove V_{DD} .
4	Apply V_{BB} .	4	Disconnect ground V_{SS} .

Note 1: The V_{BB} should not drop below V_{DD} or float during operation.

FUNCTION TABLE ¹

Serial Data Input	Clock Input	Shift Register Contents				Serial Data Output	LE Strobe Input	Latch Contents				Blanking Input	Output Contents				
		I_1	I_2	$I_3...I_{N-1}$	I_N			I_1	I_2	$I_3...I_{N-1}$	I_N		O_1	O_2	$O_3...O_{N-1}$	O_N	
H	L to H	H	R_1	$R_2...R_{N-2}$	R_{N-1}	R_{N-1}	—	—	—	—	—	—	—	—	—	—	—
L	L to H	L	R_1	$R_2...R_{N-2}$	R_{N-1}	R_{N-1}	—	—	—	—	—	—	—	—	—	—	—
X	H to L	R_1	R_2	$R_3...R_{N-1}$	R_N	R_N	—	—	—	—	—	—	—	—	—	—	—
—	—	X	X	$X...X$	X	X	L	R_1	R_2	$R_3...R_{N-1}$	R_N	—	—	—	—	—	—
		P_1	P_2	$P_3...P_{N-1}$	P_N	P_N	H	P_1	P_2	$P_3...P_{N-1}$	P_N	L	P_1	P_2	$P_3...P_{N-1}$	P_N	
		—	—	—	—	—	—	X	X	$X...X$	X	H	L	L	$L...L$	L	

Note 1: L = Low logic level
H = High logic level
X = Don't care
P = Present state
R = Previous state

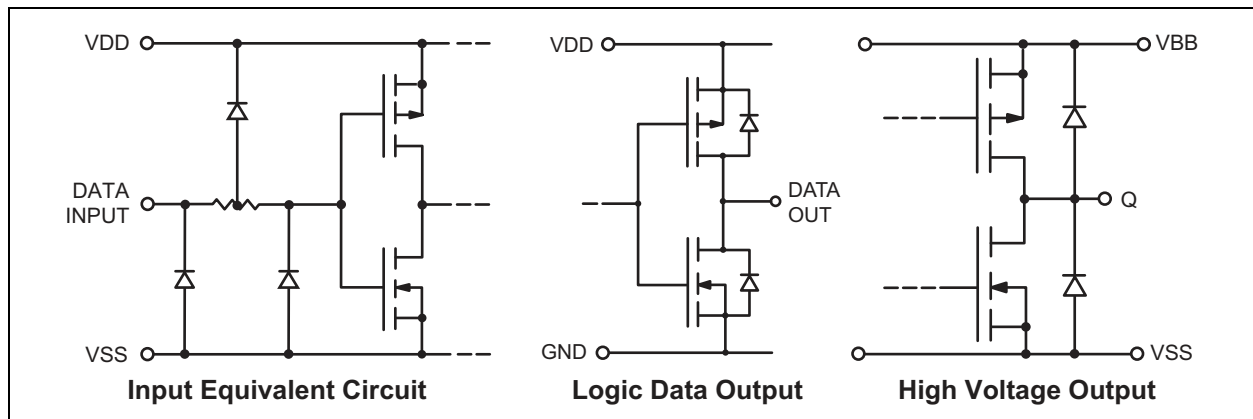
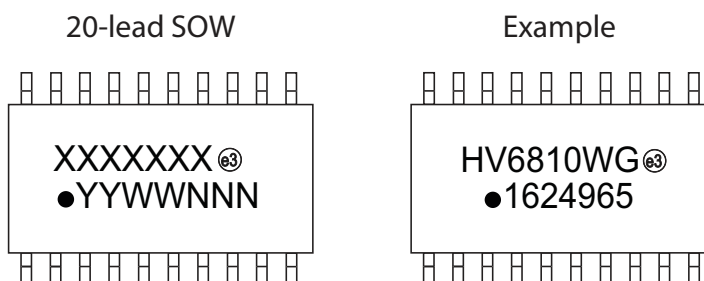


FIGURE 3-1: Input and Output Equivalent Circuits.

HV6810

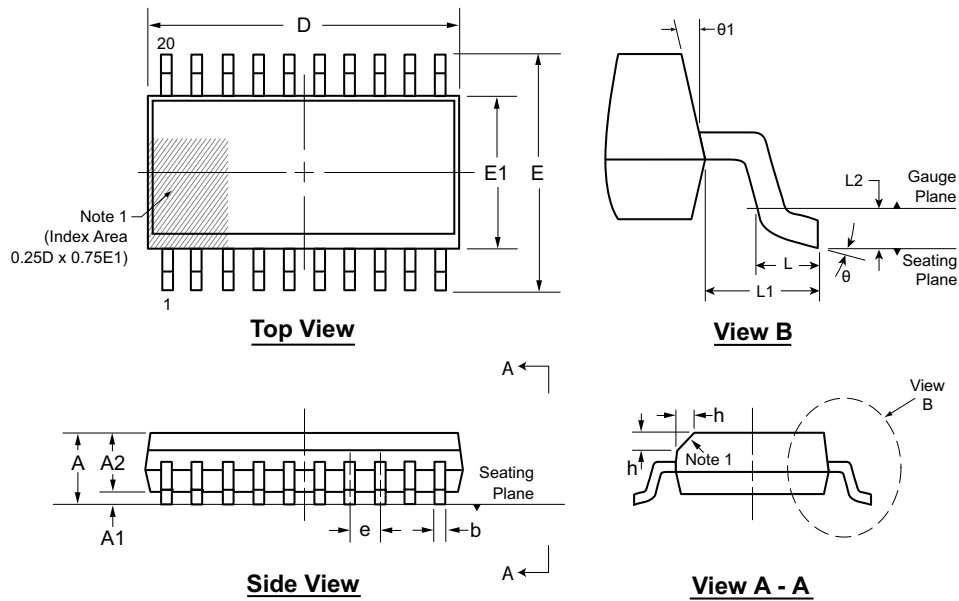
4.0 PACKAGE MARKING INFORMATION

4.1 Packaging Information



Legend:	XX...X	Product Code or Customer-specific information
	Y	Year code (last digit of calendar year)
	YY	Year code (last 2 digits of calendar year)
	WW	Week code (week of January 1 is week '01')
	NNN	Alphanumeric traceability code
	(e3)	Pb-free JEDEC® designator for Matte Tin (Sn)
	*	This package is Pb-free. The Pb-free JEDEC designator (e3) can be found on the outer packaging for this package.
Note:	In the event the full Microchip part number cannot be marked on one line, it will be carried over to the next line, thus limiting the number of available characters for product code or customer-specific information. Package may or not include the corporate logo.	

20-Lead SOW (Wide Body) Package Outline (WG) 12.80x7.50mm body, 2.65mm height (max), 1.27mm pitch



Note: For the most current package drawings, see the Microchip Packaging Specification at www.microchip.com/packaging.

Note:

1. A Pin 1 identifier must be located in the index area indicated. The Pin 1 identifier can be: a molded mark/identifier; an embedded metal marker; or a printed indicator.

Symbol	A	A1	A2	b	D	E	E1	e	h	L	L1	L2	θ	θ1		
Dimension (mm)	MIN	2.15*	0.10	2.05	0.31	12.60*	9.97*	7.40*	1.27 BSC	0.25	0.40	1.40 REF	0.25 BSC	0°	5°	
	NOM	-	-	-	-	12.80	10.30	7.50		-	-		1.40 REF	0.25 BSC	-	-
	MAX	2.65	0.30	2.55*	0.51	13.00*	10.63*	7.60*		0.75	1.27		1.40 REF	0.25 BSC	8°	15°

JEDEC Registration MS-013, Variation AC, Issue E, Sep. 2005.
* This dimension is not specified in the JEDEC drawing.

Drawings are not to scale.

HV6810

NOTES:

APPENDIX A: REVISION HISTORY

Revision A (October 2016)

- Converted Supertex Doc# DSFP-HV6810 to Microchip DS20005626A
- Removed the PJ package option
- Changed the quantity of the WG package from 1000/Reel to 1600/Reel
- Made minor text changes throughout the document

HV6810

PRODUCT IDENTIFICATION SYSTEM

To order or obtain information, e.g., on pricing or delivery, contact your local Microchip representative or sales office.

<u>PART NO.</u>	<u>XX</u>	-	<u>X</u>	-	<u>X</u>
Device	Package Options		Environmental		Media Type
Device:	HV6810	=	10-Channel Serial-Input Latched Display Driver		
Package:	WG	=	20-lead SOIC		
Environmental:	G	=	Lead (Pb)-free/RoHS-compliant Package		
Media Type:	(blank)	=	1600/Reel for a WG Package		

Example:

a) HV6810WG-G: 10-Channel Serial-Input Latched Display Driver, 20-lead SOIC, 1600/Reel for a WG Package

Note the following details of the code protection feature on Microchip devices:

- Microchip products meet the specification contained in their particular Microchip Data Sheet.
- Microchip believes that its family of products is one of the most secure families of its kind on the market today, when used in the intended manner and under normal conditions.
- There are dishonest and possibly illegal methods used to breach the code protection feature. All of these methods, to our knowledge, require using the Microchip products in a manner outside the operating specifications contained in Microchip's Data Sheets. Most likely, the person doing so is engaged in theft of intellectual property.
- Microchip is willing to work with the customer who is concerned about the integrity of their code.
- Neither Microchip nor any other semiconductor manufacturer can guarantee the security of their code. Code protection does not mean that we are guaranteeing the product as “unbreakable.”

Code protection is constantly evolving. We at Microchip are committed to continuously improving the code protection features of our products. Attempts to break Microchip's code protection feature may be a violation of the Digital Millennium Copyright Act. If such acts allow unauthorized access to your software or other copyrighted work, you may have a right to sue for relief under that Act.

Information contained in this publication regarding device applications and the like is provided only for your convenience and may be superseded by updates. It is your responsibility to ensure that your application meets with your specifications. MICROCHIP MAKES NO REPRESENTATIONS OR WARRANTIES OF ANY KIND WHETHER EXPRESS OR IMPLIED, WRITTEN OR ORAL, STATUTORY OR OTHERWISE, RELATED TO THE INFORMATION, INCLUDING BUT NOT LIMITED TO ITS CONDITION, QUALITY, PERFORMANCE, MERCHANTABILITY OR FITNESS FOR PURPOSE. Microchip disclaims all liability arising from this information and its use. Use of Microchip devices in life support and/or safety applications is entirely at the buyer's risk, and the buyer agrees to defend, indemnify and hold harmless Microchip from any and all damages, claims, suits, or expenses resulting from such use. No licenses are conveyed, implicitly or otherwise, under any Microchip intellectual property rights unless otherwise stated.

Microchip received ISO/TS-16949:2009 certification for its worldwide headquarters, design and wafer fabrication facilities in Chandler and Tempe, Arizona; Gresham, Oregon and design centers in California and India. The Company's quality system processes and procedures are for its PIC® MCUs and dsPIC® DSCs, KEELOQ® code hopping devices, Serial EEPROMs, microperipherals, nonvolatile memory and analog products. In addition, Microchip's quality system for the design and manufacture of development systems is ISO 9001:2000 certified.

**QUALITY MANAGEMENT SYSTEM
CERTIFIED BY DNV
= ISO/TS 16949 =**

Trademarks

The Microchip name and logo, the Microchip logo, AnyRate, dsPIC, FlashFlex, flexPWR, Heldo, JukeBlox, KeeLoq, KeeLoq logo, Klear, LANCheck, LINK MD, MediaLB, MOST, MOST logo, MPLAB, OptoLyzer, PIC, PICSTART, PIC32 logo, RightTouch, SpyNIC, SST, SST Logo, SuperFlash and UNI/O are registered trademarks of Microchip Technology Incorporated in the U.S.A. and other countries.

ClockWorks, The Embedded Control Solutions Company, ETHERSYNCH, Hyper Speed Control, HyperLight Load, IntelliMOS, mTouch, Precision Edge, and QUIET-WIRE are registered trademarks of Microchip Technology Incorporated in the U.S.A.

Analog-for-the-Digital Age, Any Capacitor, AnyIn, AnyOut, BodyCom, chipKIT, chipKIT logo, CodeGuard, dsPICDEM, dsPICDEM.net, Dynamic Average Matching, DAM, ECAN, EtherGREEN, In-Circuit Serial Programming, ICSP, Inter-Chip Connectivity, JitterBlocker, KlearNet, KlearNet logo, MiWi, motorBench, MPASM, MPF, MPLAB Certified logo, MPLIB, MPLINK, MultiTRAK, NetDetach, Omniscient Code Generation, PICDEM, PICDEM.net, PICkit, PICtail, PureSilicon, RightTouch logo, REAL ICE, Ripple Blocker, Serial Quad I/O, SQL, SuperSwitcher, SuperSwitcher II, Total Endurance, TSHARC, USBCheck, VariSense, ViewSpan, WiperLock, Wireless DNA, and ZENA are trademarks of Microchip Technology Incorporated in the U.S.A. and other countries.

SQTP is a service mark of Microchip Technology Incorporated in the U.S.A.

Silicon Storage Technology is a registered trademark of Microchip Technology Inc. in other countries.

GestIC is a registered trademarks of Microchip Technology Germany II GmbH & Co. KG, a subsidiary of Microchip Technology Inc., in other countries.

All other trademarks mentioned herein are property of their respective companies.

© 2016, Microchip Technology Incorporated, Printed in the U.S.A., All Rights Reserved.

ISBN: 978-1-5224-1003-4



MICROCHIP

Worldwide Sales and Service

AMERICAS

Corporate Office
2355 West Chandler Blvd.
Chandler, AZ 85224-6199
Tel: 480-792-7200
Fax: 480-792-7277
Technical Support:
<http://www.microchip.com/support>
Web Address:
www.microchip.com

Atlanta
Duluth, GA
Tel: 678-957-9614
Fax: 678-957-1455

Austin, TX
Tel: 512-257-3370

Boston
Westborough, MA
Tel: 774-760-0087
Fax: 774-760-0088

Chicago
Itasca, IL
Tel: 630-285-0071
Fax: 630-285-0075

Cleveland
Independence, OH
Tel: 216-447-0464
Fax: 216-447-0643

Dallas
Addison, TX
Tel: 972-818-7423
Fax: 972-818-2924

Detroit
Novi, MI
Tel: 248-848-4000

Houston, TX
Tel: 281-894-5983

Indianapolis
Noblesville, IN
Tel: 317-773-8323
Fax: 317-773-5453

Los Angeles
Mission Viejo, CA
Tel: 949-462-9523
Fax: 949-462-9608

New York, NY
Tel: 631-435-6000

San Jose, CA
Tel: 408-735-9110

Canada - Toronto
Tel: 905-695-1980
Fax: 905-695-2078

ASIA/PACIFIC

Asia Pacific Office
Suites 3707-14, 37th Floor
Tower 6, The Gateway
Harbour City, Kowloon

Hong Kong
Tel: 852-2943-5100
Fax: 852-2401-3431

Australia - Sydney
Tel: 61-2-9868-6733
Fax: 61-2-9868-6755

China - Beijing
Tel: 86-10-8569-7000
Fax: 86-10-8528-2104

China - Chengdu
Tel: 86-28-8665-5511
Fax: 86-28-8665-7889

China - Chongqing
Tel: 86-23-8980-9588
Fax: 86-23-8980-9500

China - Dongguan
Tel: 86-769-8702-9880

China - Guangzhou
Tel: 86-20-8755-8029

China - Hangzhou
Tel: 86-571-8792-8115
Fax: 86-571-8792-8116

China - Hong Kong SAR
Tel: 852-2943-5100
Fax: 852-2401-3431

China - Nanjing
Tel: 86-25-8473-2460
Fax: 86-25-8473-2470

China - Qingdao
Tel: 86-532-8502-7355
Fax: 86-532-8502-7205

China - Shanghai
Tel: 86-21-5407-5533
Fax: 86-21-5407-5066

China - Shenyang
Tel: 86-24-2334-2829
Fax: 86-24-2334-2393

China - Shenzhen
Tel: 86-755-8864-2200
Fax: 86-755-8203-1760

China - Wuhan
Tel: 86-27-5980-5300
Fax: 86-27-5980-5118

China - Xian
Tel: 86-29-8833-7252
Fax: 86-29-8833-7256

ASIA/PACIFIC

China - Xiamen
Tel: 86-592-2388138
Fax: 86-592-2388130

China - Zhuhai
Tel: 86-756-3210040
Fax: 86-756-3210049

India - Bangalore
Tel: 91-80-3090-4444
Fax: 91-80-3090-4123

India - New Delhi
Tel: 91-11-4160-8631
Fax: 91-11-4160-8632

India - Pune
Tel: 91-20-3019-1500

Japan - Osaka
Tel: 81-6-6152-7160
Fax: 81-6-6152-9310

Japan - Tokyo
Tel: 81-3-6880-3770
Fax: 81-3-6880-3771

Korea - Daegu
Tel: 82-53-744-4301
Fax: 82-53-744-4302

Korea - Seoul
Tel: 82-2-554-7200
Fax: 82-2-558-5932 or
82-2-558-5934

Malaysia - Kuala Lumpur
Tel: 60-3-6201-9857
Fax: 60-3-6201-9859

Malaysia - Penang
Tel: 60-4-227-8870
Fax: 60-4-227-4068

Philippines - Manila
Tel: 63-2-634-9065
Fax: 63-2-634-9069

Singapore
Tel: 65-6334-8870
Fax: 65-6334-8850

Taiwan - Hsin Chu
Tel: 886-3-5778-366
Fax: 886-3-5770-955

Taiwan - Kaohsiung
Tel: 886-7-213-7828

Taiwan - Taipei
Tel: 886-2-2508-8600
Fax: 886-2-2508-0102

Thailand - Bangkok
Tel: 66-2-694-1351
Fax: 66-2-694-1350

EUROPE

Austria - Wels
Tel: 43-7242-2244-39
Fax: 43-7242-2244-393

Denmark - Copenhagen
Tel: 45-4450-2828
Fax: 45-4485-2829

France - Paris
Tel: 33-1-69-53-63-20
Fax: 33-1-69-30-90-79

Germany - Dusseldorf
Tel: 49-2129-3766400

Germany - Karlsruhe
Tel: 49-721-625370

Germany - Munich
Tel: 49-89-627-144-0
Fax: 49-89-627-144-44

Italy - Milan
Tel: 39-0331-742611
Fax: 39-0331-466781

Italy - Venice
Tel: 39-049-7625286

Netherlands - Drunen
Tel: 31-416-690399
Fax: 31-416-690340

Poland - Warsaw
Tel: 48-22-3325737

Spain - Madrid
Tel: 34-91-708-08-90
Fax: 34-91-708-08-91

Sweden - Stockholm
Tel: 46-8-5090-4654

UK - Wokingham
Tel: 44-118-921-5800
Fax: 44-118-921-5820

06/23/16