

SAC-5P-MS/3,0-500/M12FR-3L FB - Sensor/actuator cable



1421021

<https://www.phoenixcontact.com/pc/products/1421021>

Please be informed that the data shown in this PDF document is generated from our online catalog. Please find the complete data in the user documentation. Our general terms of use for downloads are valid.



Sensor/actuator cable, 5-position, Plug straight M12, coding: A, with 3 LEDs, on Socket angled M12, coding: A, with 3 LEDs, cable length: 3 m, with high-grade steel knurl

Your advantages

- Easy and safe: 100% electrically tested plug-in components
- Convenient: increased machine availability thanks to quick and easy diagnostics
- Contamination can be detected quickly – thanks to the light color

Commercial data

Item number	1421021
Packing unit	1 pc
Minimum order quantity	1 pc
Note	Made to order (non-returnable)
Product key	BF1CDA
GTIN	4055626250519
Weight per piece (including packing)	158.15 g
Weight per piece (excluding packing)	149.11 g
Customs tariff number	85444290
Country of origin	PL

SAC-5P-MS/3,0-500/M12FR-3L FB - Sensor/actuator cable



1421021

<https://www.phoenixcontact.com/pc/products/1421021>

Technical data

Product properties

Product type	Sensor/actuator cable
Number of positions	5
Application	Food processing industry
No. of cable outlets	1
Shielded	no
Coding	A

Insulation characteristics

Overvoltage category	II
Degree of pollution	3

Material specifications

Material of grip body	PP
Contact material	CuSn
Contact surface material	Ni/Au
Contact carrier material	PP
Material for screw connection	Stainless steel

Electrical properties

Contact resistance	$\leq 5 \text{ m}\Omega$
Insulation resistance	$\geq 100 \text{ M}\Omega$
Nominal voltage U_N	24 V DC
Nominal current I_N	4 A
Protective circuit	unwired

Mechanical properties

Mechanical data

Insertion/withdrawal cycles	≥ 100
-----------------------------	------------

Signaling

Status display	3 LEDs
Status display present	Yes

Connector

Connection 1

Type	Plug straight M12
Number of positions	5
Coding type	A
Number of positions	5

Connection 2

SAC-5P-MS/3,0-500/M12FR-3L FB - Sensor/actuator cable



1421021


<https://www.phoenixcontact.com/pc/products/1421021>

Type	Socket angled M12
Number of positions	5
Coding type	A
Number of positions	5

Cable/line

Cable length	3 m
--------------	-----

PVC gray [500]

Dimensional drawing	
Cable weight	51 kg/km
UL AWM Style	2464 / 1729 (80°C/300 V)
Number of positions	5
Shielded	no
Cable type	PVC gray [500]
Conductor structure signal line	19x 0.15 mm
AWG signal line	22
Conductor cross section	5x 0.34 mm ² (Signal line)
Wire diameter incl. insulation	1.26 mm ±0.05 mm
External cable diameter	5 mm ±0.15 mm
Outer sheath, material	PVC
External sheath, color	gray RAL 7001
Conductor material	Bare Cu litz wires
Material wire insulation	PVC
Single wire, color	brown, white, blue, black, green-yellow
Thickness, insulation	≥ 0.23 mm (Core insulation)
Thickness, outer sheath	≥ 0.76 mm
Overall twist	5 wires around filler to the core
Max. conductor resistance	max. 57 Ω/km (at 20 °C)
Insulation resistance	≥ 200 MΩ*km (at 20 °C)
Nominal voltage, cable	≤ 300 V
Test voltage	≥ 3000 V
Minimum bending radius, fixed installation	5 x D
Minimum bending radius, flexible installation	10 x D
Flame resistance	As per UL-Style 2464
Ambient temperature (operation)	-40 °C ... 80 °C (cable, fixed installation) -25 °C ... 80 °C (Cable, flexible installation)

SAC-5P-MS/3,0-500/M12FR-3L FB - Sensor/actuator cable



1421021

<https://www.phoenixcontact.com/pc/products/1421021>

Environmental and real-life conditions

Ambient conditions

Degree of protection	IP65
	IP67
	IP68
	IP69K
Ambient temperature (operation)	-25 °C ... 90 °C (Plug / socket)

Standards and regulations

Standard designation	M12 connector
Standards/specifications	IEC 61076-2-101

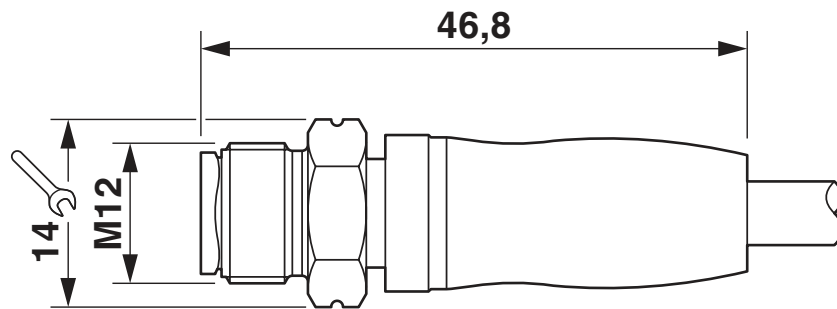
SAC-5P-MS/3,0-500/M12FR-3L FB - Sensor/actuator cable

1421021

<https://www.phoenixcontact.com/pc/products/1421021>

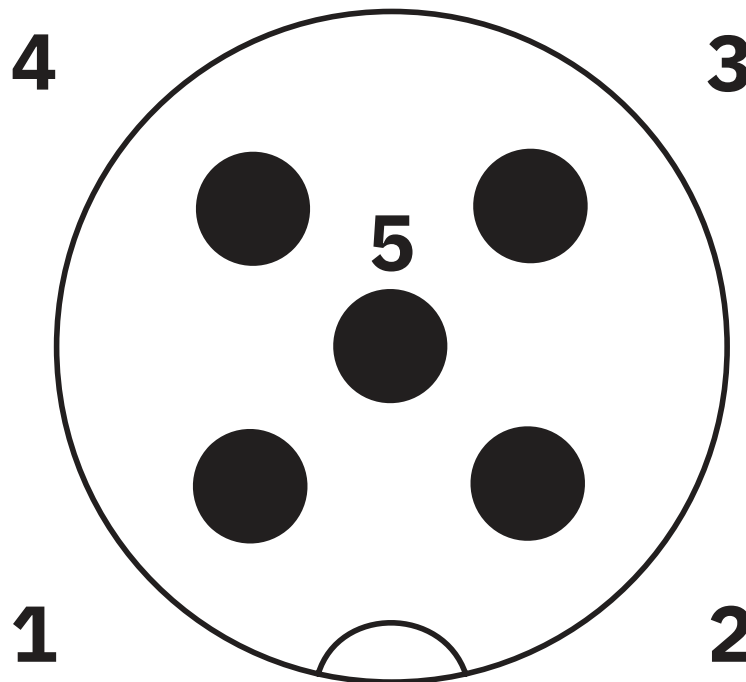
Drawings

Dimensional drawing



Plug, M12 x 1, straight

Schematic diagram



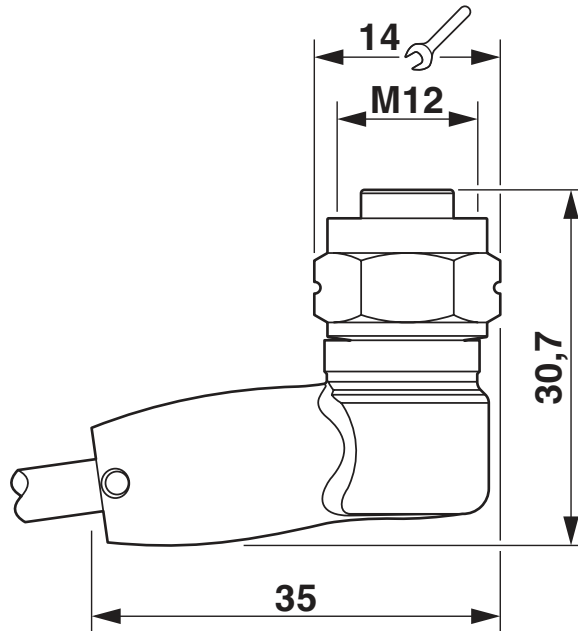
Pin assignment M12 male connector, 5-pos., A-coded, male side

SAC-5P-MS/3,0-500/M12FR-3L FB - Sensor/actuator cable

1421021

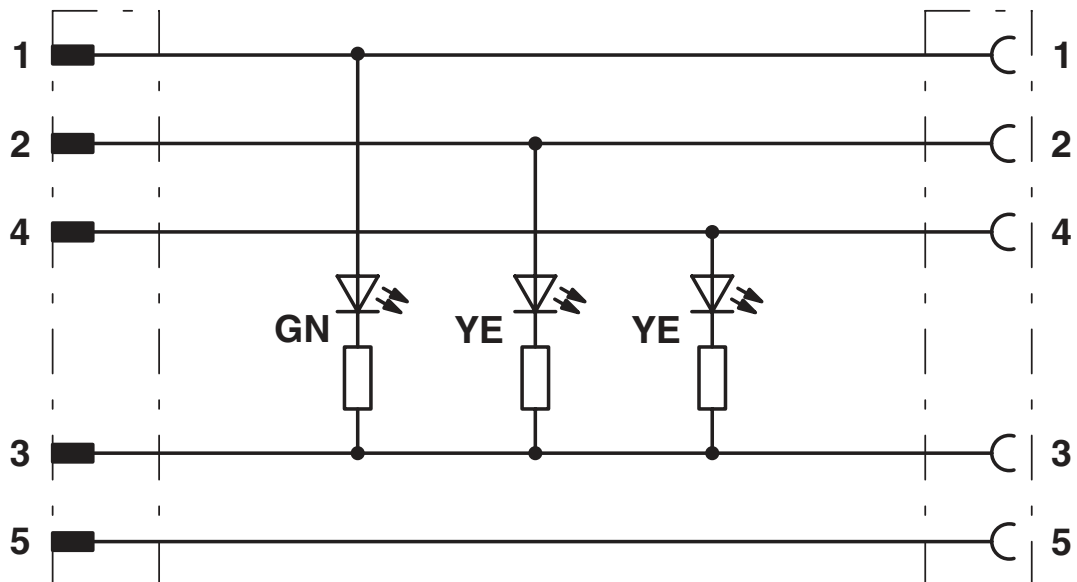
<https://www.phoenixcontact.com/pc/products/1421021>

Dimensional drawing



M12 x 1 socket, angled

Circuit diagram

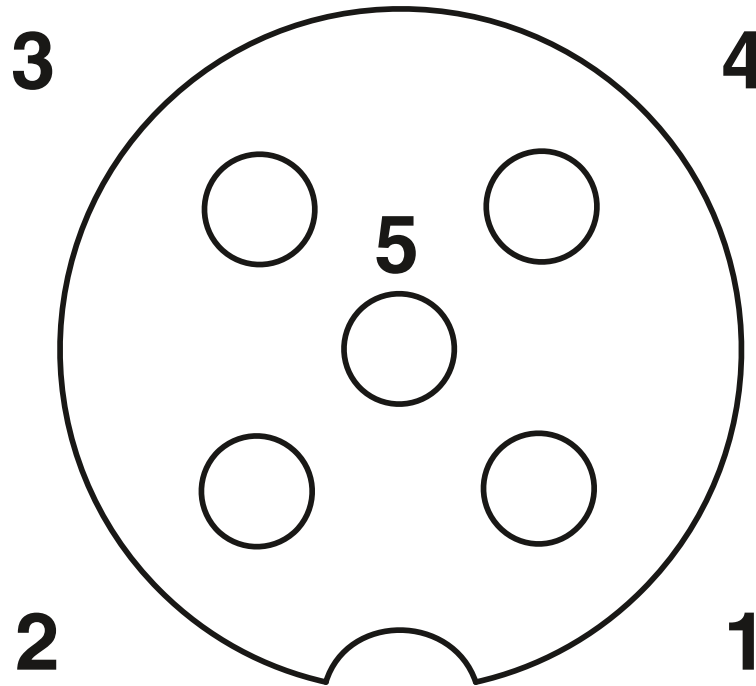


SAC-5P-MS/3,0-500/M12FR-3L FB - Sensor/actuator cable

1421021

<https://www.phoenixcontact.com/pc/products/1421021>

Schematic diagram



Pin assignment M12 socket, 5-pos., A-coded, socket side view

SAC-5P-MS/3,0-500/M12FR-3L FB - Sensor/actuator cable





1421021

<https://www.phoenixcontact.com/pc/products/1421021>

Approvals

To download certificates, visit the product detail page: <https://www.phoenixcontact.com/pc/products/1421021>

 UL Listed Approval ID: FILE E 221474				
	Nominal voltage U_N	Nominal current I_N	Cross section AWG	Cross section mm^2
	48 V	4 A	-	-

 cUL Listed Approval ID: FILE E 221474				
	Nominal voltage U_N	Nominal current I_N	Cross section AWG	Cross section mm^2
	48 V	4 A	-	-

 EAC-RoHS Approval ID: RU D-DE.HB35.B.00385	
---	--

cULus Listed

SAC-5P-MS/3,0-500/M12FR-3L FB - Sensor/actuator cable



1421021

<https://www.phoenixcontact.com/pc/products/1421021>

Classifications

ECLASS

ECLASS-11.0	27060311
ECLASS-12.0	27060311
ECLASS-13.0	27060311

ETIM

ETIM 8.0	EC001855
----------	----------

UNSPSC

UNSPSC 21.0	26121600
-------------	----------

SAC-5P-MS/3,0-500/M12FR-3L FB - Sensor/actuator cable



1421021

<https://www.phoenixcontact.com/pc/products/1421021>

Environmental product compliance

REACH SVHC	Dechlorane Plus
China RoHS	Environmentally friendly use period: unlimited = EFUP-e
	No hazardous substances above threshold values

SAC-5P-MS/3,0-500/M12FR-3L FB - Sensor/actuator cable



1421021

<https://www.phoenixcontact.com/pc/products/1421021>

Accessories

TSD 04 SAC - Torque screwdriver

1208429

<https://www.phoenixcontact.com/pc/products/1208429>



Torque screwdriver, with preset torque of 0.4 Nm and 4 mm hexagonal drive for M12 connectors

TSD-M 1,2NM - Torque screwdriver

1212224

<https://www.phoenixcontact.com/pc/products/1212224>



Torque screw driver, accuracy as per EN ISO 6789 standard, adjustable from 0.3 - 1.2 Nm

SAC-5P-MS/3,0-500/M12FR-3L FB - Sensor/actuator cable



1421021

<https://www.phoenixcontact.com/pc/products/1421021>

TSD-M SAC-BIT ADAPTER - Adapter insert

1212600

<https://www.phoenixcontact.com/pc/products/1212600>



Adapter bit for TSD-M...torque tools, E6.3-1/4" drive with 4 mm hexagon to accommodate SAC bits

SAC BIT M12-W14 - Tool

1212513

<https://www.phoenixcontact.com/pc/products/1212513>



Nut for assembling sensor/actuator cables with M12 connector and M12 connectors for assembly, with a hexagonal knurl wrench size of 14 mm, with 4 mm hexagonal drive

Phoenix Contact 2023 © - all rights reserved
<https://www.phoenixcontact.com>

PHOENIX CONTACT GmbH & Co. KG
Flachsmarktstraße 8
D-32825 Blomberg
+49 (0) 5235-3 00
info@phoenixcontact.com