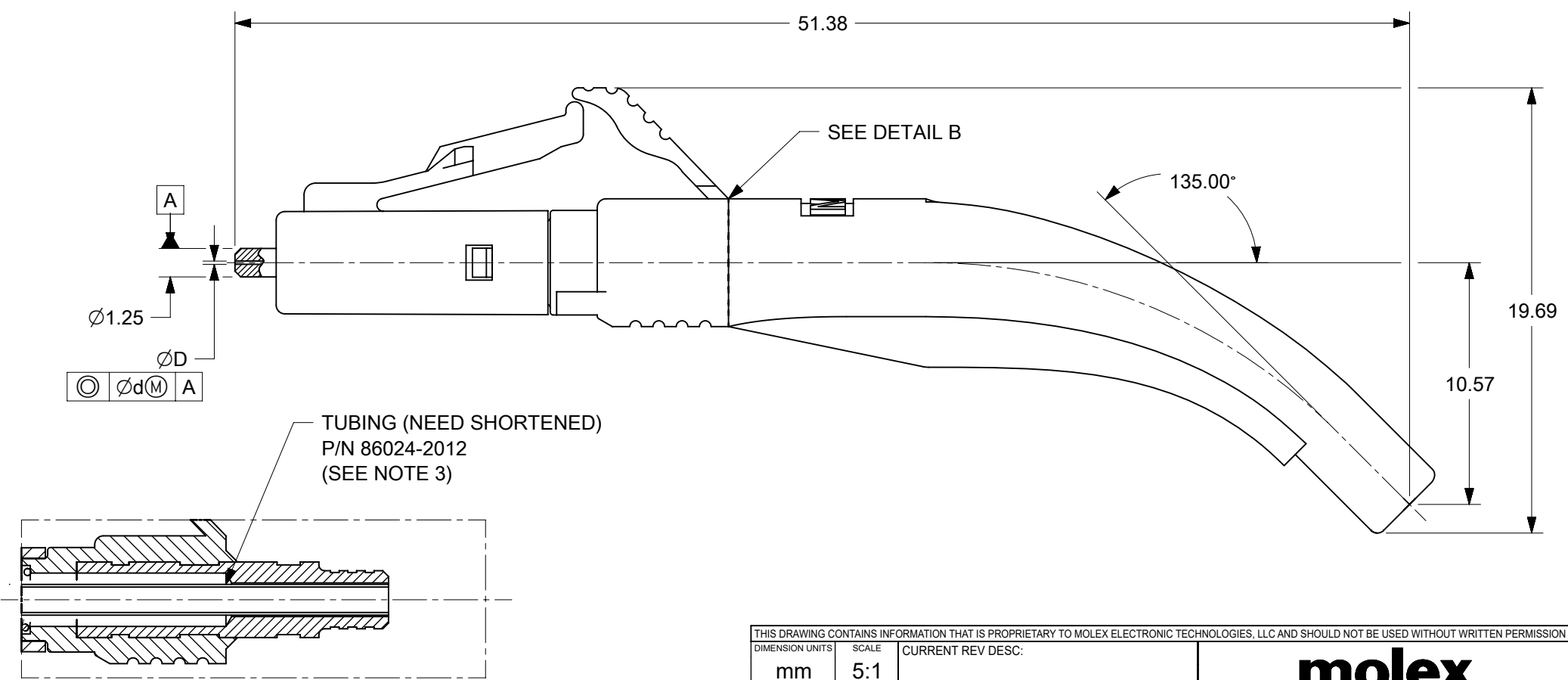
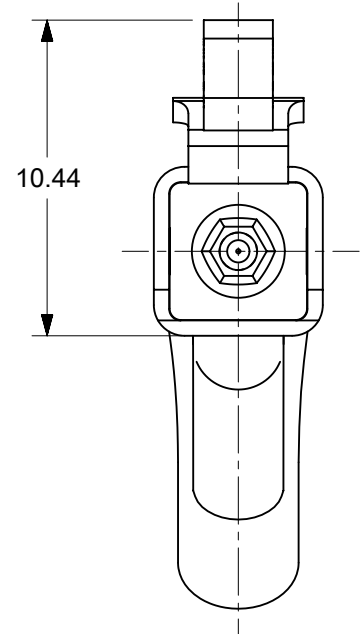
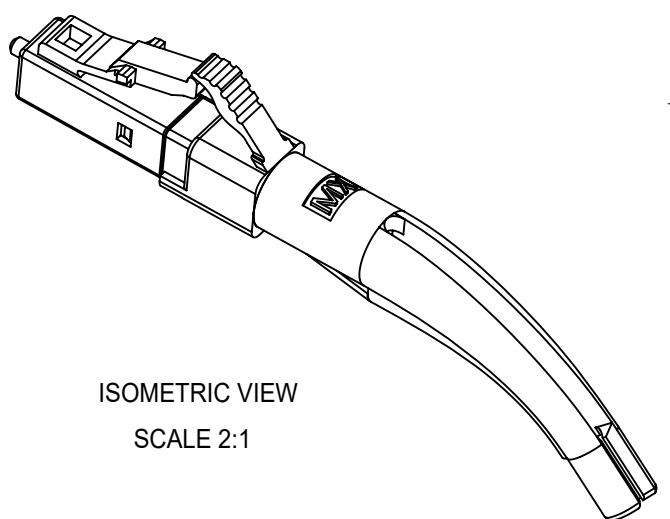
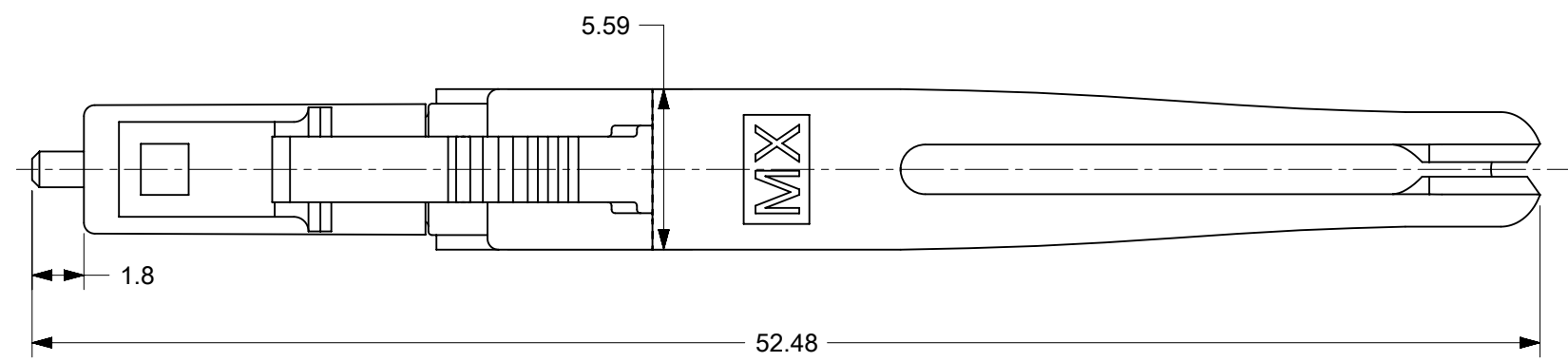
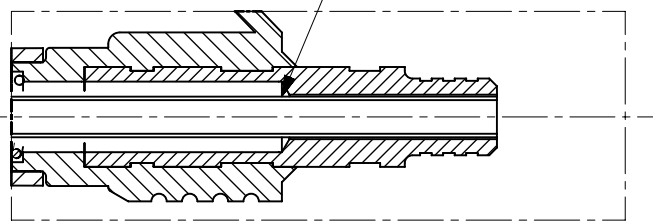


CONNECTOR P/N	ØD (µm)	Ød (µm)	CONN. BODY COLOR	BOOT COLOR	CABLE Ø(mm)	CABLE TYPE
106024-7110	125+0.5/-0	0.5	BLUE	WHITE	1.6	SINGLE MODE
106024-7115					1.6 ZIPCORD&2.0	
106024-7120	125.25+0.5/-0				1.6	
106024-7125					1.6 ZIPCORD&2.0	
106024-7130	125.5+0.5/-0				1.6	
106024-7135					1.6 ZIPCORD&2.0	
106024-7140	126+1/-0	1			1.6	
106024-7145					1.6 ZIPCORD&2.0	
106024-7150	125+0.5/-0				1.6	
106024-7155					1.6 ZIPCORD&2.0	
106024-7160	125.25+0.5/-0				1.6	
106024-7165					1.6 ZIPCORD&2.0	
106024-7170	125.5+1.0/-0	1.6				
106024-7175		1.6 ZIPCORD&2.0				
106024-7180	127+3/-0	3	BEIGE		1.6	MULTIMODE
106024-7185					1.6 ZIPCORD&2.0	



TUBING (NEED SHORTENED)
P/N 86024-2012
(SEE NOTE 3)



- NOTES:
- ALL DIMENSIONS ARE FOR REFERENCE ONLY.
 - DUST CAP IS NOT SHOWN.
 - TUBING MUST BE SHORTENED AFTER FILLING THE EPOXY ACCORDING TO THE TERMINATION PROCEDURE P/N PS-86028-2000

THIS DRAWING CONTAINS INFORMATION THAT IS PROPRIETARY TO MOLEX ELECTRONIC TECHNOLOGIES, LLC AND SHOULD NOT BE USED WITHOUT WRITTEN PERMISSION									
DIMENSION UNITS mm		SCALE 5:1		CURRENT REV DESC:				molex	
GENERAL TOLERANCES (UNLESS SPECIFIED)		ANGULAR TOL ± 0.5°		EC NO: 695254					
4 PLACES ±		3 PLACES ±		2 PLACES ±		1 PLACE ±		0 PLACES ±	
DRAFT WHERE APPLICABLE MUST REMAIN WITHIN DIMENSIONS		THIRD ANGLE PROJECTION		DRAWING B-SIZE		SERIES 106024		MATERIAL NUMBER SEE TABLE	
DOCUMENT STATUS P1		RELEASE DATE 2022/04/29 14:51:26		DRWN: JHUANG18 2022/02/15		CHKD: IGUMIN 2022/04/29		APPR: IGUMIN 2022/04/29	
INITIAL REVISION:		DRWN: PGIBLIN 2006/02/07		APPR: IGUMIN 2006/02/07		DOCUMENT NUMBER SD-106024-71XX		DOC TYPE DOC PART REVISION PSD 001 B3	
CUSTOMER GENERAL MARKET		SHEET NUMBER 1 OF 1		PRODUCT CUSTOMER DRAWING					