

# RHS90A, RHS90AD



## Accessories: Heatsinks



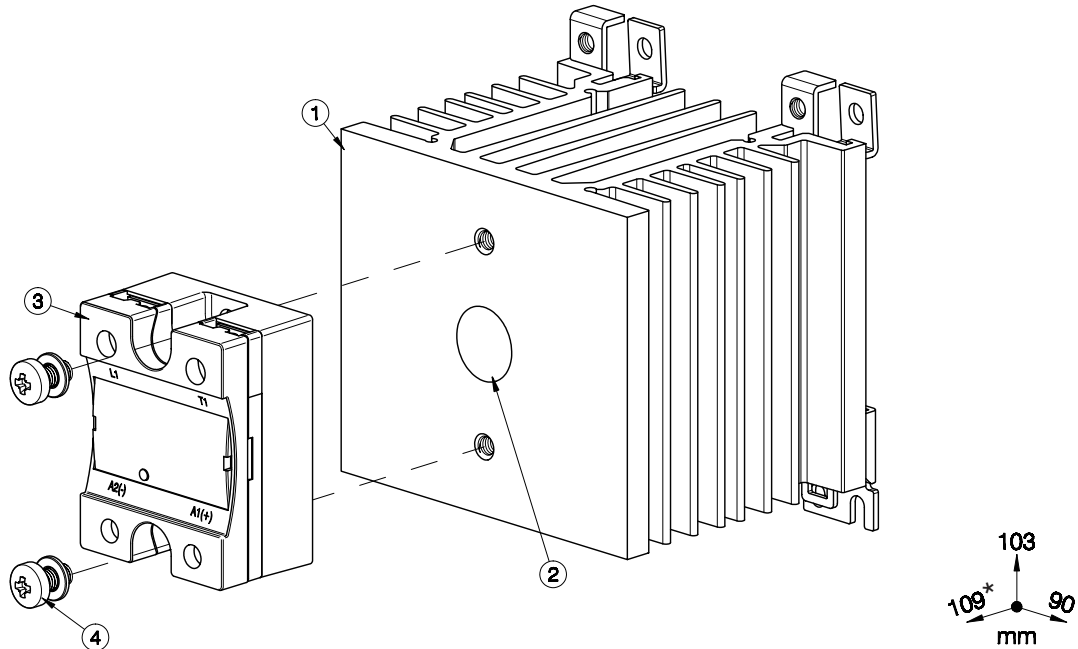
### Main features

- 0.97°C/W thermal resistance
- Suitable for mounting of 1-phase SSRs
- DIN rail mounting
- Suitable for panel mounting
- Dimensions W x H x D: 90 x 103 x 80 mm
- RoHS compliant

### Description

Heatsink assembly suitable for mounting of 1x 1-phase solid state relay (SSR). Suffix H16 added to SSR part no. refers to factory mounted heatsink. Conditions apply. Please ask your sales representative for further details.

## Structure



Element	Component	Qty	RHS90A	RHS90AD
1	RHS90A Heatsink Assembly	1	Provided	Provided
2	Thermal Compound HTS02S	1	Provided	Not provided
3	1-phase SSR 45x59mm	1	Not provided	Not provided
4	M5x10mm PZ2 + Washer	2	Provided	Provided

Note:

\* 113mm for RK..C, 124mm for RK..P (including plug).

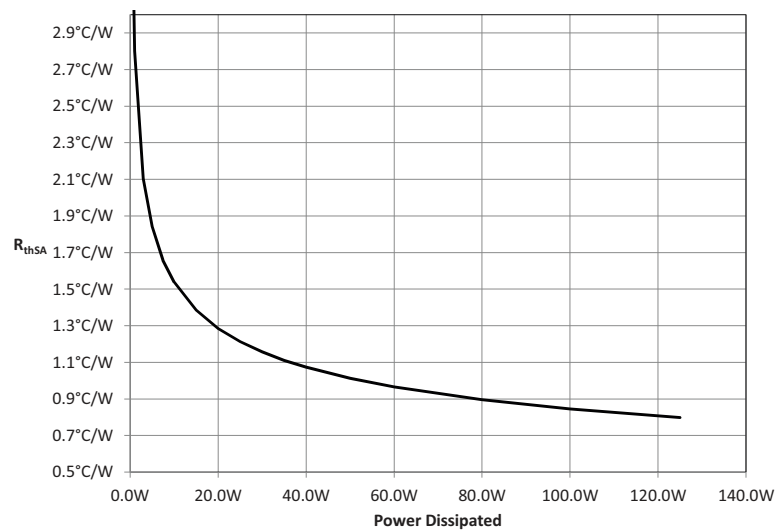
Dimensions including the SSR.

## Features

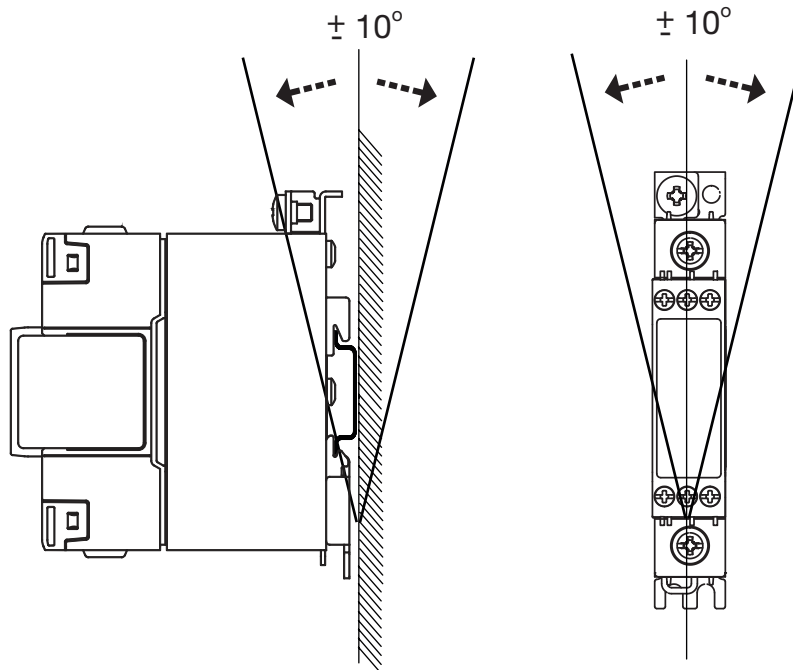
### General

<b>SSR max. mounting torque</b>	1.5Nm (13.3 lb-in)
<b>Weight (excl. SSR)</b>	approx. 650g
<b>Material</b>	Aluminium
<b>Finish</b>	Black anodization
<b>Fan mounting</b>	Possible: RHSF60-24, RHSF60-230

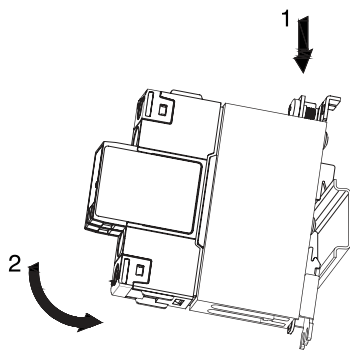
### Thermal resistance curve



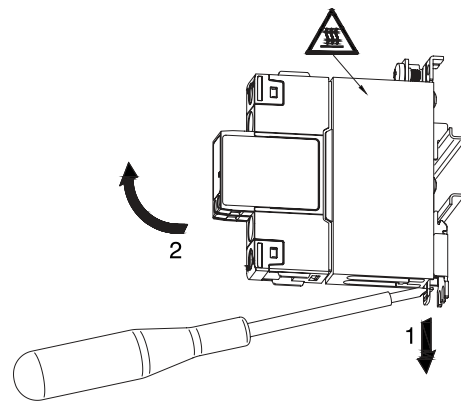
**Mounting position**



**Installation**



**Fig. 1** Mounting on DIN rail



**Fig. 2** Dismounting from DIN rail

Illustrations are for example only.

## Recommended maximum current rating (per SSR)


1. The below recommendations are only valid when the assembly (SSR + heatsink) is mounted as shown in the mounting instructions unless otherwise indicated.
2. The indicated ratings are applicable to one SSR, one pole. Please refer to the online selector tool at [www.productselection.net](http://www.productselection.net) for different load currents, surrounding temperatures or multiple units on one heatsink.
3. These recommendations are applicable only with the indicated Carlo Gavazzi thermal interface material between SSR and heatsink. In case a different thermal interface is utilised these recommendations may no longer be valid.

### Pre-attached phase change pad, RKHT

1x 2-pole SSR	Surrounding temperature							
	°C °F	20 68	30 86	40 104	50 122	60 140	70 158	80 176
RK 2.. (per pole)	50	44.5	39.5	34.5	30	25	20	15
	51	49	43.5	38	32.5	27	21.5	16.5
	75	56	50	43.5	37	31	24.5	18

## Thermal compound, HTS02S

1x 1-phase SSR	Surrounding temperature							
	°C °F	20 68	30 86	40 104	50 122	60 140	70 158	80 176
RD..	1	1	1	1	1	1	1	-
	5	5	5	5	5	5	5	-
RA..L RA..T	10	10	10	10	10	10	10	-
	25	25	25	23	20	17	13.5	-
RA..	25	25	25	25	22.5	18.5	14	-
	50	45	42.5	36.5	30.5	24.5	18.5	-
	90	60.5	56.5	48.5	40.5	32.5	24.5	-
	110	68.5	64	55	45.5	36	27	-
RA60..	50	44.5	42	36.5	30.5	25	19	-
RA2A.. (per pole)	25	25	25	25	23	18	12	-
	40	34.5	33	29.5	25.5	20	13	-
	25M	25	25	25	23	18	12	-
	40M	35.5	33.5	30	26	19.5	13	-
RS1A..	10	10	10	10	9.5	7.5	5.5	-
	25	25	25	25	25	25	18.5	-
	40	40.0	40.0	40	38.5	29	20	-
RS1A..E	25	23	22	19	16.5	14	11	-
	40	28	26	23	19.5	16.5	13.5	-
RM1A.. RM1B.. RM1C..	25	25	25	25	25	25	18.5	-
	50	50	50	47.5	38.5	29	20	-
	75	73.5	69	58	46.5	35	24	-
	100	83	76.5	63.5	50.5	38	25.5	-
RM1A60.. RM1B60.. RM1C60.. RM1E60..	50	49.5	47.5	42.5	37.5	30	20.5	-
RAM1A.. RAM1B.. RM1E..	25	25	25	25	25	25	18.5	10.5
	50	50	50	47.5	38.5	29	20	11
	75	73.5	69	58	46.5	35	24	13
	100	73.5	69	58	46.5	35	24	13
	125	83	76.5	63.5	50.5	38	25.5	14

 Thermal pad, KK071CUT

1x 1-phase SSR	Surrounding temperature							
	°C °F	20 68	30 86	40 104	50 122	60 140	70 158	80 176
RD..	1	1	1	1	1	1	1	-
	5	5	5	5	5	5	5	-
RA..L RA..T	10	10	10	10	10	10	10	-
	25	24	23	20.5	17.5	15	12	-
RA..	25	25	25	24.5	21	17	13	-
	50	40	37.5	32.5	27	22	16.5	-
	90	50	47	40.5	34	27	20.5	-
	110	56	52.5	45.0	37.5	30	22.5	-
RA60..	50	39.5	37	32.5	27.5	22.5	17	-
RA2A.. (per pole)	25	25	25	23.5	21	18	12.5	-
	40	31	29.5	26.5	23	19.5	13.5	-
	25M	25	25	23.5	21	18.0	12.5	-
	40M	32	30	27	23.5	20	13.5	-
RS1A..	10	10	10	10	9	7	5	-
	25	25	25	25	25	22	15.5	-
	40	40	40	38	31	23.5	16.5	-
RS1A..E	25	20.5	19.5	17	14.5	12.5	10	-
	40	24	22.5	19.5	17	14	11.5	-
RM1A.. RM1B.. RM1C..	25	25	25	25	25	22	15.5	-
	50	48.5	45	38	31	23.5	16.5	-
	75	56	52	44	35.5	27	19	-
	100	61.5	57	48	38.5	29	20	-
RM1A60.. RM1B60.. RM1C60.. RM1E60..	50	44	42	37.5	31.5	24.5	17	-
RAM1A.. RAM1B.. RM1E..	25	25	25	25	25	22	15.5	9
	50	48.5	45	38	31	23.5	16.5	9
	75	56	52	44	35.5	27	19	10.5
	100	56	52	44	35.5	27	19	10.5
	125	61.5	57	48	38.5	29	20	11



## References

### CARLO GAVAZZI compatible components

Purpose	Component name/code	Notes
Thermal pads	KK071CUT	Packing qty. 50 pcs.
Phase change thermal pad	RKHT	Packing qty. 10 pcs.
Thermal compound	HTS02S	2ml syringe of silicone based thermal compound
Screw Kits	SRWKITM5X10MM	Packing qty. 20 pcs.
Fans	RHSF60-24, RHSF60-230	24VDC, 240VAC, 60x60mm

### Further reading

Information	Where to find it
Online heatsink selector tool	<a href="http://www.productselection.net/heatsink/heatsinkSelector.php?LANG=UK">http://www.productselection.net/heatsink/heatsinkSelector.php?LANG=UK</a>
Accessories	<a href="http://www.productselection.net/Pdf/UK/SSR_Accessories.pdf">http://www.productselection.net/Pdf/UK/SSR_Accessories.pdf</a>

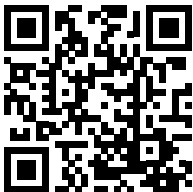
### Order code



RHS90A

Enter the code entering the corresponding option instead of

Code	Option	Description
R	-	
H	-	
S	-	
9	-	
0	-	
A	-	
<input type="checkbox"/>		With thermal compound
	D	Thermal compound not included



COPYRIGHT ©2016  
Content subject to change. Download the PDF: [www.productselection.net](http://www.productselection.net)