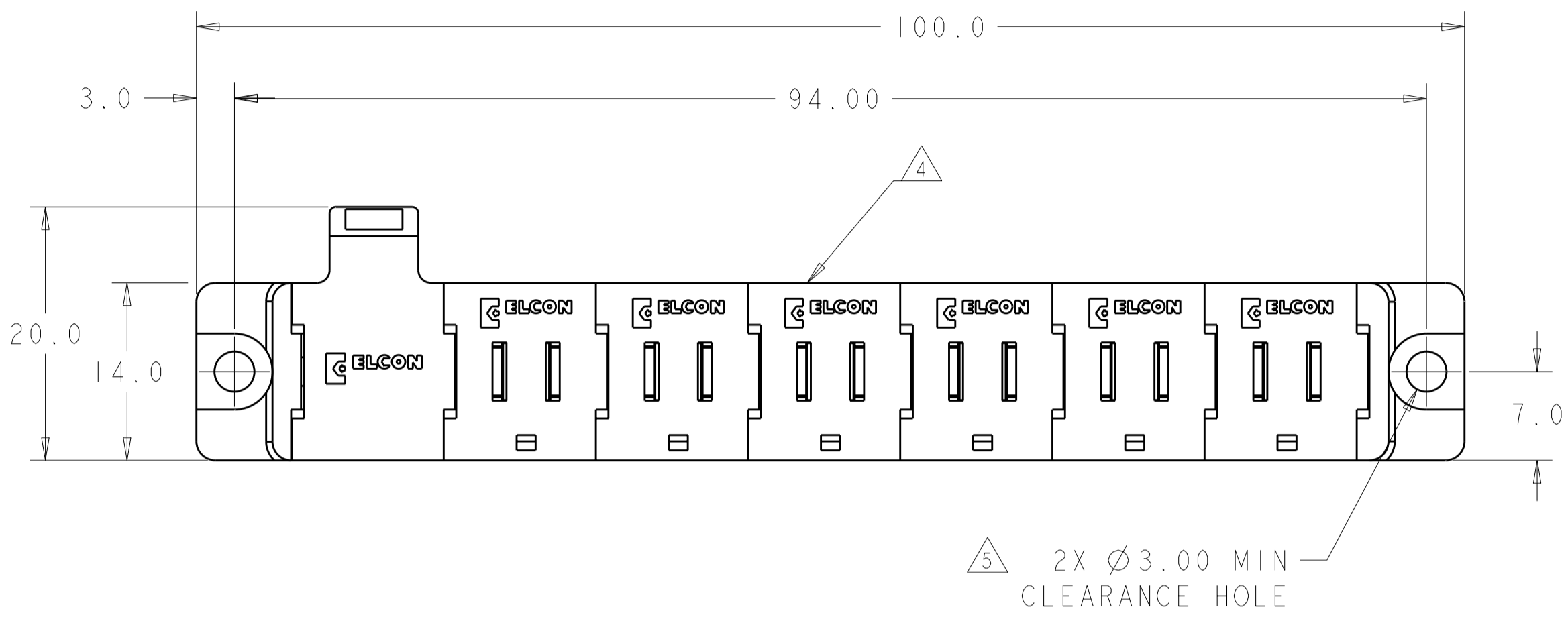


THIS DRAWING IS UNPUBLISHED. RELEASED FOR PUBLICATION 20
 © COPYRIGHT 20 BY TYCO ELECTRONICS CORPORATION. ALL RIGHTS RESERVED.

LOC	DIST	REVISIONS			
P	LTR	DESCRIPTION	DATE	DWN	APVD
GP	00	A	RELEASED	09JUL2009	RG MS
		B	REV PER ECO-10-003914	01MAR2010	RG MS
		C	REV PER ECO-10-005408	18MAR2010	RG MS



1. PART NUMBER CHANGES AND OR DESIGN CHANGES AFFECTING ITEM INTERCHANGEABILITY REQUIRE PRIOR TYCO ELECTRONICS APPROVAL AND AUTHORIZATION BY REVISION TO THIS DRAWING.

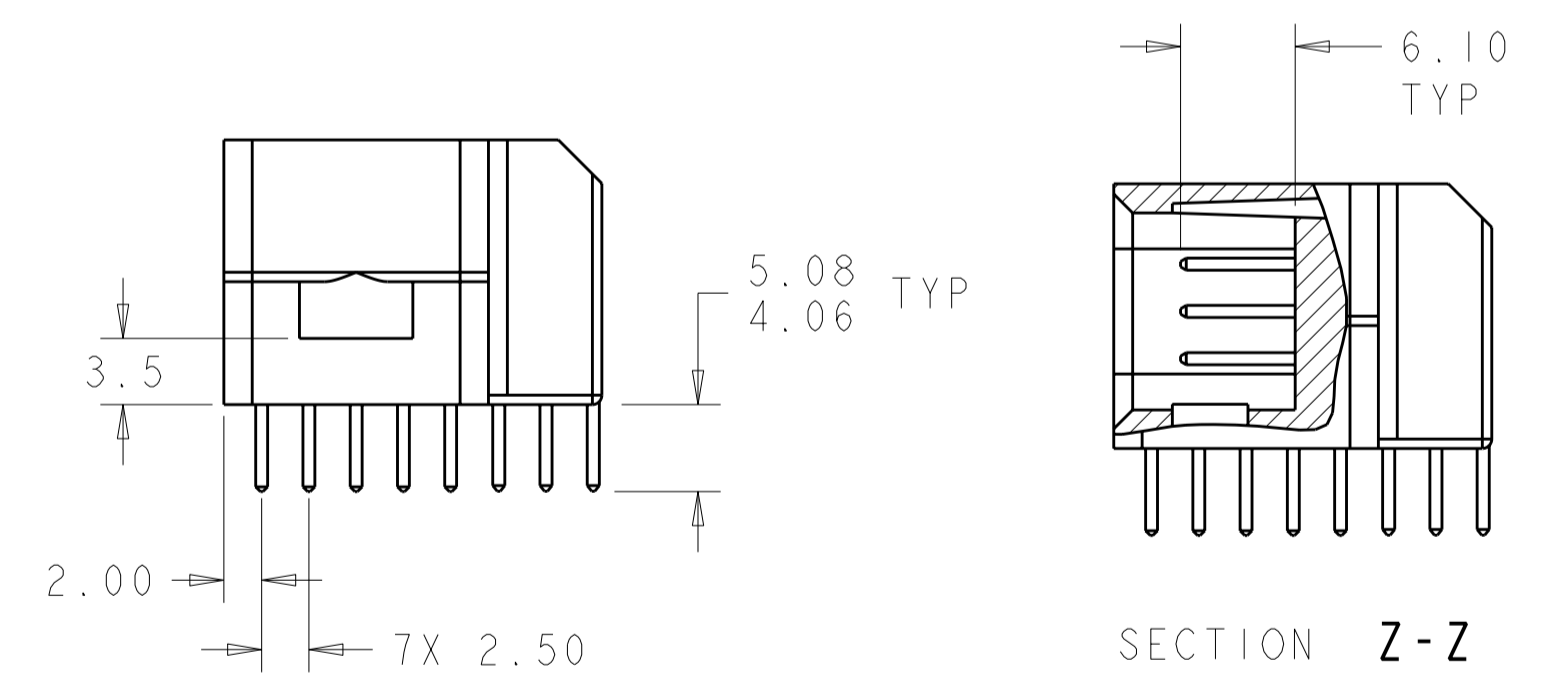
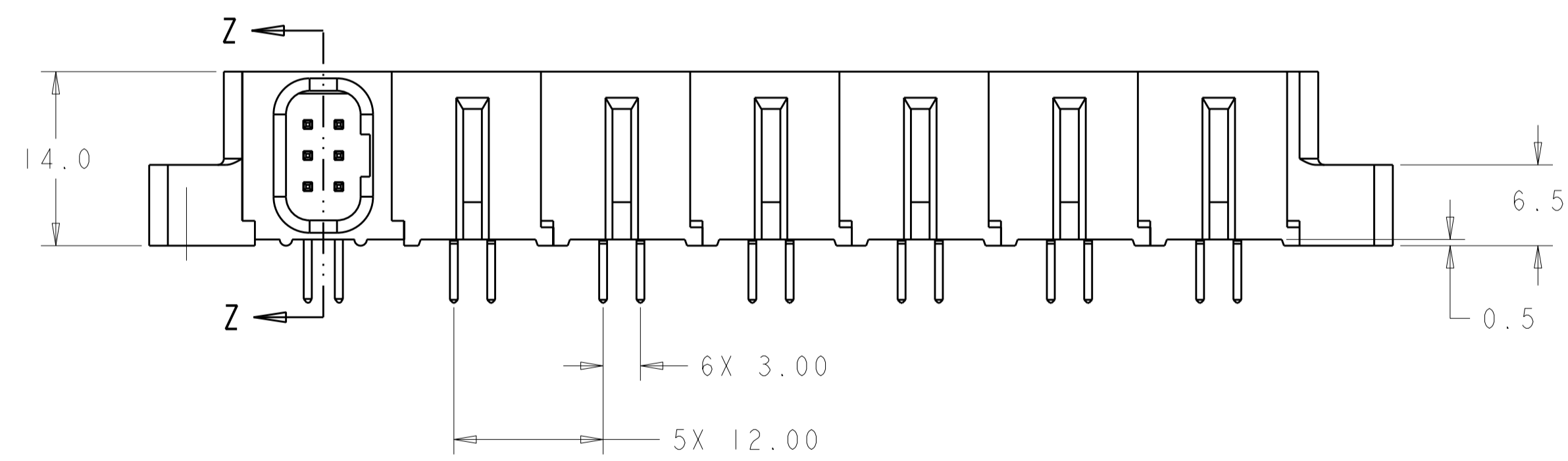
△ 2 MATERIAL:
 INSULATORS - THERMOPLASTIC, GLASS REINFORCED, COLOR: BLACK
 UL94V-0 FLAMMABILITY RATED.
 POWER CONTACTS - PHOSPHOR BRONZE ALLOY, COPPER ALLOY

△ 3 FINISH:
 CONTACTS - GOLD PLATE 0.76µm MIN. THK. OVER NICKEL
 1.27µm MIN. THK.
 SOLDER TAILS, TIN/LEAD 3.05µm MIN. THK. OVER 1.27µm MIN. THK. NICKEL.

△ 4 ITEMS PROVIDED TO THIS SPECIFICATION TO BE PERMANENTLY IDENTIFIED PER THE FOLLOWING IDENTIFIER LABEL

YEAR WEEK
 TYCO ELECTRONICS P/N DATE CODE (e.g. 0106)
 XXXXXXXX-X XXXX

△ 5 MOUNTING FLANGES ACCEPT M3 OR NO.4 SCREWS, (USER SUPPLIED)

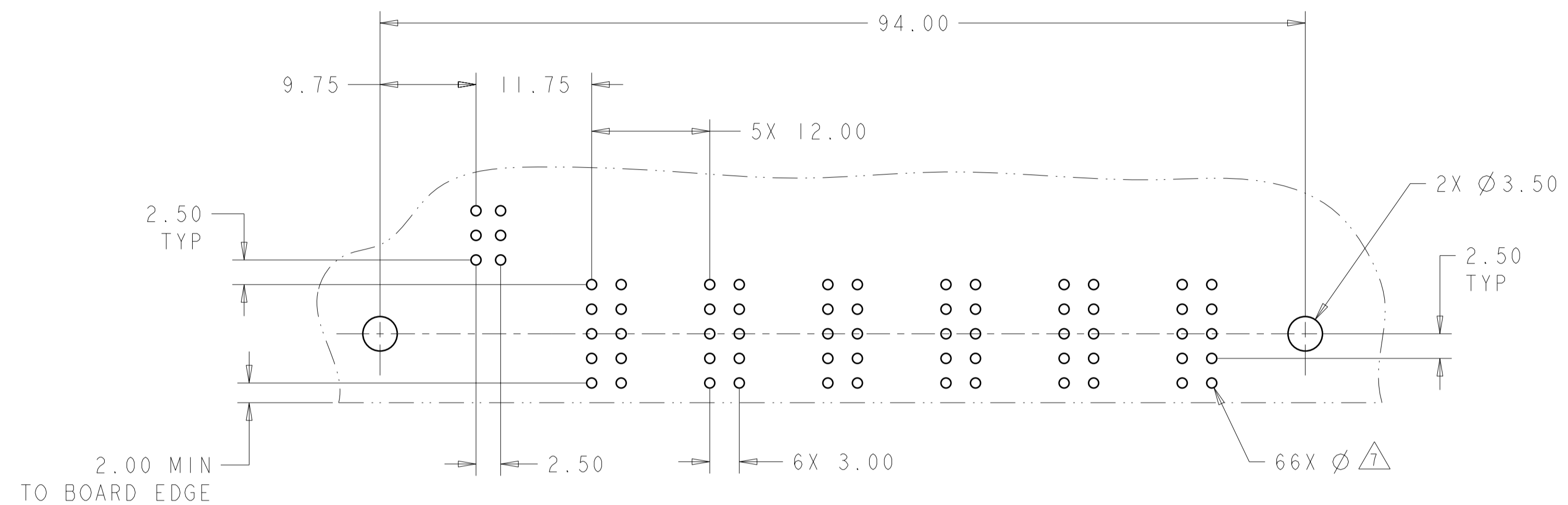


AS SHOWN	2085264-1
DESCRIPTION	PART NUMBER

THIS DRAWING IS A CONTROLLED DOCUMENT FOR TYCO ELECTRONICS CORPORATION. IT IS SUBJECT TO CHANGE AND THE CONTROLLING ENGINEERING ORGANIZATION SHOULD BE CONTACTED FOR THE LATEST REVISION.		DWN R. GRZYBOWSKI 9 JULY 09	Tyco Electronics Harrisburg, PA 17105-3608
DIMENSIONS: mm		CHK M. SYKES 9 JULY 09	
TOLERANCES UNLESS OTHERWISE SPECIFIED:		APVD M. PERCHERKE 9 JULY 09	
0 PLC ±- 1 PLC ±0.5 2 PLC ±0.25 3 PLC ±- 4 PLC ±- ANGLES ±.5 FINISH △ 2 - △ 3 -		PRODUCT SPEC -	
MATERIAL		APPLICATION SPEC -	NAME CONNECTOR, PIN, RIGHT ANGLE SOLDER TAILS FLATPAQ
		WEIGHT -	SIZE A2
		CUSTOMER DRAWING	CAGE CODE 00779
			DRAWING NO. 2085264
			RESTRICTED TO -
			SCALE 2:1 SHEET 1 OF 3 REV C

THIS DRAWING IS UNPUBLISHED. RELEASED FOR PUBLICATION 20
 © COPYRIGHT 20 BY TYCO ELECTRONICS CORPORATION. ALL RIGHTS RESERVED.

LOC	DIST	REVISIONS			
P	LTR	DESCRIPTION	DATE	DWN	APVD
GP	00	-	SEE SHEET 1	-	-



PRINTED CIRCUIT LAYOUT
 COMPONENT SIDE

CONNECTOR	CATALOG MODULE #	QTY	SIZE NO.	CONTACT QTY	MATING PIN	MAX. CURRENT (PER CONTACT)	CONTACT SPACING	VOLTAGE RATING
PIN	FP314	1	22	6	0.64 SQ.	3 amps	2.50	125
	FP120	6	8	6	1.25 X 7.00	35 amps	12.00	600
	FP500	1	LEFT MOUNTING FLANGE					
	FP501	1	RIGHT MOUNTING FLANGE					

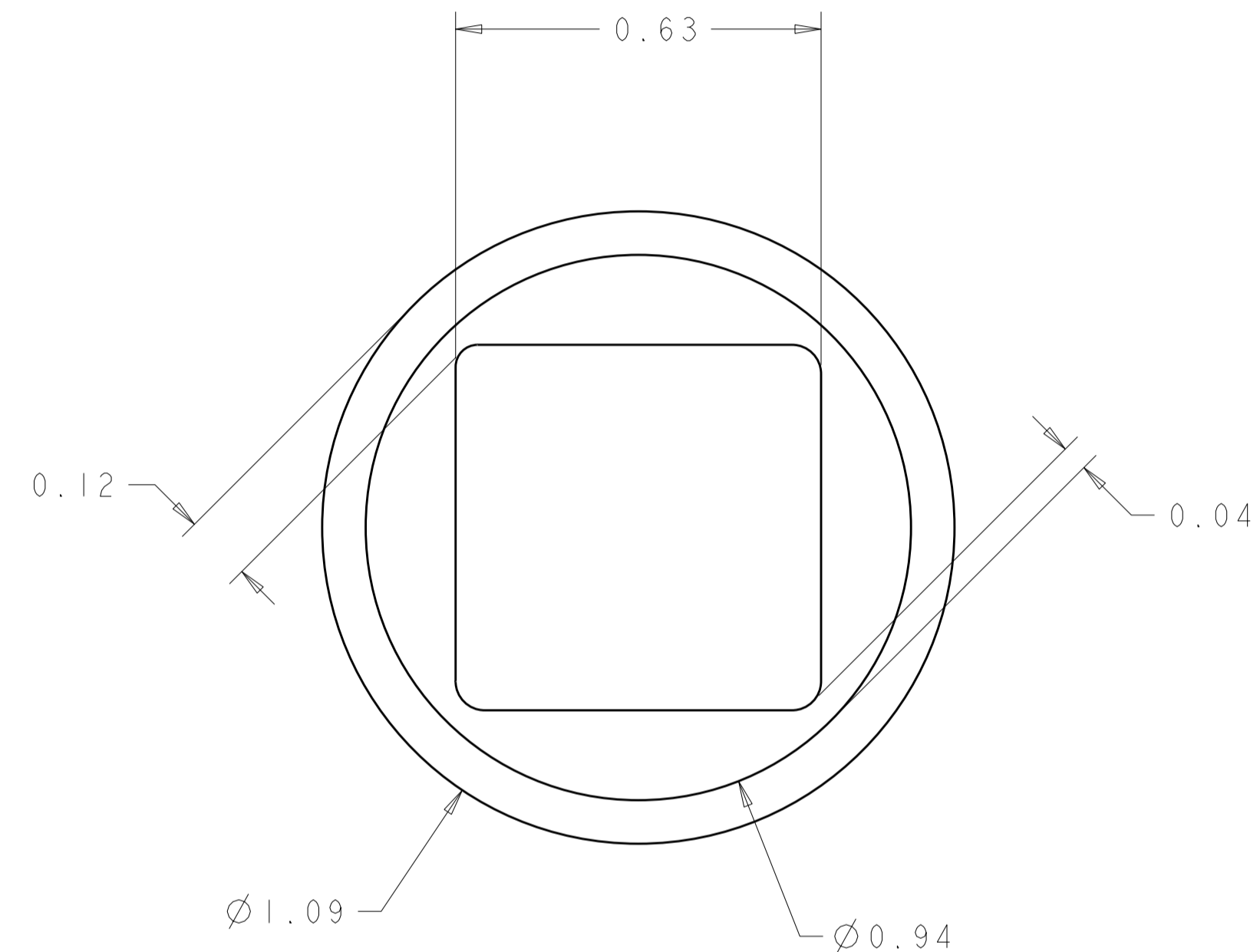
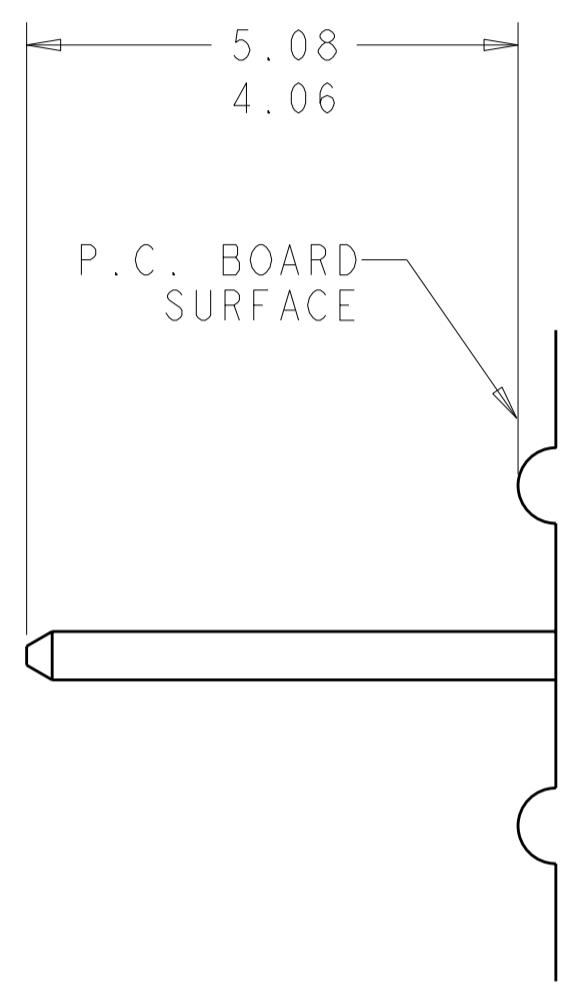
THIS DRAWING IS A CONTROLLED DOCUMENT FOR TYCO ELECTRONICS CORPORATION. IT IS SUBJECT TO CHANGE AND THE CONTROLLING ENGINEERING ORGANIZATION SHOULD BE CONTACTED FOR THE LATEST REVISION.

DWN	R. GRZYBOWSKI	9 JULY 09	Tyco Electronics Harrisburg, PA 17105-3608			
CHK	M. SYKES	9 JULY 09				
APVD	M. PERCHERKE	9 JULY 09				
NAME	CONNECTOR, PIN, RIGHT ANGLE SOLDER TAILS FLATPAQ					
DIMENSIONS:	mm	TOLERANCES UNLESS OTHERWISE SPECIFIED:	SIZE	CAGE CODE	DRAWING NO	RESTRICTED TO
		0 PLC ±-	A2	00779	C-2085264	-
		1 PLC ±0.5	SCALE	2:1	SHEET	2 OF 3
		2 PLC ±0.25	CUSTOMER DRAWING		REV	C
		3 PLC ±-				
		4 PLC ±-				
		ANGLES ±.5				
MATERIAL	-	FINISH				

ELCON FLATPAQ

THIS DRAWING IS UNPUBLISHED. RELEASED FOR PUBLICATION 20
 © COPYRIGHT 20 BY TYCO ELECTRONICS CORPORATION. ALL RIGHTS RESERVED.

LOC	DIST	REVISIONS			
P	LTR	DESCRIPTION	DATE	DWN	APVD
GP	00	-	SEE SHEET 1	-	-



6. SOLDER TAIL DETAIL
SCALE 10 : 1

⚠ SOLDER TERMINATION AREA
 SCALE 40:1
 RECOMMENDED PRINTED CIRCUIT HOLE
 SOLDER HOLE
 FINISHED HOLE: Ø1.02 ±.08
 DRILLED HOLE: Ø1.15 ±.013
 COPPER PLATE: .025 MIN
 TIN PLATE: .008 MIN. (PER SURFACE)

ELCON FLATPAQ

THIS DRAWING IS A CONTROLLED DOCUMENT FOR TYCO ELECTRONICS CORPORATION. IT IS SUBJECT TO CHANGE AND THE CONTROLLING ENGINEERING ORGANIZATION SHOULD BE CONTACTED FOR THE LATEST REVISION.		DWN R. GRZYBOWSKI 9 JULY 09	Tyco Electronics Harrisburg, PA 17105-3608	
DIMENSIONS: mm		CHK M. SYKES 9 JULY 09	NAME CONNECTOR, PIN, RIGHT ANGLE SOLDER TAILS FLATPAQ	
TOLERANCES UNLESS OTHERWISE SPECIFIED: 0 PLC ± 1 PLC ±0.5 2 PLC ±0.25 3 PLC ± 4 PLC ± ANGLES ± FINISH ±.5		APVD M. PERCHERKE 9 JULY 09	SIZE A200779	DRAWING NO C-2085264
MATERIAL -		PRODUCT SPEC -	RESTRICTED TO -	
		APPLICATION SPEC -	SCALE 2:1	SHEET 3 OF 3
		WEIGHT -	REV C	
		CUSTOMER DRAWING		