

5207871-1 ✓ ACTIVE

AMPLIMITE | AMPLIMITE Kit

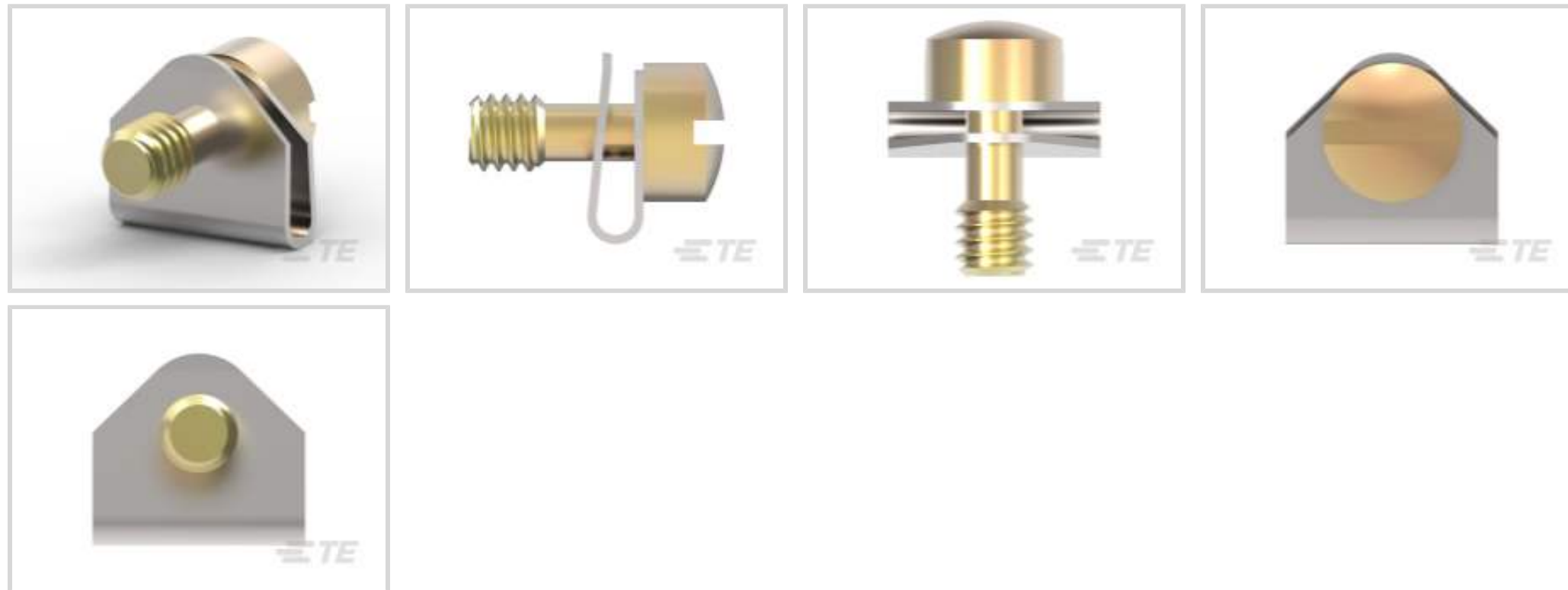
TE Internal #: 5207871-1

D-Sub Locking & Mounting, Screw Retainer Kit, Screw Length 5.84 mm [.23 in], AMPLIMITE Kit

[View on TE.com >](#)



Connectors > D-Shaped Connectors > D-Sub Accessories > D-Sub Locking & Mounting



Connector Mounting Accessory Type: **Screw Retainer Kit**

Screw Length: **5.84 mm [.23 in]**

Features

Product Type Features

Connector Mounting Accessory Type	Screw Retainer Kit
-----------------------------------	--------------------

Mechanical Attachment

Screw Plating Material	Zinc
Screw Material	Cold Rolled Steel
Screw Finish	Yellow Chromate
Thread Size	M3
Screw Length	5.84 mm [.23 in]

Packaging Features

Packaging Method	Kit
------------------	-----

Product Compliance

[For compliance documentation, visit the product page on TE.com>](#)

EU RoHS Directive 2011/65/EU	Compliant with Exemptions
EU ELV Directive 2000/53/EC	Compliant with Exemptions
China RoHS 2 Directive MIIT Order No 32, 2016	Restricted Materials Above Threshold
EU REACH Regulation (EC) No. 1907/2006	Current ECHA Candidate List: JUNE 2023 (235)



Candidate List Declared Against: JAN 2023 (233)

SVHC > Threshold:

Pb (.35% in Component Part)

Article Safe Usage Statements:

Do not eat, drink or smoke when using this product. Wash thoroughly after handling. Recycle if possible and dispose of the article by following all applicable governmental regulations relevant to your geographic location.

Halogen Content
 Low Halogen - Br, Cl, F, I < 900 ppm per homogenous material. Also BFR/CFR/PVC Free

Solder Process Capability
 Not applicable for solder process capability

Product Compliance Disclaimer

This information is provided based on reasonable inquiry of our suppliers and represents our current actual knowledge based on the information they provided. This information is subject to change. The part numbers that TE has identified as EU RoHS compliant have a maximum concentration of 0.1% by weight in homogenous materials for lead, hexavalent chromium, mercury, PBB, PBDE, DBP, BBP, DEHP, DIBP, and 0.01% for cadmium, or qualify for an exemption to these limits as defined in the Annexes of Directive 2011/65/EU (RoHS2). Finished electrical and electronic equipment products will be CE marked as required by Directive 2011/65/EU. Components may not be CE marked. Additionally, the part numbers that TE has identified as EU ELV compliant have a maximum concentration of 0.1% by weight in homogenous materials for lead, hexavalent chromium, and mercury, and 0.01% for cadmium, or qualify for an exemption to these limits as defined in the Annexes of Directive 2000/53/EC (ELV). Regarding the REACH Regulation, the information TE provides on SVHC in articles for this part number is based on the latest European Chemicals Agency (ECHA) 'Guidance on requirements for substances in articles' posted at this URL: <https://echa.europa.eu/guidance-documents/guidance-on-reach>

Compatible Parts

TE Part # 5207871-2
 SCREW RETAINER KIT

TE Part # 748274-4
 SCREW RETAINER CLIP,AMPLIMITE

Also in the Series | AMPLIMITE Kit

Connector Backshells(102)

Connector Strain Relief(30)

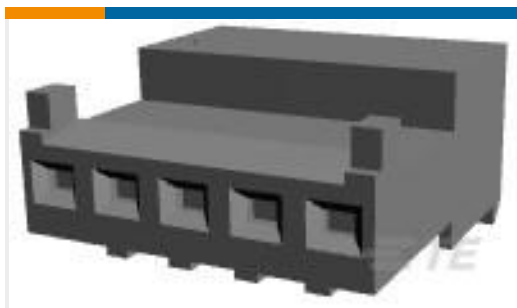
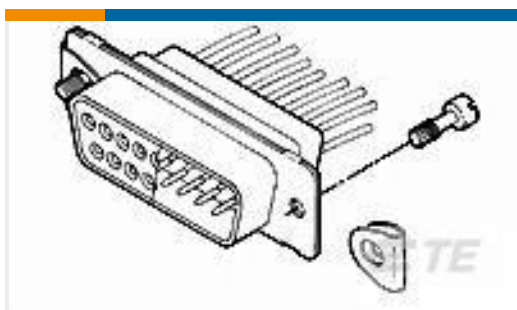
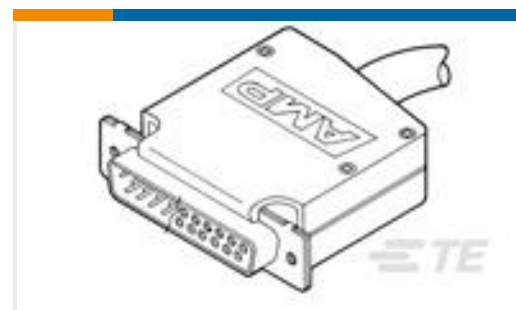
D-Sub Contact Accessories(1)

D-Sub Covers(3)



D-Sub Locking & Mounting(119)

Customers Also Bought

TE Part #3-643814-5
05P MTA100 CONN ASSY POL RIBTE Part #1318106-1
DYNAMIC D-2000 REC CONT STE Part #T1210240121-000
H24B-TS-PG21TE Part #193846-1
SKT ASSY.TE Part #1857211-3
4-40 UNC Screw Retainer Kit AmTE Part #2029047-2
2P MICRO MNL RCPT HSG SR SIDETE Part #207476-1
CABLE CLAMP KIT, SZ 5TE Part #T1410242000-100
H24B-AGTE Part #3-1393561-5
V42254A6107L 1-SUB D KONTAKTH

Documents

Product Drawings

SCREW RETAINER KIT

English

CAD Files

3D PDF

3D

Customer View Model

[ENG_CVM_CVM_5207871-1_O.2d_dxf.zip](#)



English

Customer View Model

[ENG_CVM_CVM_5207871-1_O.3d_igs.zip](#)

English

Customer View Model

[ENG_CVM_CVM_5207871-1_O.3d_stp.zip](#)

English

By downloading the CAD file I accept and agree to the [Terms and Conditions](#) of use.

Datasheets & Catalog Pages

[AMPLIMITE Subminiature D Connectors - Cable Connectors](#)

English

[AMPLIMITE Cable Connectors and Shielding Hardware Kits QRG](#)

English

Product Environmental Compliance

[MD_5207871-1_04032018121_dmtec](#)

English

[MD_5207871-1_04032018121_dmtec](#)

English

Instruction Sheets

[Instruction Sheet \(U.S.\)](#)

English