

THIS DRAWING IS UNPUBLISHED.

RELEASED FOR PUBLICATION

© COPYRIGHT - By -

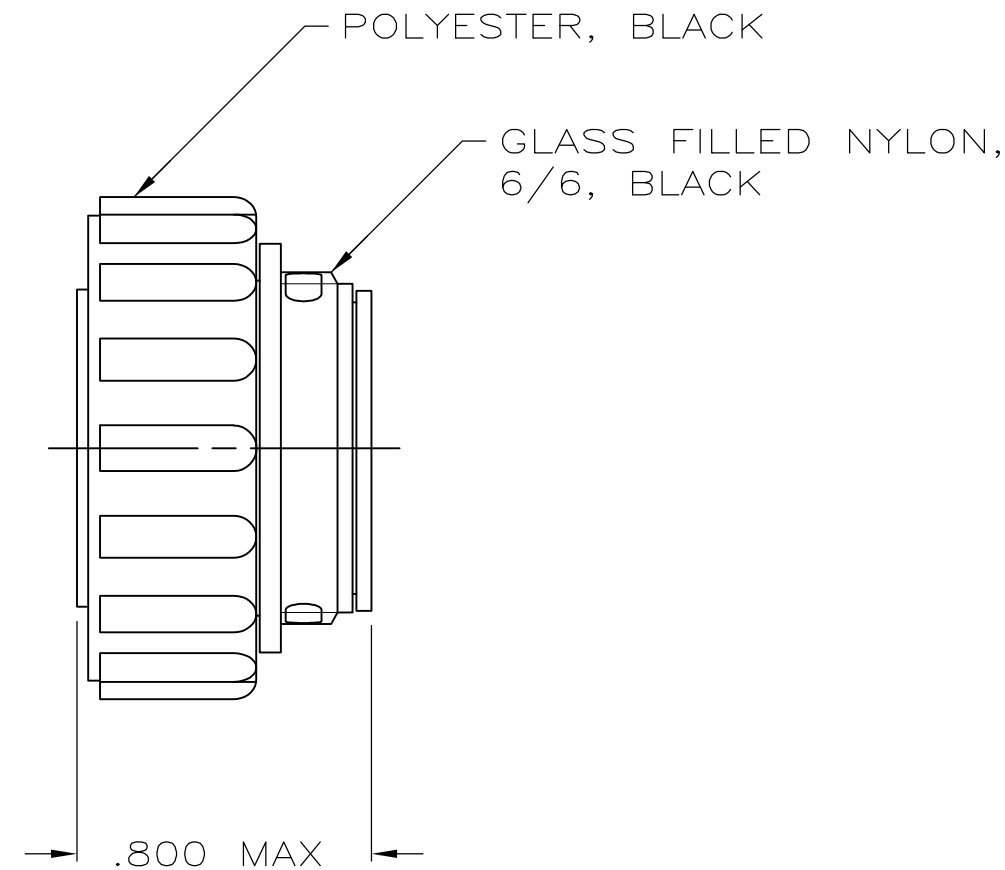
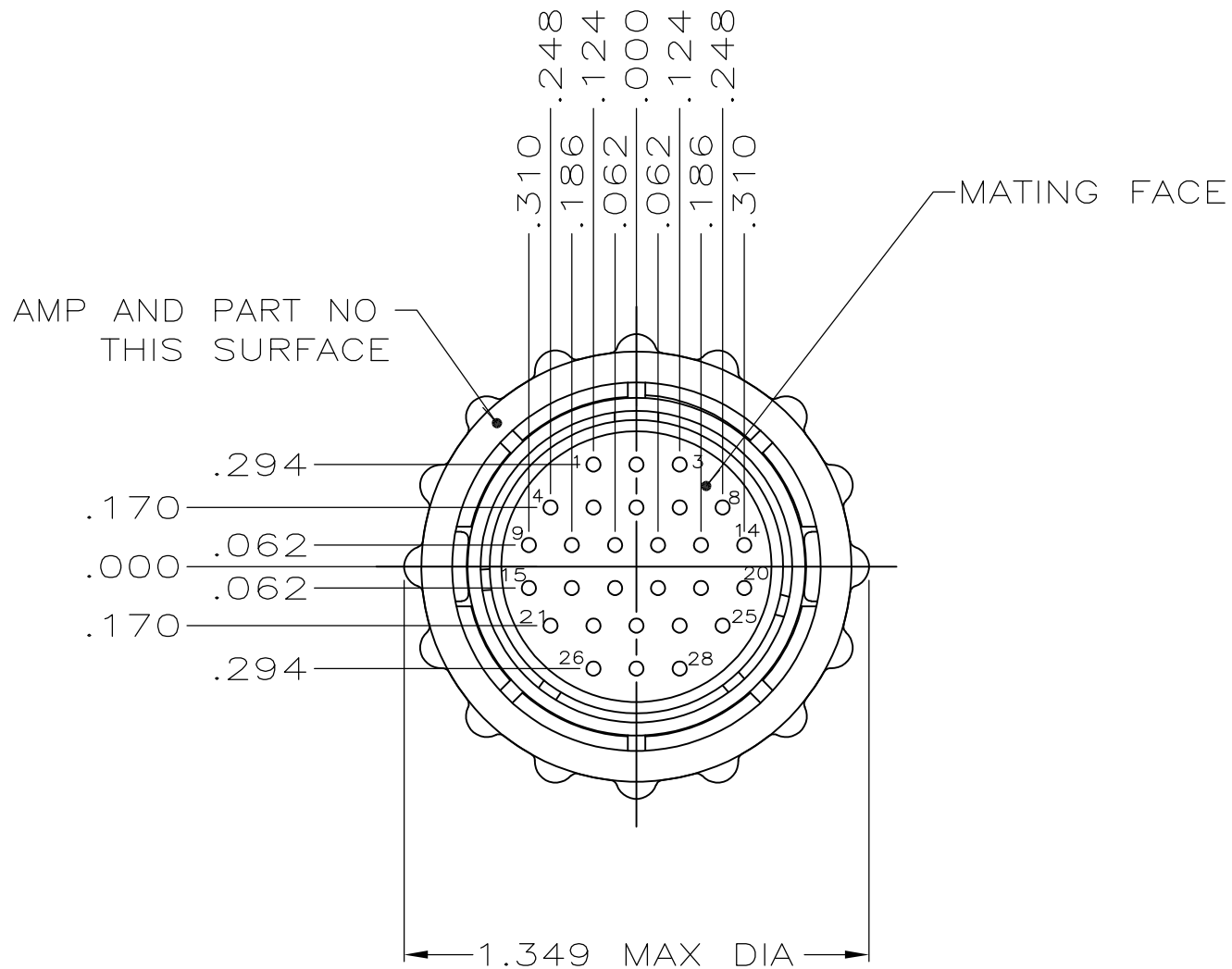
ALL RIGHTS RESERVED.

LOC  
FT

DIST  
4

REVISIONS


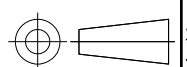
P	LTR	DESCRIPTION	DATE	DWN	APVD
	F1	REVISED PER ECO-11-004820	11MAR11	RK	HMR



206039-1

PART NUMBER

- CONTACT CAVITIES IDENTIFIED BY CHARACTERS ON FRONT AND REAR FACES OF CONNECTOR.
- WILL ACCEPT (28) SIZE 20 PIN CONTACTS.

THIS DRAWING IS A CONTROLLED DOCUMENT.		DWN A.STAUB BG 4/1/91	 TE Connectivity		
DIMENSIONS: INCHES		CHK W.G.LENKER 7-23-92			
		APVD K.BEAVER 7-23-92	NAME PLUG ASSEMBLY, REV SEX, SERIES 2, 17-28, CPC		
TOLERANCES UNLESS OTHERWISE SPECIFIED:		PRODUCT SPEC 108-10024	SIZE A3		
0 PLC ± - 1 PLC ± - 2 PLC ± - 3 PLC ± .005 4 PLC ± - ANGLES ± -		APPLICATION SPEC -	CAGE CODE 00779	DRAWING NO C-206039	RESTRICTED TO -
MATERIAL SEE CALLOUTS		FINISH -	WEIGHT -	SCALE 2:1	
CUSTOMER DRAWING			SHEET 1 OF 1	REV F1	