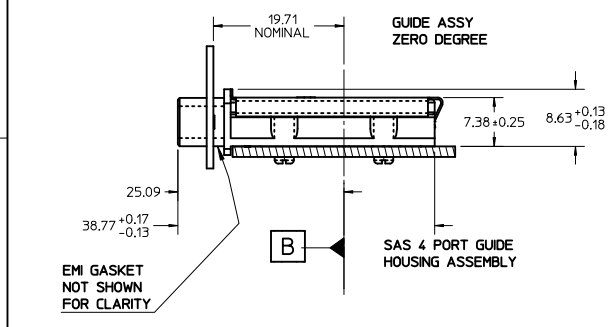


NOTES:

1. PCB AND BRACKET SHOWN FOR REFERENCE ONLY.
2. REF. SD-74547-100 FOR KEY POSITIONS
3. GUIDE HOUSING MOUNTING THREAD= M2 X 0.40, SEE SHEET 3 FOR SCREW LENGTH + TORQUE SPEC.
4. PLATE GROUND PAD WITH EMERSION SILVER OR GOLD.
5. MATERIAL:
GUIDE HOUSING - ZINC DIECAST, NICKEL PLATED
COVER - STAINLESS STEEL
6. THIS PRODUCT MEETS THE RESTRICTION OF HAZARDOUS SUBSTANCES IN ELECTRICAL AND ELECTRONIC EQUIPMENT (RoHS) DIRECTIVE (2002/95/EC)
7. GUIDE HOUSING PEGS FOR ALIGNMENT ONLY, DO NOT SOLDER.
8. THIS GUIDE HOUSING ASSEMBLY IS UNIVERSAL FOR SAS 2.1 AND SAS 2.0 CABLE ASSEMBLIES.

| PART NUMBER | PORT SIZE | SW | OAW | KEY(S) PORT1 | KEY(S) PORT2 | KEY(S) PORT3 | KEY(S) PORT4 | IDENTIFIERS | SCREWS INCLUDED | SCREW LENGTH |
|-------------|-----------|-------|-------|--------------|--------------|--------------|--------------|-------------------------|-----------------|--------------|
| 1110490307 | 4 | 76.30 | 80.00 | 2.4 | 2.4 | 2.4 | 2.4 | SAS OUT PORT/END DEVICE | NONE | N/A |
| 1110490308 | 4 | 76.30 | 80.00 | 4.6 | 4.6 | 4.6 | 4.6 | SAS IN PORT/END DEVICE | NONE | N/A |
| 1110490309 | 4 | 76.30 | 80.00 | 4 | 4 | 4 | 4 | SAS UNIVERSAL PORT | NONE | N/A |



UPDATE P/N CHART

EC NO: USY2012-0469

DRWN:TPRATT 2011/11/03

CHKD:AJOHNSTON 2011/11/03

APPR:RMKHAN 2011/11/15

DESCRIPTION

QUALITY SYMBOLS

GENERAL TOLERANCES (UNLESS SPECIFIED)

| | mm | INCH |
|---------------|--------|-------|
| 4 PLACES | ± --- | ± --- |
| 3 PLACES | ± --- | ± --- |
| 2 PLACES | ± 0.13 | ± --- |
| 1 PLACE | ± 0.25 | ± --- |
| ANGULAR ± 1 ° | | |

DRAFT WHERE APPLICABLE MUST REMAIN WITHIN DIMENSIONS

DIMENSION STYLE

MM ONLY

SCALE 1:1

DESIGN UNITS METRIC

THIRD ANGLE PROJECTION

TITLE

IPASS MINISAS 2.1 26CKT GUIDE HOUSING ASSEMBLY 0 DEGREE, MULTI PORT

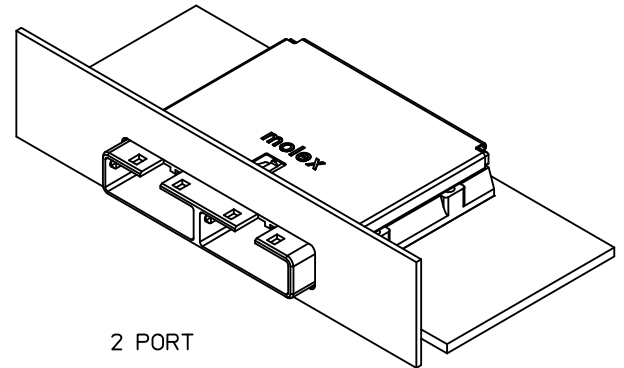
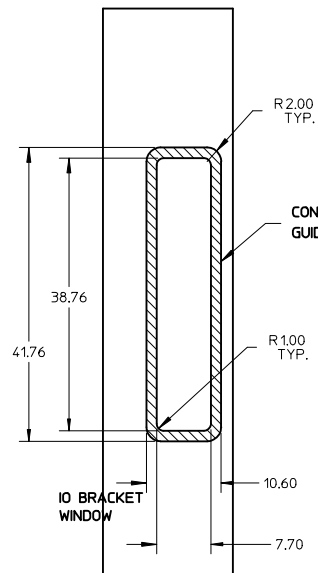
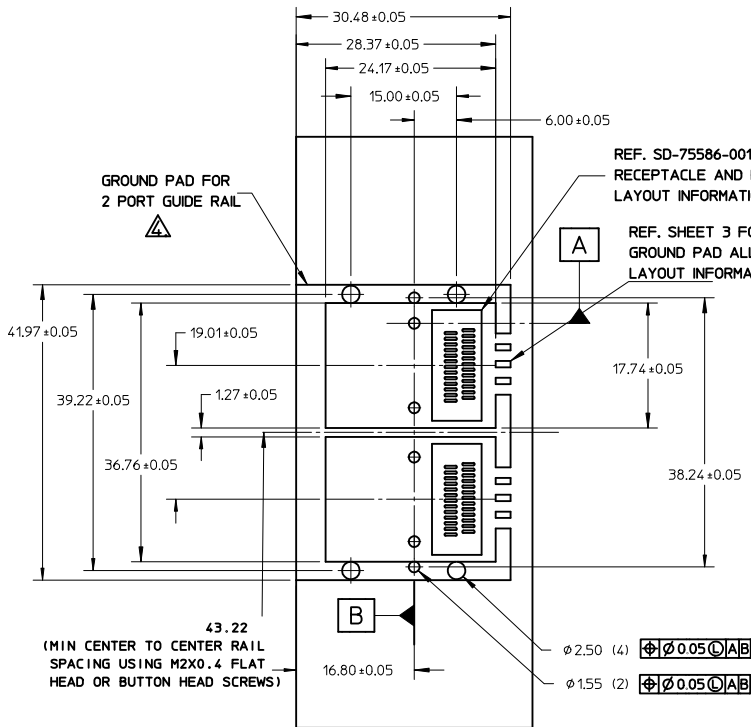
molax MOLEX INCORPORATED

MATERIAL NO. SEE TABLE

DOCUMENT NO. SD-111049-030

SHEET NO. 1 OF 3

THIS DRAWING CONTAINS INFORMATION THAT IS PROPRIETARY TO MOLEX INCORPORATED AND SHOULD NOT BE USED WITHOUT WRITTEN PERMISSION



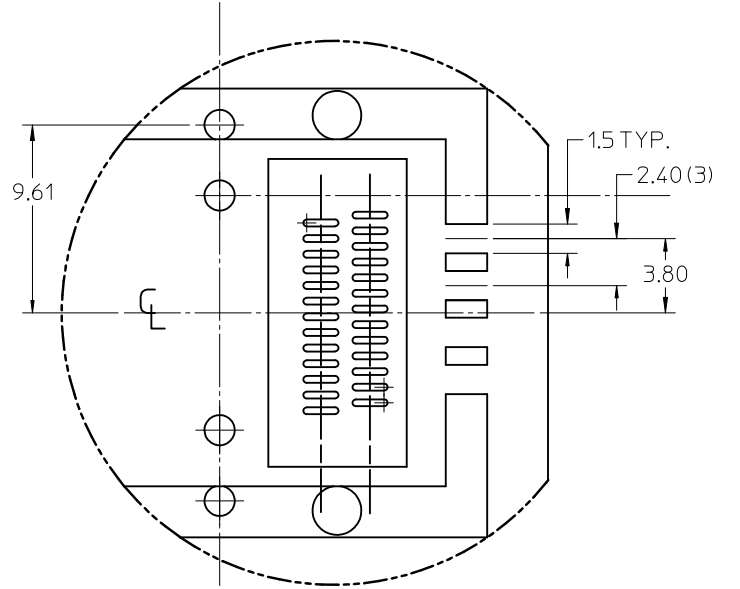
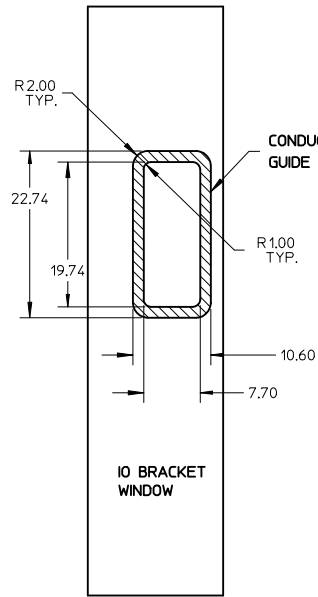
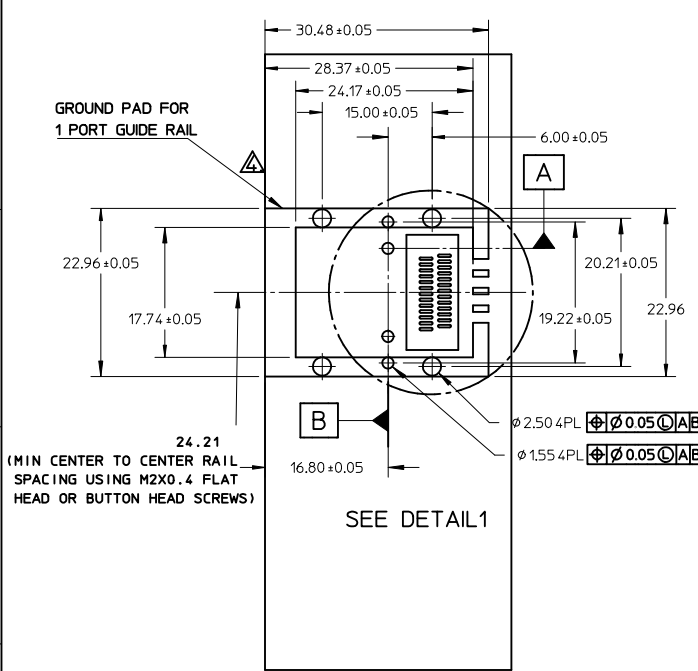
| PART NUMBER | PORT SIZE | SW | OAW | KEY(S) PORT1 | KEY(S) PORT2 | IDENTIFIERS | SCREWS INCLUDED | SCREW LENGTH |
|-------------|-----------|-------|-------|--------------|--------------|--------------------------|-----------------|--------------|
| 1110490304 | 2 | 38.26 | 41.96 | 2,4 | 2,4 | SAS OUT PORT/END DEVICE | NONE | N/A |
| 1110490305 | 2 | 38.26 | 41.96 | 4,6 | 4,6 | SAS IN PORT/END DEVICE | NONE | N/A |
| 1110490306 | 2 | 38.26 | 41.96 | 4 | 4 | SAS UNIVERSAL PORT | NONE | N/A |
| 1110490310 | 2 | 38.26 | 41.96 | 2,4 | 4,6 | SAS OUT PORT/SAS IN PORT | NONE | N/A |
| 1110490321 | 2 | 38.26 | 41.96 | 6 | 6 | SAS IN PORT | NONE | N/A |

| | | | | | | | | | | |
|--|-------------------------------|--|----------------------|----------------------------|----------------------|----------------------|------------------------|--|--|---------------------|
| UPDATE P/N CHART EC NO: USY2012-0469 DRWN: PRATT 2011/11/03 CHKD: A JOHNSTON 2011/11/03 APPR: RINKHAN 2011/11/15 | QUALITY SYMBOLS ▽=0 ▽=0 | GENERAL TOLERANCES (UNLESS SPECIFIED) | | DIMENSION STYLE MM ONLY | | SCALE 1:1 | DESIGN UNITS METRIC | THIRD ANGLE PROJECTION | | |
| | | 4 PLACES ± --- ± --- | 3 PLACES ± --- ± --- | 2 PLACES ± 0.13 ± --- | 1 PLACE ± 0.25 ± --- | DRAWN BY BREED | DATE 2009/12/02 | TITLE IPASS MINISAS 2.1 26CKT GUIDE HOUSING ASSEMBLY 0 DEGREE, MULTI-PORT | | |
| | | ANGULAR ± 1 ° | | | | CHECKED BY DDOYE | DATE 2009/12/02 | | | |
| | | DRAFT WHERE APPLICABLE MUST REMAIN WITHIN DIMENSIONS | | | | APPROVED BY DDOYE | DATE 2010/04/21 | MOLEX INCORPORATED | | SHEET NO. 2 OF 3 |

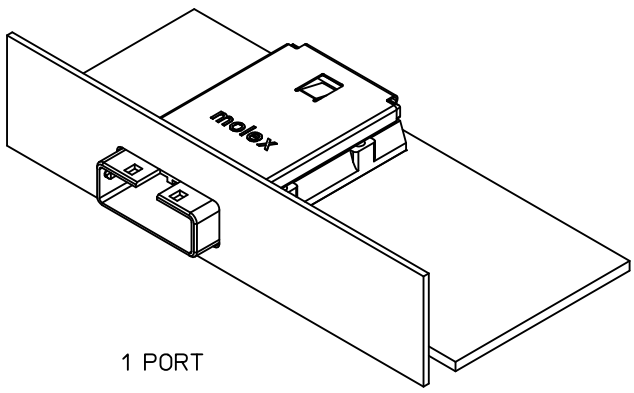
SEE TABLE

SD-111049-030

THIS DRAWING CONTAINS INFORMATION THAT IS PROPRIETARY TO MOLEX INCORPORATED AND SHOULD NOT BE USED WITHOUT WRITTEN PERMISSION



DETAIL1
SCALE 4:1



| PCB THICKNESS | SCREW LENGTH | TORQUE (IN LBS) |
|---------------|--------------|-----------------|
| 1.6 (.063') | 5MM | 2.3 |
| 2.38 (.093') | 6MM | 2.3 |
| 3.2 (.125') | 6MM | 2.3 |
| X | +4MM MAX | 2.3 |

| PART NUMBER | PORT SIZE | SW | OAW | KEY(S) | IDENTIFIERS | SCREWS INCLUDED | SCREW LENGTH |
|-------------|-----------|-------|-------|--------|-------------------------|-----------------|--------------|
| 1110490301 | 1 | 19.24 | 22.95 | 2,4 | SAS OUT PORT/END DEVICE | NONE | N/A |
| 1110490302 | 1 | 19.24 | 22.95 | 4,6 | SAS IN PORT/END DEVICE | NONE | N/A |
| 1110490303 | 1 | 19.24 | 22.95 | 4 | SAS UNIVERSAL PORT | NONE | N/A |
| 1110490320 | 1 | 19.24 | 22.95 | 2 | SAS OUT PORT | NONE | N/A |
| 1110490303 | 1 | 19.24 | 22.95 | 4 | SAS UNIVERSAL PORT | NONE | N/A |
| 1110490323 | 1 | 19.24 | 22.95 | 4 | SAS UNIVERSAL PORT | 74540-0042 | 6MM |

| | | | | | | | | | | |
|---|-------------------------------|---------------------------------------|--|----------------------------|--|---|------------------------|---|--|---------------------|
| UPDATE P/N CHART EC NO: USY2012-0469 DRWN:TPRATT 2011/11/03 CHKD:AJOHNSTON 2011/11/03 APPR:RKHAN 2011/11/15 | QUALITY SYMBOLS ▽=0 ▽=0 | GENERAL TOLERANCES (UNLESS SPECIFIED) | | DIMENSION STYLE MM ONLY | | SCALE 1:1 | DESIGN UNITS METRIC | THIRD ANGLE PROJECTION | | |
| | | mm | | INCH | | DRAWN BY BREED | DATE 2009/12/02 | TITLE IPASS MINISAS 2.1 26CKT GUIDE HOUSING ASSEMBLY 0 DEGREE, MULTIPORT MOLEX MOLEX INCORPORATED | | |
| | | 4 PLACES ± --- ± --- | | 3 PLACES ± --- ± --- | | CHECKED BY DDOYE | DATE 2009/12/02 | | | |
| | | 2 PLACES ± 0.13 ± --- | | 1 PLACE ± 0.25 ± --- | | APPROVED BY DDOYE | DATE 2010/04/21 | DOCUMENT NO. SD-111049-030 | | SHEET NO. 3 OF 3 |
| DRAFT WHERE APPLICABLE MUST REMAIN WITHIN DIMENSIONS | | | | SEE TABLE | | THIS DRAWING CONTAINS INFORMATION THAT IS PROPRIETARY TO MOLEX INCORPORATED AND SHOULD NOT BE USED WITHOUT WRITTEN PERMISSION | | | | |