

MATERIALS AND FINISHES

BODY: BRASS
PLATED TRI-M3

CONTACT: BRASS
PLATED SILVER

COUPLING NUT: BRASS
PLATED TRI-M3

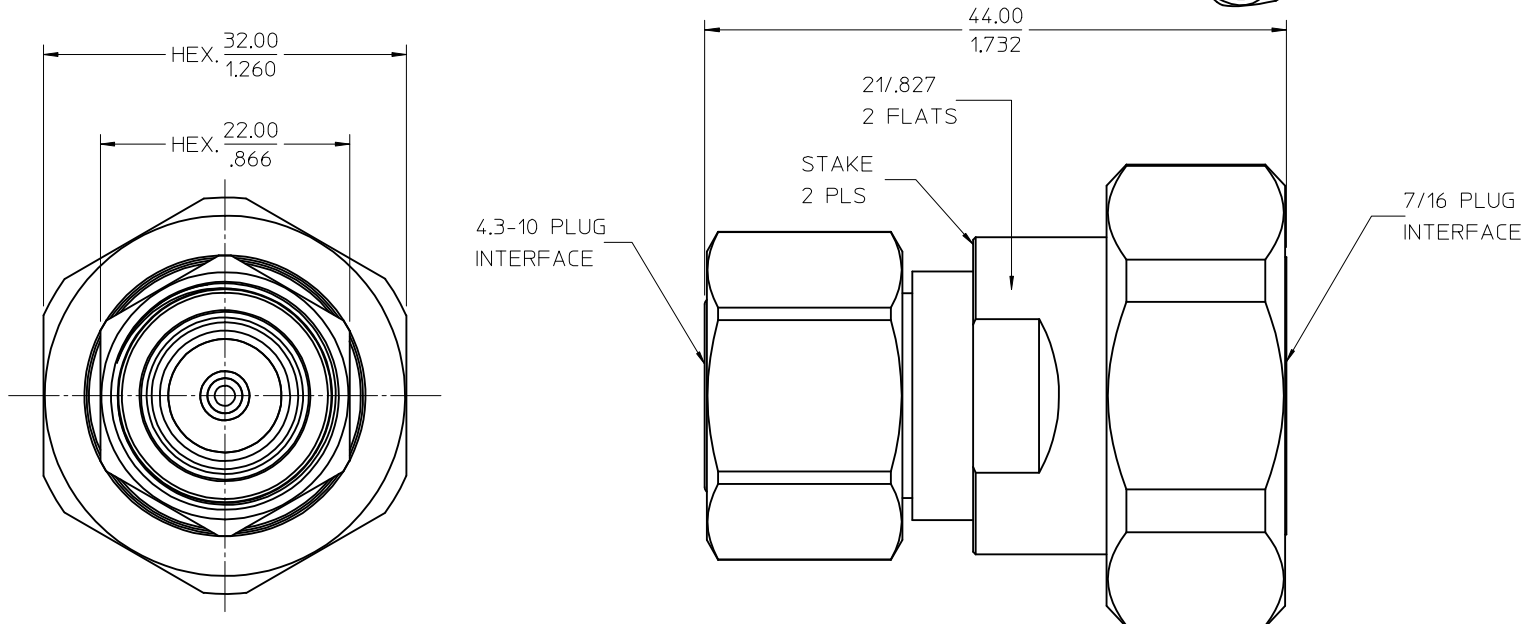
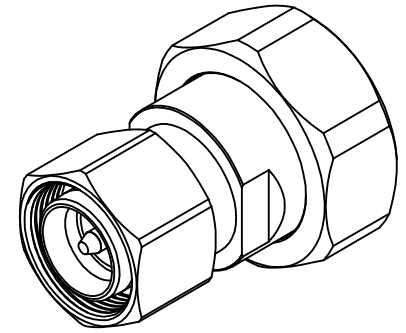
INSULATOR: TEFLON

O-RING: SILICON RUBBER

NOTE: ADAPTORS SHIPPED WITH
POLYETHYLENE DUST CAP

PERFORMANCE REQUIREMENTS:

FREQUENCY RANGE: DC-3000MHz
TEMPERATURE RANGE: -40-+85°C
IMPEDANCE: 50 OHM
WITHSTAND VOLTAGE(AC): 2500V @0.5mA
VSWR: ≤1.08(0-3000MHz)
PIM3(2X20W): <163dBC @ALL



73386-7512	CUSTOMER BOX
73386-7511	ONE PIECE PER CARTON
73386-7510	BLANK
PART NO.	PACKAGING

IEC61169-54	INTERFACE (4.3-10 PORT)
IEC60169-4	INTERFACE (7/16 PORT)
SPECIFICATION	DESCRIPTION

CHG: ADD NEW PN. 73386-7512 EWR # 11329-A EC NO: URF2018-0044 DRWN:YHUANG11 2017/09/07 CHKD: APPR:MYE08 2017/09/08 DESCRIPTION REV: A1	QUALITY SYMBOLS ▽=0 ▽=0 ▽=0	GENERAL TOLERANCES (UNLESS SPECIFIED) <table border="1"> <tr> <th></th> <th>mm</th> <th>INCH</th> </tr> <tr> <td>4 PLACES</td> <td>± ---</td> <td>± ---</td> </tr> <tr> <td>3 PLACES</td> <td>± ---</td> <td>± ---</td> </tr> <tr> <td>2 PLACES</td> <td>± ---</td> <td>± ---</td> </tr> <tr> <td>1 PLACE</td> <td>± ---</td> <td>± ---</td> </tr> <tr> <td>0 PLACE</td> <td>± ---</td> <td>± ---</td> </tr> </table> ANGULAR ± 2° DRAFT WHERE APPLICABLE MUST REMAIN WITHIN DIMENSIONS		mm	INCH	4 PLACES	± ---	± ---	3 PLACES	± ---	± ---	2 PLACES	± ---	± ---	1 PLACE	± ---	± ---	0 PLACE	± ---	± ---	DIMENSION STYLE MM/IN DRAWN BY DATE JWU83 2016/01/11 CHECKED BY DATE YHUANG11 2016/03/14 APPROVED BY DATE MYE08 2017/03/21	SCALE DESIGN UNITS METRIC THIRD ANGLE PROJECTION	TITLE ADAPTOR 4.3-10 PLUG TO 7/16 PLUG molex DOCUMENT NO. SD-73386-751 SHEET NO. 1 OF 1
		mm	INCH																				
	4 PLACES	± ---	± ---																				
	3 PLACES	± ---	± ---																				
2 PLACES	± ---	± ---																					
1 PLACE	± ---	± ---																					
0 PLACE	± ---	± ---																					
MATERIAL NO. SEE TABLE		THIS DRAWING CONTAINS INFORMATION THAT IS PROPRIETARY TO MOLEX INCORPORATED AND SHOULD NOT BE USED WITHOUT WRITTEN PERMISSION																					