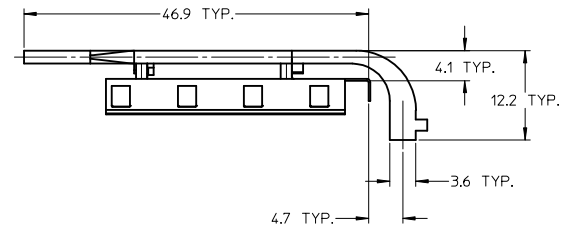
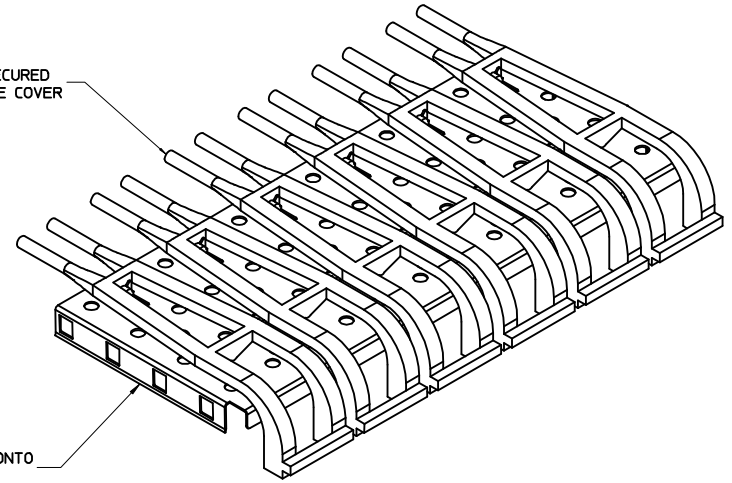


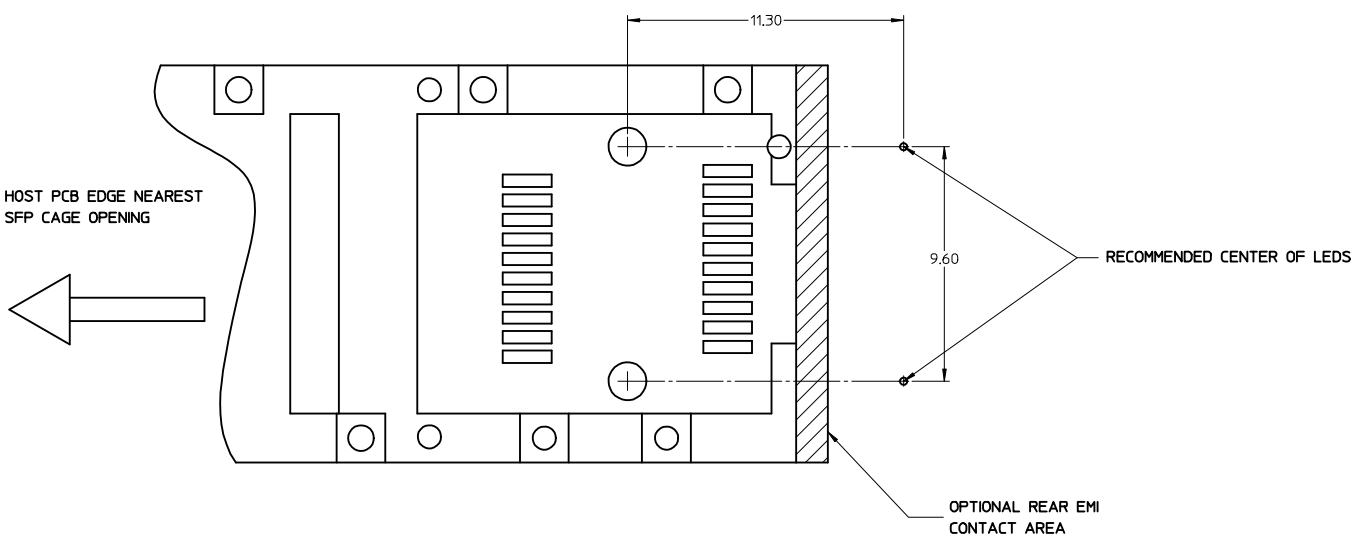
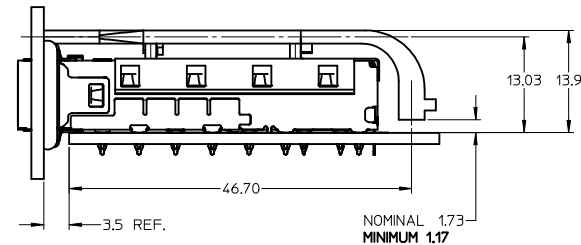
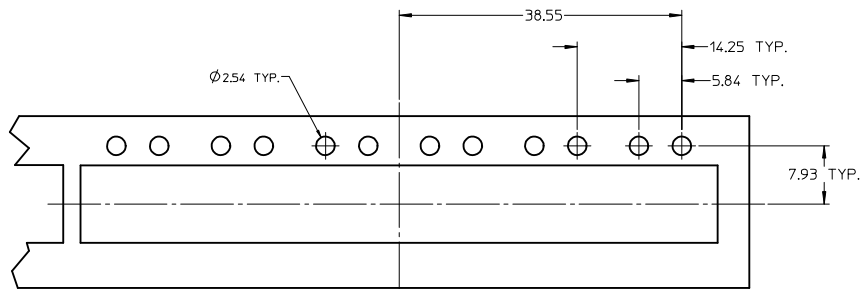
1. MATERIAL:  
 COVER: COPPER ALLOY  
 LIGHT PIPE: POLYCARBONATE (94-V0 RATED)
2. THIS LIGHT PIPE ASSEMBLY IS TO BE USED WITH THE SFP+ 1X6 CAGE ASSEMBLY P/N 7475406\*\*
3. IT IS RECOMMENDED THAT THE CAGE BE PRESSED INTO OR SOLDERED TO THE PCB PRIOR TO ASSEMBLING THE LIGHT PIPE ASSEMBLY.
4. THIS PART MEETS THE RESTRICTION OF HAZARDOUS SUBSTANCES IN ELECTRICAL AND ELECTRONIC EQUIPMENT (RoHS) DIRECTIVE (2002/95/EC)

LIGHT PIPES SECURED TO METAL CAGE COVER

COVER DESIGNED TO SNAP ONTO THE SFP+ CAGE ASSEMBLY



<b>ENTER DESCRIPTION</b> IEC NO: USY2009-0143 DRAWN/INKE 2008/10/22 CHKD/AR/INKE 2008/10/22 APPR:K.JANOTA 2008/10/22 REV DESCRIPTION	<b>QUALITY SYMBOLS</b> ▽=0 ▽=0		<b>GENERAL TOLERANCES (UNLESS SPECIFIED)</b>		<b>DIMENSION STYLE</b> MM ONLY	<b>SCALE</b> 3:1	<b>DESIGN UNITS</b> METRIC	THIRD ANGLE PROJECTION
	4 PLACES ± --- ± --- 3 PLACES ± --- ± --- 2 PLACES ± 0.15 ± --- 1 PLACE ± 0.25 ± --- ANGULAR ± 1°	mm INCH	DRAWN BY JREEVES	DATE 2008/10/15	CHECKED BY MA.JOHNSTON	DATE 2008/10/17	<b>TITLE</b> SFP+ 1X6 LIGHT PIPE ASSY, LOW PROFILE - THRU BEZEL	
DRAFT WHERE APPLICABLE MUST REMAIN WITHIN DIMENSIONS	MATERIAL NO. <b>747540061</b>	APPROVED BY K.JANOTA	DATE 2008/10/20	<b>MOLEX INCORPORATED</b>		DOCUMENT NO. <b>SD-74754-0061</b>	SHEET NO. 1 OF 3	



HOST PCB LAYOUT NOTES (SCALE 10:1)

1. LED SHOULD BE PLACED RELATIVE TO THE SFP CONNECTOR POST HOLES
2. LAYOUT APPLIES TO EACH PORT

<b>ENTER DESCRIPTION</b> IEC NO.: USY2009-0143 DRAWN BY: CHYKARINE 2008/10/22 CHECKED BY: APPR:K.JANOTA 2008/10/22	QUALITY SYMBOLS	GENERAL TOLERANCES (UNLESS SPECIFIED)	DIMENSION STYLE	SCALE	DESIGN UNITS	THIRD ANGLE PROJECTION
	▼=0 ▽=0	mm INCH 4 PLACES ± --- ± --- 3 PLACES ± --- ± --- 2 PLACES ± 0.15 ± --- 1 PLACE ± 0.25 ± --- ANGULAR ± 1 °	MM ONLY	3:1	METRIC	DRAWN BY: JREEVES DATE: 2008/10/15 CHECKED BY: MA JOHNSTON DATE: 2008/10/17 APPROVED BY: K. JANOTA DATE: 2008/10/20
	DRAFT WHERE APPLICABLE MUST REMAIN WITHIN DIMENSIONS	MATERIAL NO.: 747540061 SIZE: D	TITLE: SFP+ 1X6 LIGHT PIPE ASSY, LOW PROFILE - THRU BEZEL MOLEX INCORPORATED	DOCUMENT NO.: SD-74754-0061 SHEET NO.: 2 OF 3		
	THIS DRAWING CONTAINS INFORMATION THAT IS PROPRIETARY TO MOLEX INCORPORATED AND SHOULD NOT BE USED WITHOUT WRITTEN PERMISSION					

20 19 18 17 16 15 14 13 12 11 10 9 8 7 6 5 4 3 2 1

DATE	REV	DESCRIPTION
2008/10/21	A	INITIAL RELEASE

<b>ENTER DESCRIPTION</b> IEC NO. USY2009-0143 DRAWN BY CHYDARIWKE 2008/10/22 CHECKED BY APPR:K.JANOTA 2008/10/22 REV DESCRIPTION	QUALITY SYMBOLS 	GENERAL TOLERANCES (UNLESS SPECIFIED) <table border="1"> <thead> <tr> <th></th> <th>mm</th> <th>INCH</th> </tr> </thead> <tbody> <tr> <td>4 PLACES</td> <td>± .005</td> <td>± .0004</td> </tr> <tr> <td>3 PLACES</td> <td>± .002</td> <td>± .0001</td> </tr> <tr> <td>2 PLACES</td> <td>± 0.15</td> <td>± .006</td> </tr> <tr> <td>1 PLACE</td> <td>± 0.25</td> <td>± .010</td> </tr> </tbody> </table>		mm	INCH	4 PLACES	± .005	± .0004	3 PLACES	± .002	± .0001	2 PLACES	± 0.15	± .006	1 PLACE	± 0.25	± .010	DIMENSION STYLE <b>MM ONLY</b>	SCALE <b>1:1</b>	DESIGN UNITS <b>METRIC</b>	THIRD ANGLE PROJECTION 
		mm	INCH																		
	4 PLACES	± .005	± .0004																		
	3 PLACES	± .002	± .0001																		
2 PLACES	± 0.15	± .006																			
1 PLACE	± 0.25	± .010																			
DRAWN BY JREEVES CHECKED BY MA JOHNSTON APPROVED BY K. JANOTA	DATE 2008/10/15 DATE 2008/10/17 DATE 2008/10/20	TITLE <b>SFP+ 1X6 LIGHT PIPE ASSY, LOW PROFILE - THRU BEZEL</b>	<b>MOLEX INCORPORATED</b>																		
MATERIAL NO. <b>747540061</b>	DOCUMENT NO. <b>SD-74754-0061</b>	SHEET NO. <b>3 OF 3</b>																			
DRAFT WHERE APPLICABLE MUST REMAIN WITHIN DIMENSIONS						SIZE <b>D</b>	THIS DRAWING CONTAINS INFORMATION THAT IS PROPRIETARY TO MOLEX INCORPORATED AND SHOULD NOT BE USED WITHOUT WRITTEN PERMISSION														

19 18 17 16 15 14 13 12 11 10 9 8 7 6 5 4 3 2 1