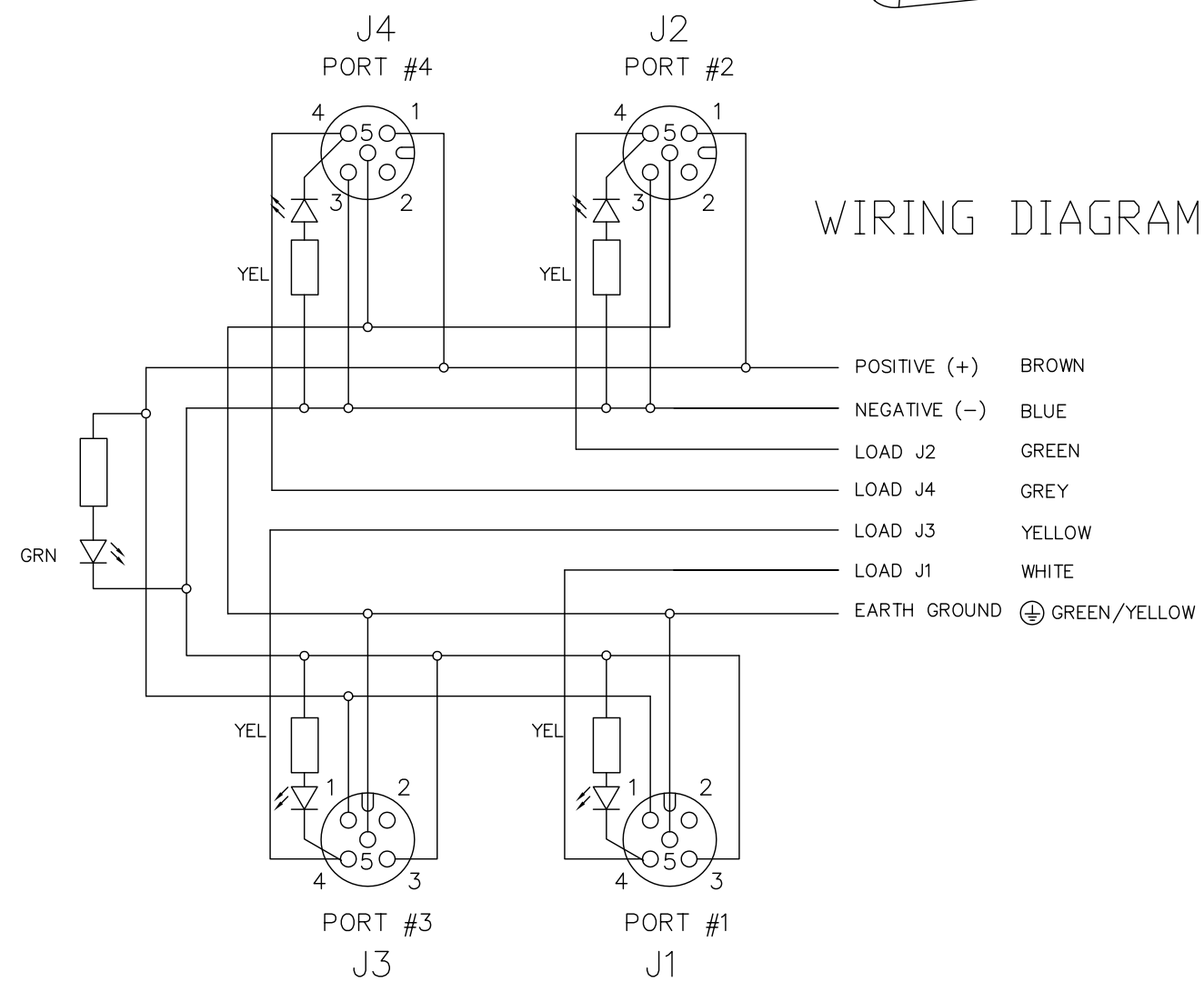
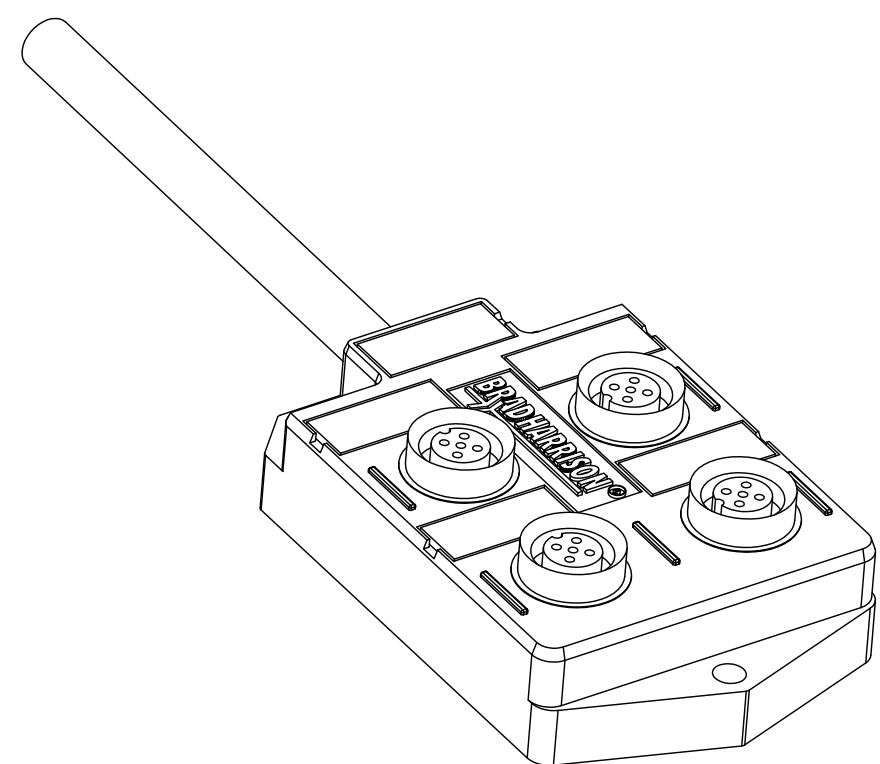
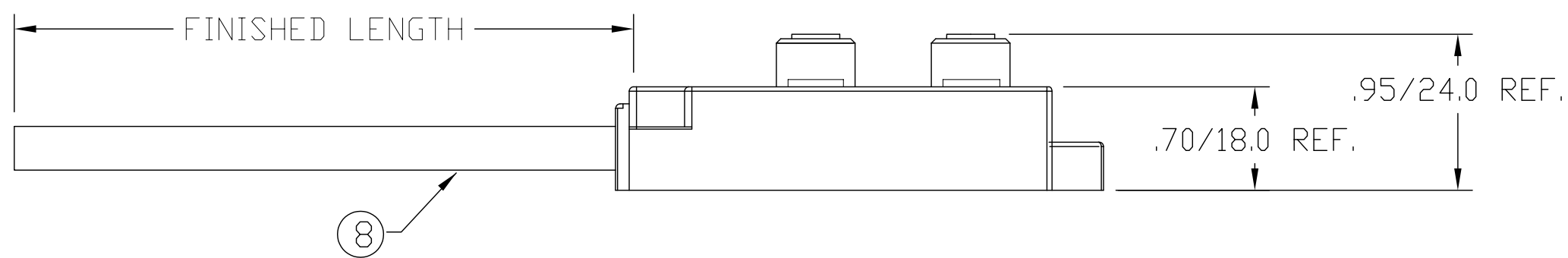
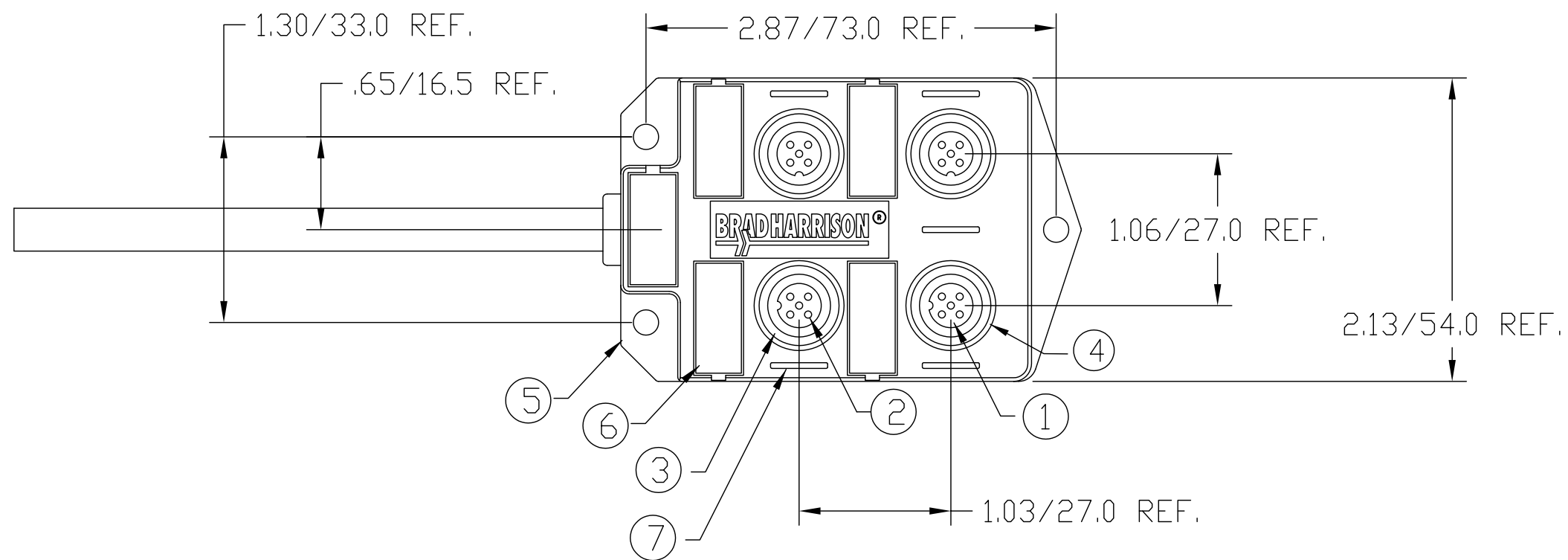


MATERIAL NUMBER	OLD PART NUMBER	FINISHED LENGTH	CABLE JACKET MATERIAL
1201140015	BTY401N-FBE-05	16.40' +6.50" -0 [5.0M +165.1 -0]	PVC
1201140016	BTY401N-FBE-10	32.81' +12.50" -0 [10.0M +317.5 -0]	PVC
1201140017	BTY401N-FBE-20	65.60' +12.50" -0 [20.0M +317.5 -0]	PVC
1201140018	BTY401N-FBP-05	16.40' +6.50" -0 [5.0M +165.1 -0]	PUR



VOLTAGE RATING	10-30 VDC
AMPERAGE RATING PER PORT	4 AMPS
PROTECTION	IP67
OPERATING TEMPERATURE	-20°C TO 90°C
UL CERTIFICATIONS	UL RECOGNIZED, FILE NO. E46237
CSA CERTIFICATIONS	CSA CERTIFIED, FILE NO. LR6837

ITEM	COMPONENT	MATERIAL	FINISH
1	INSERT	NYLON	BLACK
2	CONTACT SOCKET	COPPER ALLOY	GOLD OVER NICKEL
3	O-RING	NITRILE	RED
4	RECEPTACLE SHELL	BRASS	NICKEL PLATED
5	HOUSING	PBT	YELLOW
6	LABEL	ABS	WHITE
7	LENS	NYLON	CLEAR
8	CABLE, 18AWG, 3 CONDUCTOR, 22AWG, 4 CONDUCTOR, 300V	SEE P/N TABLE	YELLOW

ADD 2 PINS TO TABLE EC NO: WEU2010-0374 DRWN: FPACHER 2010/02/16 CH'KD: NSTAUDIG APPR: NSTAUDIG 2010/02/18	QUALITY SYMBOL ▽=0 ◻=0	GENERAL TOLERANCES (UNLESS SPECIFIED)		DIMENSION STYLE		SCALE	DESIGN UNITS	THIRD ANGLE PROJECTION	
				IN/MM		NTS	METRIC		
				mm	INCH	DRAWN BY	DATE		TITLE
				4 PLACES ±-	±-	FP	2010/02/15		MICRO-CHANGE MPIS 4 PORT TOP MOUNT NPN #18/3 + #22/4 CABLE
		3 PLACES ±-	±-	CHECKED BY	DATE	MOLEX INCORPORATED	SD-120114-011	SHEET NO. 1 OF 1	
		2 PLACES ±-	±.01	NS	2010/02/16				
		1 PLACE ±0.3	±-	APPROVED BY	DATE	THIS DRAWING CONTAINS INFORMATION THAT IS PROPRIETARY TO MOLEX INCORPORATED AND SHOULD NOT BE USED WITHOUT WRITTEN PERMISSION			
		ANGULAR ±°		NSTAUDIG 2010/02/18					
		DRAFT WHERE APPLICABLE MUST REMAIN WITHIN DIMENSIONS		SEE CHART					
				MATERIAL NO.					
				SIZE					
				C					