

EdgeReady™ Micro Data Center



Wall-Mount, 9U Usable, 1.5 kVA, 230V

Benefits

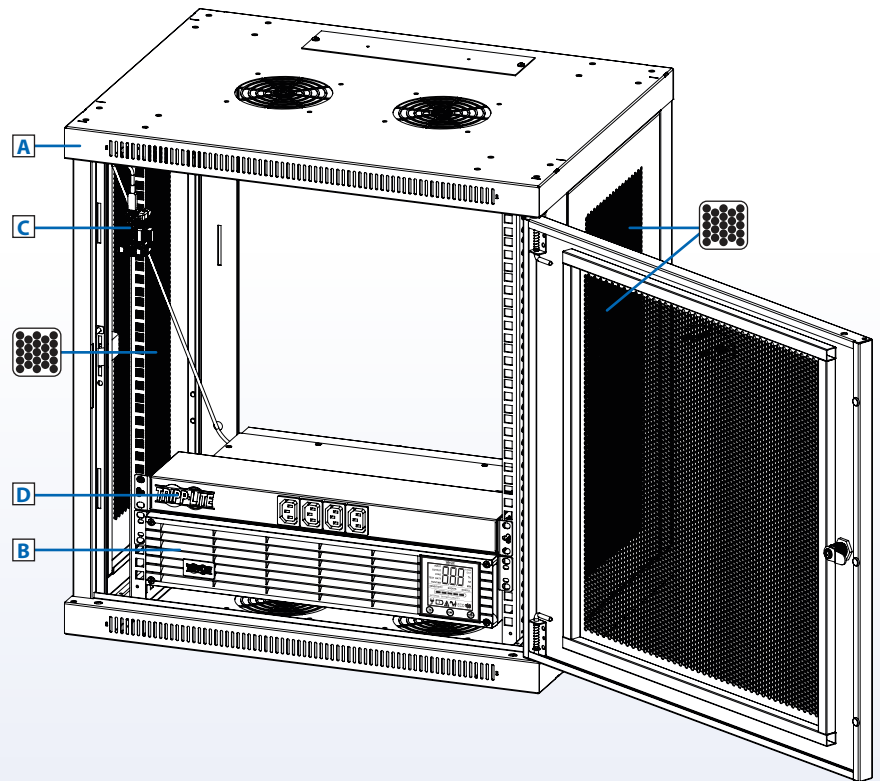
- Provides preconfigured IT infrastructure for edge computing servers, storage and network hardware in locations without available floor space
- Integrates secure rack space, reliable power distribution, battery backup, remote management and passive cooling
- Prevents configuration errors, reduces installation time, decreases field costs and standardizes edge computing infrastructure
- Kit ships three business days from receipt of order, after design validation by solution experts

Included Hardware

- A** **SRW12U** Wall-Mount Rack Enclosure
- B** **SMX1500XLR2U** SmartPro® UPS System with **P056-006-10A** Input Cord and **WEBCARDLX** Network Management Card
- C** **E2MTHDI** Environmental Sensor (Temperature/Humidity/Digital Inputs)
- D** **PDU12IEC** Basic PDU with **P047-004** Input Cord

Kit includes major components ready for final assembly on-site.

See Next Page for Customization Options



Specifications

Model (Kit)	MDK2W09UPX00000
Model (Assembled/Tested)	Not Available for Wall-Mount Units
Output Power Capacity	1.5 kVA/1.35 kW/5.9A Max
Rack Space	12U Total; 9U Usable
Weight Capacity	90 kg Total; 47 kg Usable
Maximum Device Depth	419 mm
Site Power Requirements	230V, 13/16A, 50/60 Hz
Site Outlet Required	BS 1363 (Standard) or CEE 7/7 "Schuko" (Optional)
UPS Type	Line-Interactive with Sine Wave Output
Runtime (50%/100% Load)	14/4.9 min. (Expandable with 1.2 kW Limit)
High-Availability Features	Automatic Voltage Regulation (AVR); Battery Backup; Hot-Swappable Batteries
Usable Outlets (UPS + PDU)	(19) C13, (2) C19
Dimensions (Assembled)	637 x 600 x 449 mm
Weight (Assembled)	44 kg
Warranty*	2-Year Limited Warranty (Extendable)

*Any component with a warranty longer than 2 years will be covered by the longer warranty.



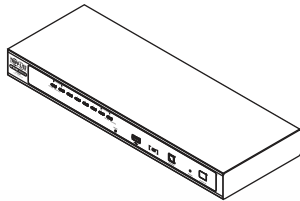
Powering and Connecting Your World

Unlimited Micro Data Center Customization

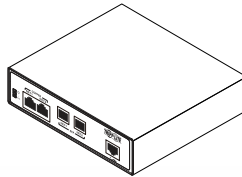
Tripp Lite's solutions team is standing by to help you tailor your EdgeReady micro data center to match the business and technology requirements of your edge deployment strategy. We ship custom solutions in as little as five business days.

We can help you customize your EdgeReady micro data center in several ways:

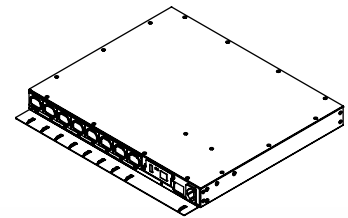
- Quick and easy customization via add-on accessories for the stock configurations
- Upgrades to included components of stock configurations with ready-to-ship alternatives
- Customization of individual components like racks, PDUs and cables (increases lead time)



B022-U08-IP
1U KVM Switch with 8 Ports
and Remote Access



B093-004-2E4U
4-Port Console Server with Modem Support
for Fail-Safe Access



PDUMH15HVNET
1U Switched PDU
with Remote Current Monitoring,
Alerts and Outlet Control

Optional Accessories, Sold Separately (Visit tripplite.com to see the full selection.)

Switched PDU	PDUMH15HVNET with (8) C13; 1U (Replaces standard PDU.)
Battery Packs for Extended Runtime (50%/100% Load)	59/23 min. with BP36V15-2U (Limit 1); 85/34 min. with BP36V27-2US ; 177/73 min. with BP36V42-3U
KVM Switch	B022-U08-IP
Console Server	B093-004-2E4U
Door Monitoring Kit	SRSWITCH (Monitors front/rear doors.)
Airflow Management	SR1UPANEL10 and/or SR1UBRUSH
Cable Managers	40+ Horizontal, Vertical and External Cable Management Options at tripplite.com
Power Cords	French/German UPS Input Cord with CEE 7/7 "Schuko" Plug (P054-006); Match Others to IT Equipment; 250+ Power Cord Options at tripplite.com
Network Cables	Match to IT Equipment; 1000+ Copper and Fiber Network Cable Options at tripplite.com
Patch Panels	60+ Copper and Fiber Patch Panel Options at tripplite.com
Additional Sensors	E2MT (Connect up to 3 sensors total per WEBCARDLX to monitor top/middle/bottom temperature.)

1111 W. 35th Street, Chicago, IL 60609 USA | +1.773.869.1212 | tripplite.com



Powering and Connecting Your World