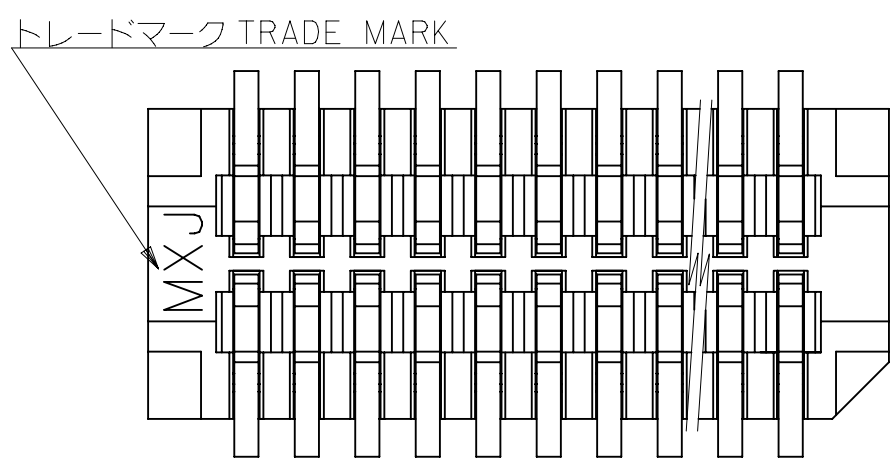


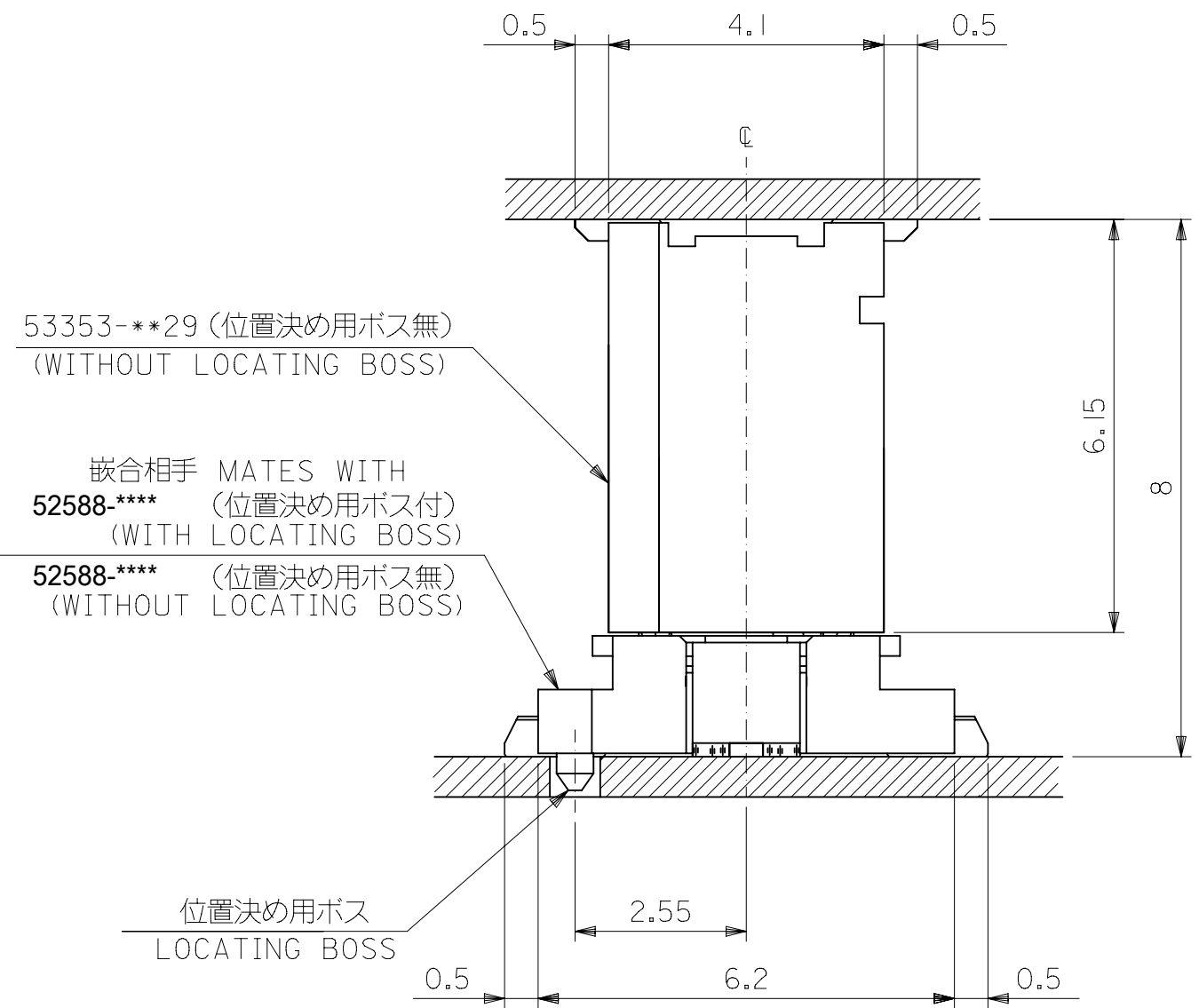
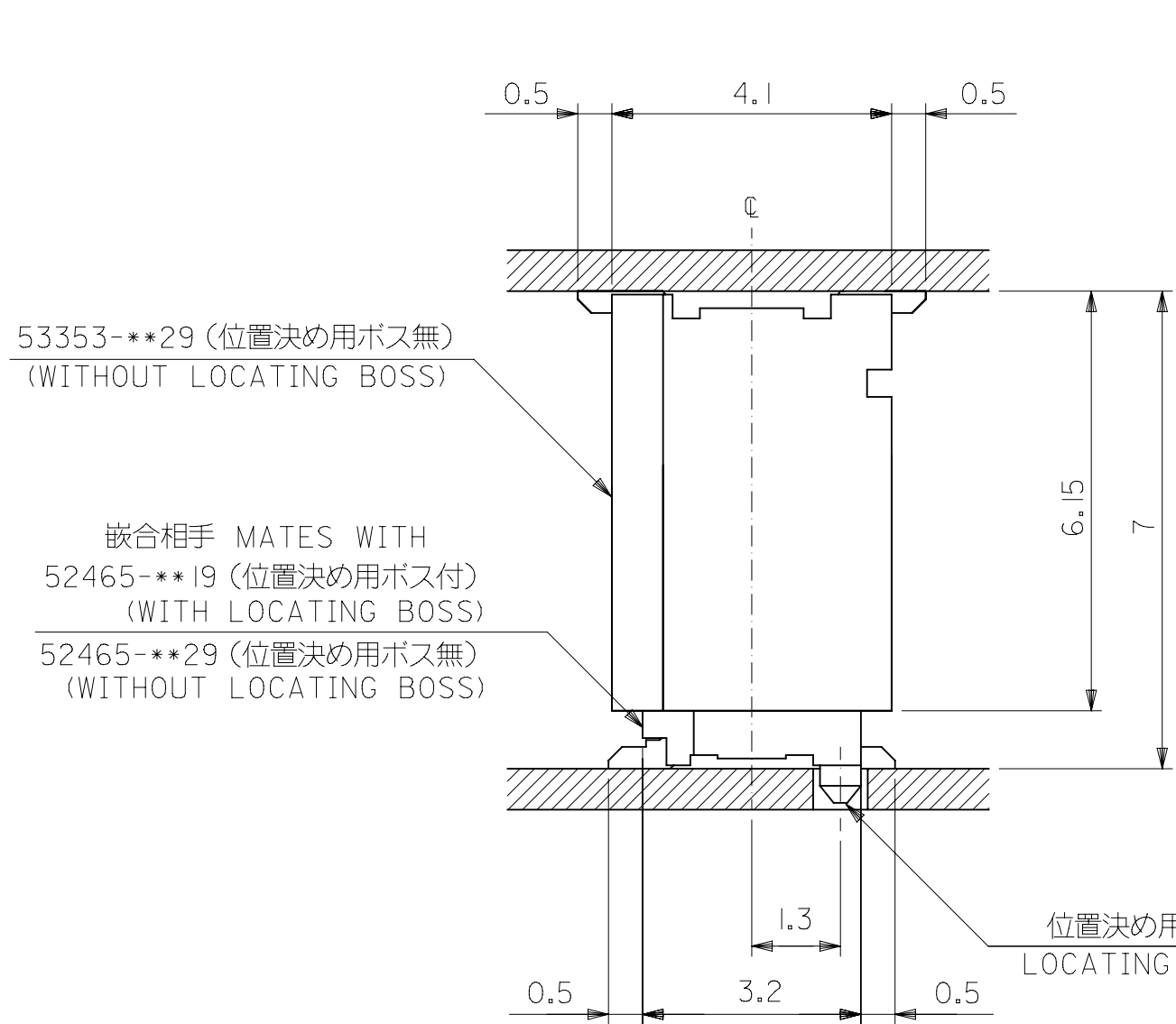
- 注記 NOTES
1. 嵌合相手: 52465, 52588 シリーズ
MATES WITH: 52465, 52588 SERIES
 2. ウェハーの ϕ から隣接するピンの ϕ 迄の位置を示す。
SHOW POSITION FROM ϕ OF WAFER TO ϕ OF ADJACENT PINS.
 3. ELV 及び RoHS 適合品。
ELV AND RoHS COMPLIANT.
 4. テール平坦度: 0.1MAX .
COPLANARITY: 0.1MAXIMUM



0.8	5.8	4.9	3.2	53353-1071	10
D	C	B	(A)	EMBOSSED PACKAGE オーダー番号 ORDER NO. CONNECTOR SERIES No. : 53353-**29	極数 CIRCUIT

THIS DRAWING CONTAINS INFORMATION THAT IS PROPRIETARY TO MOLEX ELECTRONIC TECHNOLOGIES, LLC AND SHOULD NOT BE USED WITHOUT WRITTEN PERMISSION

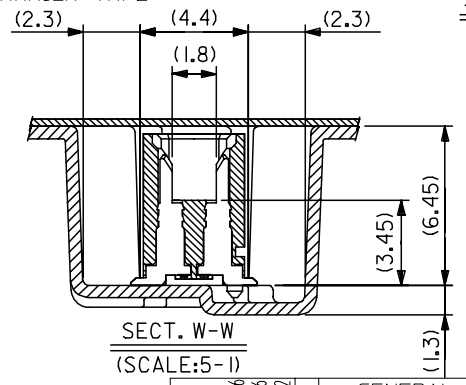
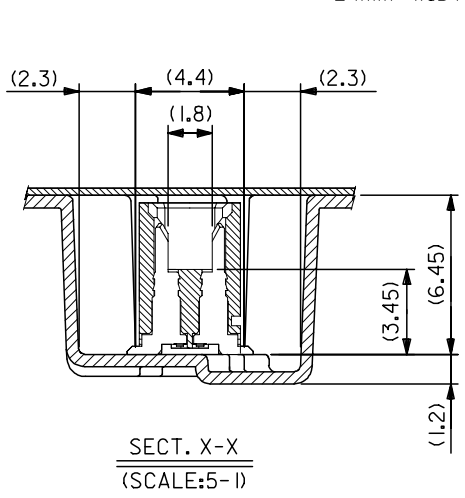
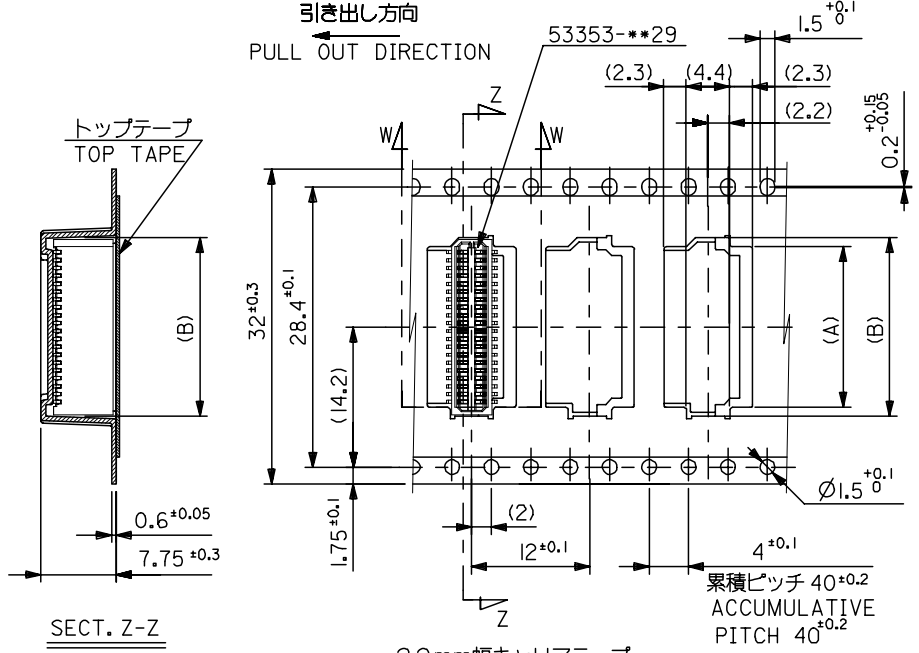
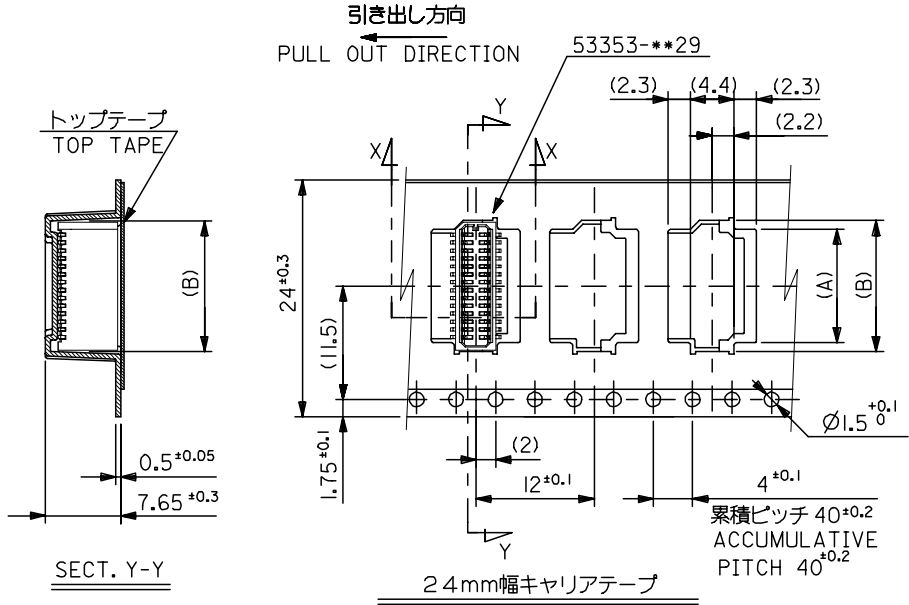
DIMENSION UNITS	SCALE	CURRENT REV DESC: REMOVED OBSOLETE PART NUMBERS AS PER PCN#510812	molex		
mm	NTS				
GENERAL TOLERANCES (UNLESS SPECIFIED)			0.8 B/B CONN. WAFER ASSY ST. SMT(WITHOUT BOSS)		
ANGULAR TOL	± 3.0°	EC NO: 728320	PRODUCT CUSTOMER DRAWING		
4 PLACES	± 0.2	DRWN: LIKITV 2022/11/10	DOCUMENT NUMBER		
3 PLACES	± 0.25	CHK'D: GGA 2022/12/12	DOC TYPE DOC PART REVISION		
2 PLACES	± 0.3	APPR: GGA 2022/12/12	SD-53353-003 PSD 001 C1		
1 PLACE	±	INITIAL REVISION:	MATERIAL NUMBER		
0 PLACES	±	DRWN: YWADA 2004/03/05	CUSTOMER		
DRAFT WHERE APPLICABLE MUST REMAIN WITHIN DIMENSIONS			THIRD ANGLE PROJECTION	DRAWING	SHEET NUMBER
				A3-SIZE	1 OF 2
			SERIES	SEE CHART	GENERAL MARKET
			53353		



嵌合状態図 (参考)
MATED DRAWING (REF.)

CONNECTOR SERIES No. : 53353-**29

THIS DRAWING CONTAINS INFORMATION THAT IS PROPRIETARY TO MOLEX ELECTRONIC TECHNOLOGIES, LLC AND SHOULD NOT BE USED WITHOUT WRITTEN PERMISSION															
DIMENSION UNITS mm		SCALE NTS		CURRENT REV DESC: REMOVED OBSOLETE PART NUMBERS AS PER PCN#510812											
GENERAL TOLERANCES (UNLESS SPECIFIED)				<p>molex</p> <p>0.8 B/B CONN. WAFER ASSY ST. SMT(WITHOUT BOSS)</p> <p>PRODUCT CUSTOMER DRAWING</p>											
ANGULAR TOL		± 3.0 °													
4 PLACES		± 0.2													
3 PLACES		± 0.25													
2 PLACES		± 0.3													
1 PLACE		±													
0 PLACES		±		EC NO: 728320 DRWN: LIKITV 2022/11/10 CHK'D: GGA 2022/12/12 APPR: GGA 2022/12/12				DOCUMENT NUMBER SD-53353-003 DOC TYPE PSD DOC PART 001 REVISION C1							
DRAFT WHERE APPLICABLE MUST REMAIN WITHIN DIMENSIONS				THIRD ANGLE PROJECTION		DRAWING A3-SIZE		SERIES 53353		MATERIAL NUMBER SEE CHART		CUSTOMER GENERAL MARKET		SHEET NUMBER 2 OF 2	



キャリアテープ幅 CARRIER TAPE WIDTH		D		C		(B)	(A)	MATERIAL NO.	極数 CIRCUIT
32	37.4	33.4	18.1	16.3	53353-4071	40			
			16.5	14.7	53353-3671	36			
24	29.4	25.4	14.1	12.3	53353-3071	30			
			13.3	11.5	53353-2871	28			
			10.9	9.1	53353-2271	22			
			10.1	8.3	53353-2071	20			
			9.3	7.5	53353-1871	18			

REVISED EC NO: J2005-2159 DRAWN: KENSUJUKI CHKD: NUKITA APPR: NUKITA 2005/01/26 2005/01/26 2005/02/02	GENERAL TOLERANCES (UNLESS SPECIFIED)		DIMENSION STYLE	SCALE	DESIGN UNITS	THIRD ANGLE PROJECTION	
	10 UNDER ±0.2		MM ONLY	---	METRIC	☉ □	
	10 OVER 30 UNDER ±0.25		DRAWN BY	DATE	TITLE		
	30 OVER ±0.3		YWADA	2004/03/04	0.8 BTB CONN WAFER ASSY ST SMT WITHOUT BOSS EMBTP PKG -LEAD FREE-		
ANGULAR ±3°		CHECKED BY	DATE	MOLEX INCORPORATED			
DRAFT WHERE APPLICABLE MUST REMAIN WITHIN DIMENSIONS		MSASAO	2004/03/04	MATERIAL NO.			
		APPROVED BY	DATE	DOCUMENT NO.			
		MSASAO	2004/03/04	SEE CHART			
		MATERIAL NO.		SHEET NO.			
		SD-53353-004		2 OF 2			
THIS DRAWING CONTAINS INFORMATION THAT IS PROPRIETARY TO MOLEX INCORPORATED AND SHOULD NOT BE USED WITHOUT WRITTEN PERMISSION							