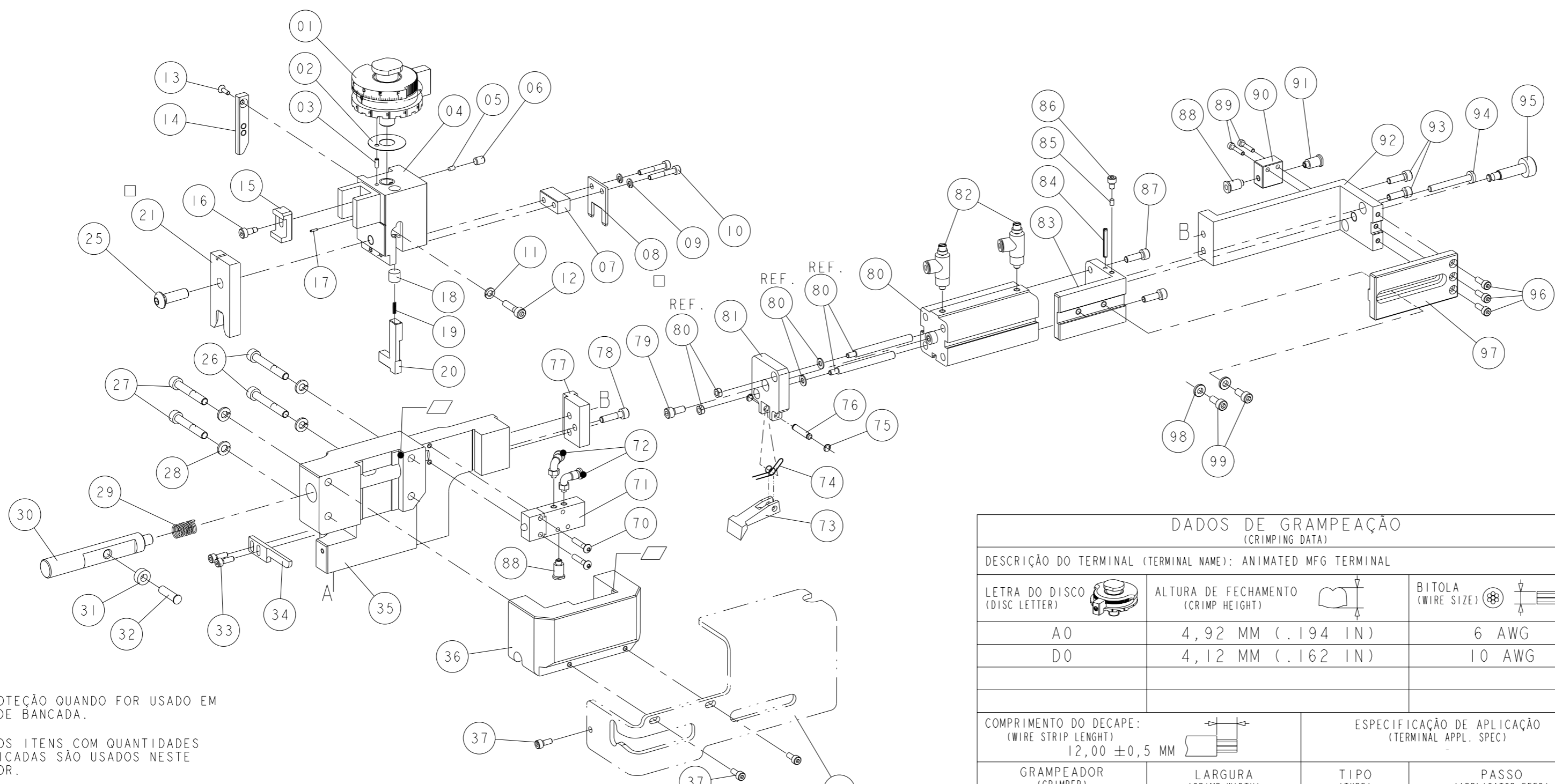


THIS DRAWING IS UNPUBLISHED. RELEASED FOR PUBLICATION 20  
 © COPYRIGHT 20 ALL RIGHTS RESERVED.

REVISIONS					
P	LTR	DESCRIPTION	DATE	DWN	APVD
B		ECO-11-017393	25AUG2011	CRM	CCL
BI		ECO-11-023428	22NOV2011	CRM	CCL

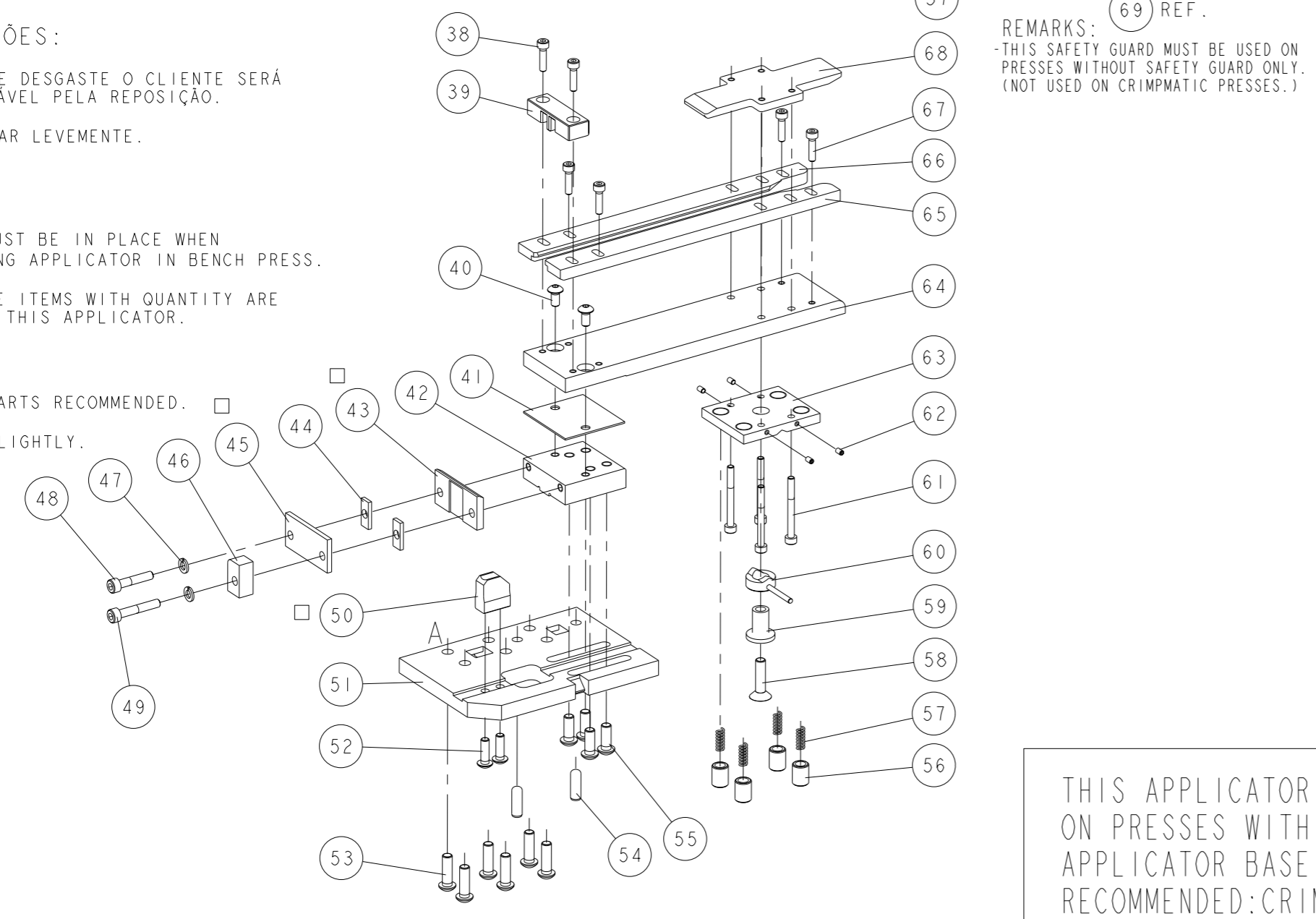


- NOTAS:**
- USAR PROTEÇÃO QUANDO FOR USADO EM PREENSA DE BANCADA.
  - APENAS OS ITENS COM QUANTIDADES ESPECIFICADAS SÃO USADOS NESTE APLICADOR.

- RECOMENDAÇÕES:**
- PEÇAS DE DESGASTE O CLIENTE SERÁ RESPONSÁVEL PELA REPOSIÇÃO.
  - ▢-ENGRAXAR LEVEMENTE.

- NOTE:**
- GUARD MUST BE IN PLACE WHEN OPERATING APPLICATOR IN BENCH PRESS.
  - ONLY THE ITEMS WITH QUANTITY ARE USED ON THIS APPLICATOR.

- KEYS:**
- SPARE PARTS RECOMMENDED.
  - ▢-GREASY LIGHTLY.



DADOS DE GRAMPEAÇÃO (CRIMPING DATA)			
DESCRIÇÃO DO TERMINAL (TERMINAL NAME): ANIMATED MFG TERMINAL			
LETRA DO DISCO (DISC LETTER)	ALTURA DE FECHAMENTO (CRIMP HEIGHT)	BITOLA (WIRE SIZE)	
A0	4,92 MM (.194 IN)	6 AWG	
D0	4,12 MM (.162 IN)	10 AWG	
COMPRIMENTO DO DECAPE: (WIRE STRIP LENGTH) 12,00 ±0,5 MM		ESPECIFICAÇÃO DE APLICAÇÃO (TERMINAL APPL. SPEC)	
GRAMPEADOR (CRIMPER)	LARGURA (CRIMP WIDTH)	TIPO (TYPE)	PASSO (APPLICATOR FEED)
CONDUTOR (WIRE)	8,38 MM (.330 IN)	F	37,80 MM
ISOLANTE (INSULATION)	-	-	-
DIAM. DO ISOLANTE (INSULATION RANGE)	PARA BITOLAS (WIRE RANGE) 10 - 6 AWG	GABARITO DE MONT. (GAUGE)	
PARA APLICAR TERMINAL: (TERMINALS APPLIED)			
TERMINAL	SELO (SEAL)	TERMINAL	SELO (SEAL)
306506 (WIRE SHOP)	-	-	-

**REMARKS:**  
 -THIS SAFETY GUARD MUST BE USED ON PRESSES WITHOUT SAFETY GUARD ONLY. (NOT USED ON CRIMPATIC PRESSES.)

2	1-18023-9	PARAF. ALL (M5X12) PLACA DE REG.	SCREW, SOCKET HEAD	99
2	624445-2	ARRUELA ESPECIAL	SPECIAL WASHER	98
1	2076138-1	PLACA DE REGULAGEM DO CILINDRO	PLATE CYLINDER ADJUSTMENT	97
3	1-18023-2	PARAF. ALL (M4X12) REG. DO CILINDRO	SCREW, SOCKET HEAD	96
1	624368-2	PARAFUSO DE REGUL. DO CILINDRO	SCREW, CYLINDER ADJUSTMENT	95
1	5-519003-5	PARAF. DE REGUL. DO STOP DO CILINDRO	SCREW, SLOTTED PAN HEAD	94
2	2-18023-0	PARAF. ALL (M5X16) CILINDRO	SCREW, SOCKET HEAD	93
1	2076136-2	SUPOORTE DO CONJ. DE ALIMENTAÇÃO	SUPPORT, SET FEEDING	92
1	3-197574-9	CONEXÃO RETA (OSM-M5-6) FESTO	COUPLING	91
1	624366-2	SUPOORTE DO ENGATE	FAST COUPLER SUPPORT	90
2	18023-6	PARAF. ALL (M3X16) SUP. DO ENGATE	SCREW, SOCKET HEAD	89
2	9-197017-3	CONEXÃO RETA (OSM-M5-4-1) FESTO	COUPLING	88
2	2-18023-0	PARAF. ALL (M5X16) CILINDRO	SCREW, SOCKET HEAD	87
1	18023-9	PARAF. ALL (M4X6) STOP DO CILINDRO	SCREW, SOCKET HEAD	86
1	690191-1	PLUG DE NYLON	PLUG, NYLON	85
1	5-21028-9	PINO ELÁSTICO (DIA 3.2X25.4) SUP.	PIN, SLOTTED SPRING	84

1	2076137-1	SUPOORTE DO CILINDRO	CYLINDER SUPPORT	83
2	9-197017-1	REGULADORA DE FLUXO (GRLA-M5-OS-4B) FESTO	FLOW CONTROL	82
1	2076139-1	SUPOORTE DO DEDO	HOLDER, FINGER FEED	81
1	2076140-1	CILINDRO DUPLA AÇÃO (ADVUL-25-50-PA) FESTO	CYLINDER	80
1	1-18023-9	PARAF. ALL (M5X12) CILINDRO	SCREW, SOCKET HEAD	79
		PARAF. ALL (M5X20) ESPAÇADOR	SCREW, SOCKET HEAD	78
		ESPAÇADOR DO CONJUNTO DE ALIMENTAÇÃO	SPACER, SET FEEDING	77
1	240624-1	PINO DO DEDO	FEED FINGER PIN	76
2	21045-3	ANEL ELÁSTICO (DIA 4.75) DEDO	RING RETAINING	75
1	240638-1	MOLA DO DEDO	SPRING, FEED FINGER	74
1	624871-1	DEDO DE AVANÇO	FEED FINGER	73
2	9-197017-2	CONEXÃO EM "L" OSML-M5-4 FESTO	COUPLING 90°	72
1	624424-1	VÁLVULA 5/2 VIAS 105.52.11.1 IBERMAC	PNEUMATIC VALVE (5/2 WAYS)	71
2	1-18023-4	PARAF. ALL (M4X20) VÁLVULA	SCREW, SOCKET HEAD	70
REF.		PROTEÇÃO	APPLICATOR GUARD	69
1	2076077-1	FREIO	DRAG, TERMINAL	68
2	1-18023-3	PARAF. ALL (M4X16) GUIAS	SCREW, SOCKET HEAD	67
1	2076079-2	GUIA TRASEIRA	REAR STRIP GUIDE	66
1	2076078-2	GUIA DIANTEIRA	FRONT STRIP GUIDE	65
1	2076075-2	PLACA GUIA DA FITA	STRIP GUIDE PLATE	64
1	2076076-1	SUPOORTE DO FREIO	SUPPORT, DRAG	63
4	18032-1	PARAF. S/ CAB. (M3X5) FREIO	SCREW, SOCKET, FLAT POINT	62
4	1-18023-7	PARAF. ALL (M4X40) FREIO	SCREW, SOCKET HEAD	61
1	624534-2	LIBERADOR DO FREIO	LEVER, DRAG RELEASE	60
1	624535-2	BLOCO ESPAÇADOR DO FREIO	BLOCK, DRAG SPACER	59
1	3-985575-4	PARAF. CAB. CHAN. (M5X25) LIB. DO FREIO	SCREW, CAP, FLAT HEAD	58
4	2-22280-9	MOLA DE COMPRESSÃO	SPRING, COMPRESSION	57
4	624536-1	PARAFUSO ESPECIAL	SPECIAL SCREW	56
4	1-18024-9	PARAF. CAB. BOL. (M6X16) BLOCO GUIA	SCREW, BUTTON, SKT HEAD	55
2	2-21030-2	PINO DE AJUSTE (6,35 DIA.X19)	PIN DOWEL	54
6	2-18024-0	PARAF. CAB. BOL. (M6X20) BASE	SCREW, BUTTON, SKT HEAD	53
2	1-18024-3	PARAF. CAB. BOL. (M5X16) BIGORNA	SCREW, BUTTON, SKT HEAD	52
1	2076070-1	BASE	BASE PLATE	51
1	2076089-3	BIGORNA	ANVIL	50
1	2-18023-3	PARAF. ALL (M5X30) PLACA DE CORTE	SCREW, SOCKET HEAD	49
1	2-18023-2	PARAF. ALL (M5X25) PLACA DE CORTE	SCREW, SOCKET HEAD	48
2	18025-3	ARRUELA DE PRESSÃO (M5)	WASHER, SPRING LOCK	47
		ESPAÇADOR DO SUJEITADOR	SPACER, HOLD DOWN	46
1	2076087-3	PLACA DE CORTE DIANTEIRA	FRONT SHEAR PLATE	45
2	624262-8	ESPAÇADOR DA PLACA DE CORTE	SPACER, SHEAR PLATE	44
1	2076086-5	PLACA DE CORTE TRASEIRA	REAR SHEAR PLATE	43
1	2076074-1	BLOCO DA PLACA GUIA	BASE BLOCK	42
		ESPAÇADOR DA PLACA GUIA	SPACER, BASE BLOCK	41
2	1-18024-1	PARAF. CAB. BOL. (M5X10) PL. GUIA	SCREW, BUTTON, SKT HEAD	40
1	2076094-1	PLACA DE RETENÇÃO	PLATE, HOLD DOWN	39
2	1-18023-3	PARAF. ALL (M4X16) PL. RETENÇÃO	SCREW, SOCKET HEAD	38
REF.		PARAF. ALL (M4X10) PROTEÇÃO	SCREW, SOCKET HEAD	37
1	2076072-1	CAPA DO BATENTE	CAP, RAM	36
1	2076071-1	ALOJAMENTO	HOUSING	35
1	2076081-1	EXTRATOR	STRIPPER	34
2	1-18023-2	PARAF. ALL (M4X12) EXTRATOR	SCREW, SOCKET HEAD	33
1	1707204-1	PINO ACIONADOR DO CAME	PIN, ROLLER CAM	32
1	240658-1	ACIONADOR DO CAME	ROLLER CAM	31
1	2076080-1	EIXO ACIONADOR DO CAME	ROD FEED	30
1	1-22284-1	MOLA DE COMPRESSÃO	SPRING, COMPRESSION	29
4	18025-4	ARRUELA DE PRESSÃO (M6)	WASHER, SPRING LOCK	28
2	3-18023-2	PARAF. ALL (M6X40) ALOJAMENTO	SCREW, SOCKET HEAD	27
2	8-18023-7	PARAF. ALL (M6X45) ALOJAMENTO	SCREW, SOCKET HEAD	26
1	2-18024-6	PARAF. CAB. BOL. (M8X25) GRAMPEADORES	SCREW, BUTTON, SKT HEAD	25
		ESPAÇADOR TUBULAR	BLOCK, CRIMPER SPACER	24
		GRAMPEADOR DO ISOLANTE	INSULATION CRIMPER	23
		ESPAÇADOR DE GRAMPEAÇÃO	CRIMPER SPACER	22
1	2076090-2	GRAMPEADOR DO CONDUTOR	WIRE CRIMPER	21
		SUJEITADOR	HOLD DOWN	20
		MOLA DO SUJEITADOR	SPRING, COMPRESSION	19
		ESPAÇADOR DA MOLA	SPACER, SPRING	18
1	21028-2	PINO ELÁSTICO (1,6 DIA.X6,5)	PIN, SLOTTED SPRING	17
		PARAF. DO BLOCO DO BATENTE	SCREW, SOCKET, SHOULDER HEAD	16
		BLOCO DO BATENTE	BLOCK, INSULATION ADJUSTMENT	15
		CAME	CAM	14
1	1707007-2	CAME	CAM	14
1	985575-3	PARAF. CAB. CHANFRADA (M3X10)	SCREW, CAP, FLAT HEAD	13
1	2-18023-1	PARAF. ALL (M5X20) CAME	SCREW, SOCKET HEAD	12
1	18025-3	ARRUELA DE PRESSÃO (M5)	WASHER, SPRING LOCK	11
2	1-18023-4	PARAF. ALL (M4X20) FACA	SCREW, SOCKET HEAD	10
2	18025-2	ARRUELA DE PRESSÃO (M4)	WASHER, SPRING LOCK	09
1	2076473-1	FACA DE CORTE	SHEAR BLADE	08
1	2076083-3	ESPAÇADOR DA FACA DE CORTE	SPACER, SHEAR BLADE	07
1	18032-8	PARAF. S/CAB. (M6X8) BATENTE	SCREW, SOCKET, FLAT POINT	06
1	690191-1	PLUG DE NYLON	PLUG, NYLON	05
1	2076073-1	BATENTE	APPLICATOR RAM	04
1	1-992946-4	PINO DE AJUSTE 3,0 DIA.X8	PIN DOWEL	03
1	1707150-3	ARRUELA LISA	WASHER, FLAT	02
1	1707670-1	DISCO DE AJUSTE FINO	WIRE DISC, FINE ADJUSTMENT	01

THIS APPLICATOR MUST BE USED ON PRESSES WITH CONVENTIONAL APPLICATOR BASE PLATE. RECOMMENDED: CRIMPATIC PRESS-971

THIS DRAWING IS A CONTROLLED DOCUMENT.

DIMENSIONS: mm

TOLERANCES UNLESS OTHERWISE SPECIFIED:

0 PLC	±
1 PLC	±
2 PLC	±
3 PLC	±
4 PLC	±
ANGLES	±
FINISH	±

MATERIAL: -

APVD: C. LIMA

PRODUCT SPEC: -

APPLICATION SPEC: -

WEIGHT: -

CUSTOMER DRAWING

28MAR2011  
 DWN: C. MENEZES  
 CHK: P. BARLETTA  
 28MAR2011  
 APVD: C. LIMA

STE TE Connectivity

MID SIZE WIRE APPLICATOR (END FEED)

SIZE: A200779 CAGE CODE: C-1893316-1 DRAWING NO: 1893316-1 RESTRICTED TO: -

SCALE: 3:10 SHEET 1 OF 1 REV: BI