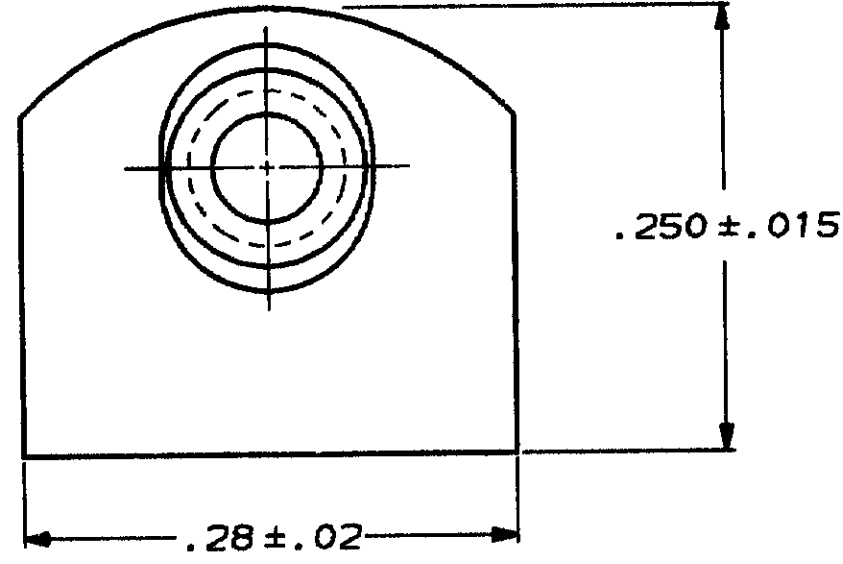
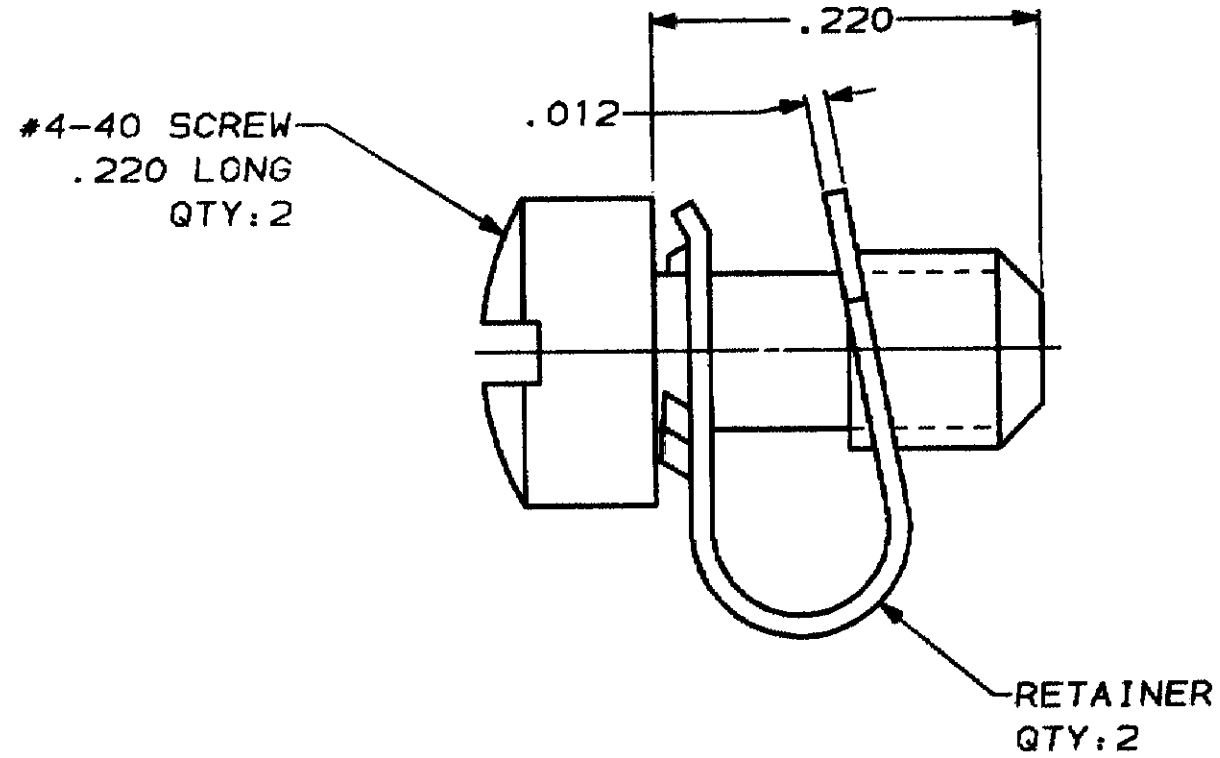


THIS DRAWING IS UNPUBLISHED. RELEASED FOR PUBLICATION .19
 © COPYRIGHT 19 BY AMP INCORPORATED. ALL INTERNATIONAL RIGHTS RESERVED.

MOD 8 LOC BD DIST 39

P		F		REVISIONS			DATE	APPD
ZONE	LTR	DESCRIPTION						
	D	REDRAWN ON CAD			4-17-80	-		
✓	E	REV PER ECN BD4276			12/07/80	-		



- 1. PARTS PACKAGED UNASSEMBLED.
- ② ZINC PLATED PER ASTM B633, TYPE II, CLASS SCI, YELLOW CHROMATE.
- ③ STAINLESS STEEL PER ASTM A666.
- ④ PARTS PACKED AS A UNIT KIT.
- ⑤ PARTS INDIVIDUALLY BULK PACKED & SHIPPED AS A UNIT PACKAGE.

⑤	745647-2
④	745647-1
PACKAGING	PART NUMBER

DO NOT SCALE PRINT. UNLESS SPECIFIED DIMENSIONS IN INCHES TOLERANCES ON: 2 PLC DEC ± .010 3 PLC DEC ± .010 ANGLES ± .010	DR 4-17-80 J. GALLUCCI BS	AMP INCORPORATED Harrisburg, Pa. 17105	
	CHK 8-15-80 M.S. LEWIS		
MATERIAL SCREWS: STEEL RETAINERS: ③	APPD 7-11-80 J.E. WESTMAN	KIT, SCREW RETAINER AMPLIMITE™ HDE	
FINISH SCREWS: ②	APPD 7-18-80 J. ASSINI	SIZE B	PSGN NO 00779
	PRODUCT SPEC -	DRAWING NO 745647	
	APPLICATION SPEC -	SCALE 10:1	SHEET 1 OF 1
	WEIGHT -		

CUSTOMER DRAWING