

TPS61045EVM-231

Adjustable LCD Boost Converter Evaluation Module

User's Guide

IMPORTANT NOTICE

Texas Instruments Incorporated and its subsidiaries (TI) reserve the right to make corrections, modifications, enhancements, improvements, and other changes to its products and services at any time and to discontinue any product or service without notice. Customers should obtain the latest relevant information before placing orders and should verify that such information is current and complete. All products are sold subject to TI's terms and conditions of sale supplied at the time of order acknowledgment.

TI warrants performance of its hardware products to the specifications applicable at the time of sale in accordance with TI's standard warranty. Testing and other quality control techniques are used to the extent TI deems necessary to support this warranty. Except where mandated by government requirements, testing of all parameters of each product is not necessarily performed.

TI assumes no liability for applications assistance or customer product design. Customers are responsible for their products and applications using TI components. To minimize the risks associated with customer products and applications, customers should provide adequate design and operating safeguards.

TI does not warrant or represent that any license, either express or implied, is granted under any TI patent right, copyright, mask work right, or other TI intellectual property right relating to any combination, machine, or process in which TI products or services are used. Information published by TI regarding third-party products or services does not constitute a license from TI to use such products or services or a warranty or endorsement thereof. Use of such information may require a license from a third party under the patents or other intellectual property of the third party, or a license from TI under the patents or other intellectual property of TI.

Reproduction of information in TI data books or data sheets is permissible only if reproduction is without alteration and is accompanied by all associated warranties, conditions, limitations, and notices. Reproduction of this information with alteration is an unfair and deceptive business practice. TI is not responsible or liable for such altered documentation.

Resale of TI products or services with statements different from or beyond the parameters stated by TI for that product or service voids all express and any implied warranties for the associated TI product or service and is an unfair and deceptive business practice. TI is not responsible or liable for any such statements.

Mailing Address:

Texas Instruments
Post Office Box 655303
Dallas, Texas 75265

EVM IMPORTANT NOTICE

Texas Instruments (TI) provides the enclosed product(s) under the following conditions:

This evaluation kit being sold by TI is intended for use for **ENGINEERING DEVELOPMENT OR EVALUATION PURPOSES ONLY** and is not considered by TI to be fit for commercial use. As such, the goods being provided may not be complete in terms of required design-, marketing-, and/or manufacturing-related protective considerations, including product safety measures typically found in the end product incorporating the goods. As a prototype, this product does not fall within the scope of the European Union directive on electromagnetic compatibility and therefore may not meet the technical requirements of the directive.

Should this evaluation kit not meet the specifications indicated in the EVM User's Guide, the kit may be returned within 30 days from the date of delivery for a full refund. **THE FOREGOING WARRANTY IS THE EXCLUSIVE WARRANTY MADE BY SELLER TO BUYER AND IS IN LIEU OF ALL OTHER WARRANTIES, EXPRESSED, IMPLIED, OR STATUTORY, INCLUDING ANY WARRANTY OF MERCHANTABILITY OR FITNESS FOR ANY PARTICULAR PURPOSE.**

The user assumes all responsibility and liability for proper and safe handling of the goods. Further, the user indemnifies TI from all claims arising from the handling or use of the goods. Please be aware that the products received may not be regulatory compliant or agency certified (FCC, UL, CE, etc.). Due to the open construction of the product, it is the user's responsibility to take any and all appropriate precautions with regard to electrostatic discharge.

EXCEPT TO THE EXTENT OF THE INDEMNITY SET FORTH ABOVE, NEITHER PARTY SHALL BE LIABLE TO THE OTHER FOR ANY INDIRECT, SPECIAL, INCIDENTAL, OR CONSEQUENTIAL DAMAGES.

TI currently deals with a variety of customers for products, and therefore our arrangement with the user **is not exclusive**.

TI assumes **no liability for applications assistance, customer product design, software performance, or infringement of patents or services described herein**.

Please read the EVM User's Guide and, specifically, the EVM Warnings and Restrictions notice in the EVM User's Guide prior to handling the product. This notice contains important safety information about temperatures and voltages. For further safety concerns, please contact the TI application engineer.

Persons handling the product must have electronics training and observe good laboratory practice standards.

No license is granted under any patent right or other intellectual property right of TI covering or relating to any machine, process, or combination in which such TI products or services might be or are used.

Mailing Address:

Texas Instruments
Post Office Box 655303
Dallas, Texas 75265

EVM WARNINGS AND RESTRICTIONS

It is important to operate this EVM within the input voltage range of 1.8 V – 6 V, and the output voltage range of 16.20 V and 17.54 V. The input voltage must never exceed 7 V.

Exceeding the specified input range may cause unexpected operation and/or irreversible damage to the EVM. If there are questions concerning the input range, please contact a TI field representative prior to connecting the input power.

Applying loads outside of the specified output range may result in unintended operation and/or possible permanent damage to the EVM. Please consult the EVM User's Guide prior to connecting any load to the EVM output. If there is uncertainty as to the load specification, please contact a TI field representative.

During normal operation, some circuit components may have case temperatures greater than 60°C. The EVM is designed to operate properly with certain components above 60°C as long as the input and output ranges are maintained. These components include but are not limited to linear regulators, switching transistors, pass transistors, and current sense resistors. These types of devices can be identified using the EVM schematic located in the EVM User's Guide. When placing measurement probes near these devices during operation, please be aware that these devices may be very warm to the touch.

Mailing Address:

Texas Instruments
Post Office Box 655303
Dallas, Texas 75265

Read This First

About This Manual

This user's guide describes the characteristics, operation, and use of the TPS61045EVM-231 adjustable LDC boost converter evaluation module (EVM). This EVM is a Texas Instruments high-efficiency, digitally adjustable, boost converter that is configured to deliver an 18 V LCD bias supply. This user's guide includes a schematic diagram and bill of materials (BOM).

How to Use This Manual

This document contains the following chapters:

- Chapter 1—Introduction
- Chapter 2—Setup
- Chapter 3—Board Layout
- Chapter 4—Schematic and Bill of Materials

Related Documentation From Texas Instruments

TPS61045 data sheet (SLVS440)

FCC Warning

This equipment is intended for use in a laboratory test environment only. It generates, uses, and can radiate radio frequency energy and has not been tested for compliance with the limits of computing devices pursuant to subpart J of part 15 of FCC rules, which are designed to provide reasonable protection against radio frequency interference. Operation of this equipment in other environments may cause interference with radio communications, in which case the user at his own expense will be required to take whatever measures may be required to correct this interference.

If You Need Assistance. . .

Contact your local TI sales representative.



Contents

1	Introduction	1-1
2	Setup	2-1
2.1	J1-VIN	2-2
2.2	J2-GND	2-2
2.3	J3-VOUT	2-2
2.4	J4-GND	2-2
2.5	JP1-CTRL	2-2
2.6	S1-UP	2-2
2.7	S2-Down	2-2
2.8	Setup	2-2
2.9	Operation	2-3
3	Board Layout	3-1
3.1	Layout	3-2
4	Schematic and Bill of Materials	4-1
4.1	Schematic	4-2
4.2	Bill of Materials	4-3

Figures

3-1	Assembly Layer	3-2
3-2	Top Layer Routing	3-2
3-3	Bottom Layer Routing	3-3
4-1	TPS61045EVM-231 Schematic	4-2

Tables

4-1	TPS61045EVM-231 Bill of Materials	4-3
-----	---	-----

Introduction

The Texas Instruments TPS61045EVM evaluation module (EVM) helps designers evaluate the operation and performance of this device. The TPS61045EVM uses the TPS61045 boost converter to provide a high efficiency, digitally adjustable, 18 V output for LCD bias supplies. This EVM may be modified to supply higher or lower output voltages. Refer to the data sheet for more information on adjusting the output voltage. Information about output voltage and current ratings of TPS61045 can also be found in the data sheet, SLVS440.

In order to facilitate ease of testing and evaluation of this circuit, the EVM contains support circuitry that allows the user to manually adjust the output voltage. This adjustment is accomplished by using one of two switches: one for stepping the voltage up, and one for stepping the voltage down. The supply may also be adjusted using a digital control signal.

Although the TPS61045 operates over an input range of 1.8 V to 6 V, the EVM contains two parts, a 74LS123 (dual one-shot) and a 74LVC1G02 (single NOR gate) that have recommended input operating ranges of 2 V to 5.5 V and 1.65 V to 5.5 V, respectively. It should be noted that these two parts and their associated circuitry are only support circuitry, and included solely to aid in the evaluation of the TPS61045. The support circuitry debounces two push-button switches and provides a digital signal that steps the power supply voltage either up or down. This support circuitry is not necessary for the proper operation of the TPS61045. For evaluation purposes, the EVM has been operated and tested over a 1.8-V to 6-V input range. This voltage range is within the absolute maximum input range of the support circuitry. Users are cautioned to evaluate their specific operating conditions and choose components with the appropriate voltage ratings before designing this support circuitry into a final product.



Setup

This chapter describes the jumpers, buttons, and connectors on the EVM as well as how to properly connect, set up, and use the TPS61045EVM-231.

Topic	Page
2.1 J1-VIN	2-2
2.2 J2-GND	2-2
2.3 J3-VOUT	2-2
2.4 J4-GND	2-2
2.5 JP1-CTRL	2-2
2.6 S1-UP	2-2
2.7 S2-DOWN	2-2
2.8 Setup	2-2
2.9 Operation	2-3

2.1 J1-VIN

This is the positive connection to the input power supply. The leads to the input supply should be twisted and kept as short as possible.

2.2 J2-GND

This is the return connection for the input power supply.

2.3 J3-VOUT

This is the positive connection from the output of the power supply. Connect this pin to the positive input of the load.

2.4 J4-GND

This is the negative connection from the output of the power supply. Connect this pin to the negative input of the load.

2.5 JP1-CTRL

This jumper has several purposes. To enable the supply, connect the shorting jumper between JP1-1 and JP1-2 (shorting the ON and CTRL pins). The supply can also be enabled by completely removing the shorting jumper. To disable the supply, connect the shorting jumper between JP-2 and JP-3 (shorting the CTRL and OFF pins). An external digital control signal from a processor or microcontroller can be used to adjust the output voltage of the supply by connecting this signal to JP1-2 (CTRL).

2.6 S1-UP

This push-button switch allows the user to step the output voltage up one voltage increment each time the button is pushed. This signal is debounced and conditioned to provide a 12 μ s negative going signal to the CTRL pin of the TPS61045. Each time the UP button is pushed, the output voltage increases 43.2 mV.

2.7 S2-Down

This push-button switch allows the user to step the output voltage down one voltage increment each time the button is pushed. This signal is debounced and conditioned to provide a 210 μ s negative going signal to the CTRL pin of the TPS61045. Each time the DOWN button is pushed, the output voltage decreases 43.2 mV.

2.8 Setup

Connect an input supply between J1 and J2. Connect a load between J3 and J4.

2.9 Operation

The EVM has been optimized to provide 17.54 V at 10 mA from a Li-Ion battery input voltage range (3 V to 4.2 V). Higher or lower output voltages and currents can be obtained by following the design guidelines provided in the TPS61045 data sheet.

The EVM operates with an input voltage between 1.8 V and 6 V. The user must ensure that the input voltage never exceeds 7 V. Applying an input voltage greater than 7 V may permanently damage the device.

To enable the supply, either remove the jumper on JP1 or move it so that the CTRL pin is connected to the ON pin.

The preset output voltage is 17.54 V, which is centered in the middle of the 64 step programming range. Pressing the UP or DOWN switch moves the output voltage one incremental voltage step of 43.2 mV. The full programmable voltage range of the EVM is 16.20 V to 18.93 V.



Board Layout



This chapter provides the TPS61045EVM-231 board layout and illustrations.

Topic	Page
3.1 Layout	3-2

3.1 Layout

Board layout is critical for all switch mode power supplies. Figure 3–1, Figure 3–2, and Figure 3–3 show the board layout for the TPS61045EVM-231 PWB. The nodes with a high switching frequency are short and are isolated from the noise sensitive feedback circuitry. Careful attention has been given to the routing of high frequency current loops. Refer to the data sheet for specific layout guidelines.

Figure 3–1. Assembly Layer

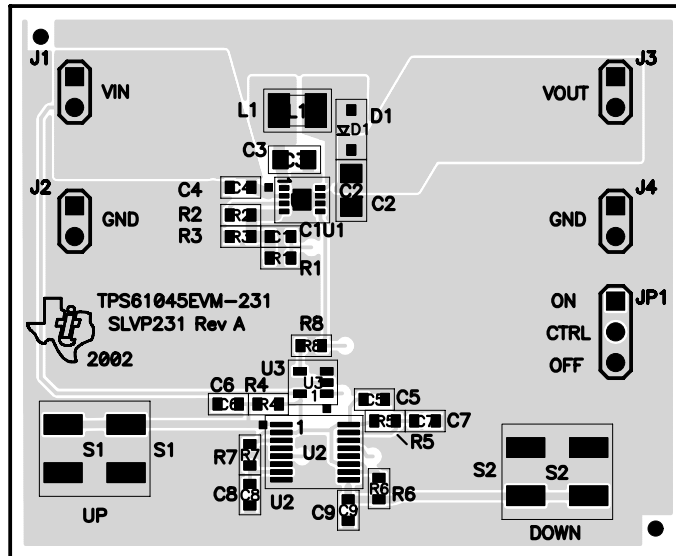


Figure 3–2. Top Layer Routing

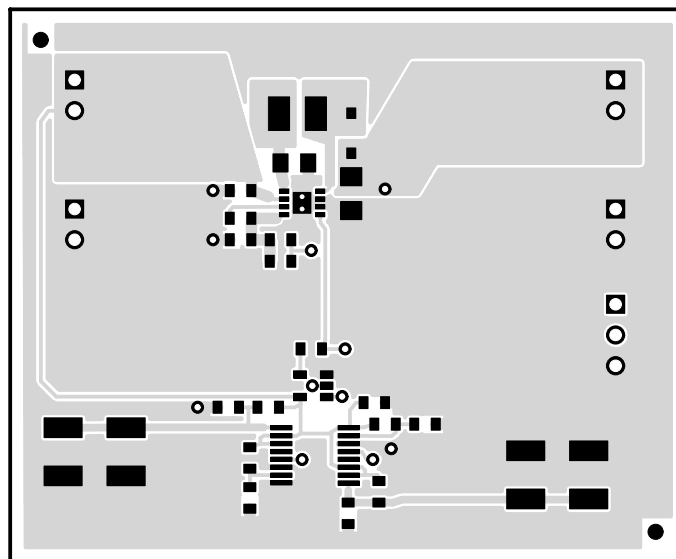
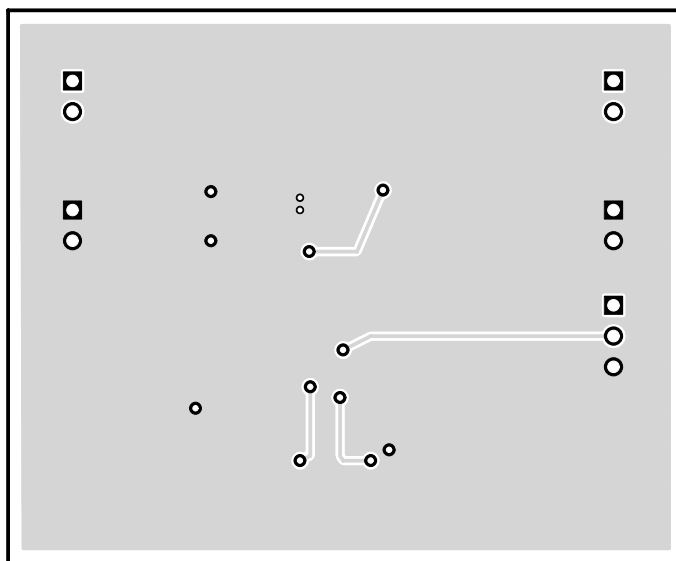


Figure 3–3. Bottom Layer Routing



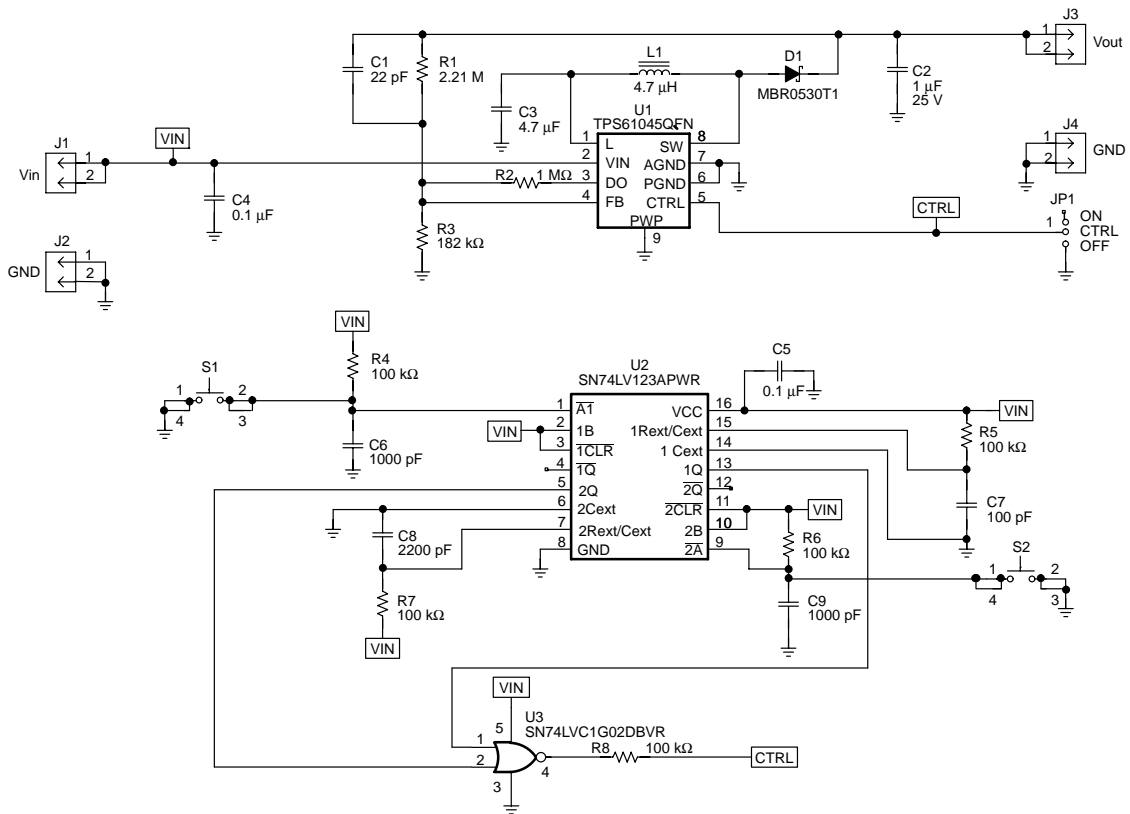
Schematic and Bill of Materials

This chapter provides the TPS61045EVM-231 schematic and bill of materials.

Topic	Page
4.1 Schematic	4-2
4.2 Bill of Materials	4-3

4.1 Schematic

Figure 4–1. TPS61045EVM-231 Schematic



4.2 Bill of Materials

Table 4–1. TPS61045EVM-231 Bill of Materials

QTY	Ref Des	Description	Size	MFR	Part Number
1	C1	Capacitor, ceramic, 22 pF, 50 V, C0G, 5%	603	Murata	GRM1885C1H220JZ01
1	C2	Capacitor, ceramic, 1.0 μ F, 25 V, X7R, 20%	1206	Murata	GRM31MR71E105KC01
1	C3	Capacitor, ceramic, 4.7 μ F, 6.3 V, X5R, 10%	805	Murata	GRM219R60J475KE11
2	C4, C5	Capacitor, ceramic, 0.1 μ F, 16 V, X7R, 20%	603	Murata	GRM188R71C104KA01
2	C6, C9	Capacitor, ceramic, 1000 pF, 50 V, X7R, 20%	603	Murata	GRM188R71H102KA01
1	C7	Capacitor, ceramic, 100 pF, 50 V, C0G, 5%	603	Murata	GRM1885C1H101JA01
1	C8	Capacitor, ceramic, 2200 pF, 50 V, X7R, 20%	603	Murata	GRM188R71H222KA01
1	D1	Diode Schottky, 0.5 A, 30 V	SOD-123	On Semiconductor	MBR0530T1
4	J1–J4	Header, 2 pin, 100 mil spacing, (36-pin strip)	0.100 \times 2	Sullins	PTC36SAAN
1	JP1	Header, 3 pin, 100 mil spacing, (36-pin strip)	0.100 \times 3	Sullins	PTC36SAAN
1	L1	Inductor, SMT, 4.7 μ H, 650 mA, 150 m Ω	0.120 \times 0.100	Murata	LQH32CN4R7M33
1	R1	Resistor, chip, 2.21 M Ω , 1/16 W, 1%	603	Std	Std
1	R2	Resistor, chip, 1.00 M Ω , 1/16 W, 1%	603	Std	Std
1	R3	Resistor, chip, 182 k Ω , 1/16 W, 1%	603	Std	Std
5	R4–R8	Resistor, chip, 100 k Ω , 1/16 W, 1%	603	Std	Std
2	S1, S2	Switch, SPST, PB momentary, sealed washable	0.245 \times 0.251	C & K	KT11P2JM
1	U1	IC, adjustable LCD boost converter	QFN-8P	TI	TPS61045QFN
1	U2	IC, dual retriggerable monostable multivibrator with Schmitt-Trigger	PW16	TI	SN74LV123APWR
1	U3	IC, single 2-input positive-NOR gate	SOT23-5	TI	SN74LVC1G02DBVR
1	–	PCB, 2.2 in \times 1.8 in \times 0.62 in		Any	SLVP231
1	–	Shunt, 100 mil, black	0.100	3M	929950-00

