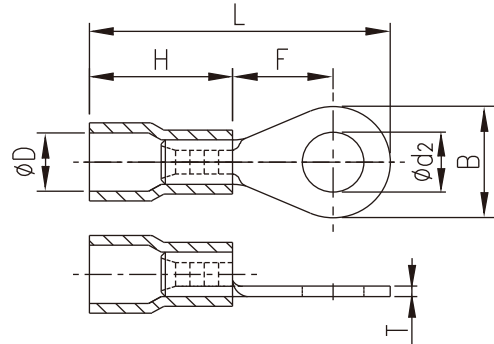


Ring terminal with insulation



Tools > Ferrule > Ring terminal with insulation



Specification

Part No.	Wire Range		Dimension							Color	Package	
	AWG	mm ²	Ød2	B	F	L	H	ØD	T		pcs/bag	bags/box
DNH1-132	22~16	0.5~1.5	3.2	5.5	4.75	17	9.5	4	0.75	Red	1000	1
DNH1-137			3.7	5.5	4.75	17						
DNH1-137B			3.7	6.6	6.3	19.1						
DNH1-143			4.3	6.6	6.3	19.1						
DNH1-143B			4.3	8	7	20.5						
DNH1-153			5.3	8	7	20.5						
DNH1-164			6.4	11.6	9.7	25						
DNH1-184			8.4	11.6	9.7	25						
DNH1-110			10.5	14	12	28.5						
DNH1-232			16~14	1.5~2.5	3.2	6.4						
DNH1-237	3.7	6.4			4.3	17.5						
DNH1-237B	3.7	8.5			7.75	22						
DNH1-243	4.3	6.6			6.3	19.6						
DNH1-243B	4.3	8.5			7.75	22						
DNH1-253	5.3	9.5			7.25	22						
DNH1-264	6.4	12			11	27						
DNH1-284	8.4	12			11	27						
DNH1-210	10.5	14			12	29						
DNH1-537	12~10	4~6			3.7	7.2	5.9	22.5	13	6.8	1	Yellow
DNH1-543			4.3	9.5	8.25	26						
DNH1-553			5.3	9.5	8.25	26						
DNH1-564			6.4	12	10.5	29.5						
DNH1-584			8.4	15	13.5	34						
DNH1-510			10.5	15	13.5	34						