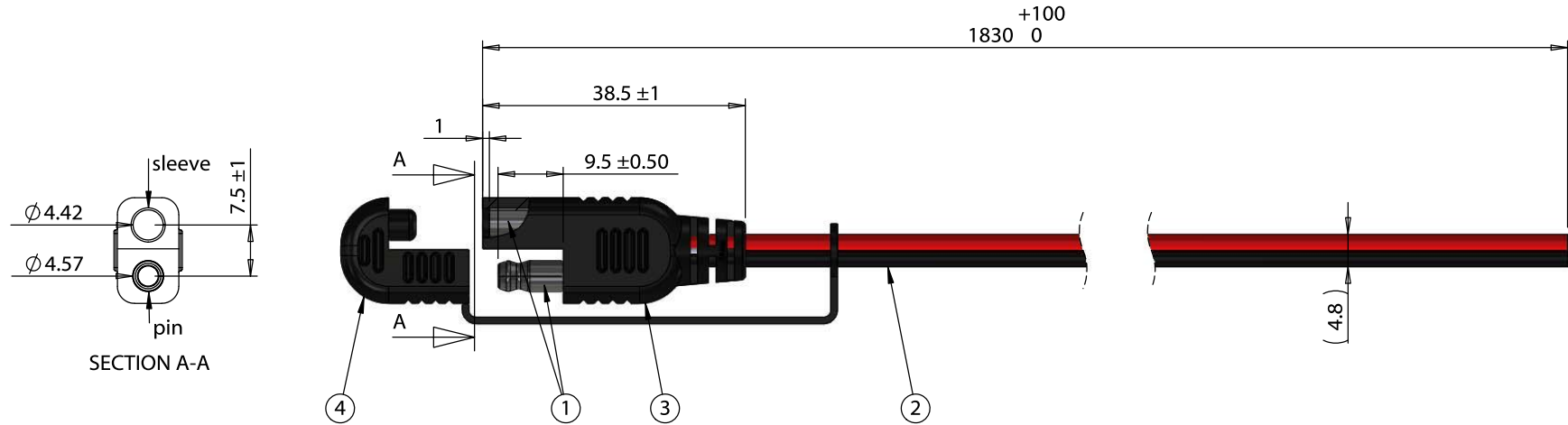


ITEM NO.	PART NUMBER	DESCRIPTION	QTY.	COMPONENT NOTES
1	50-00550	Connector, 4.75x10.2mm SAE, brass nickel plated, molding type	1	
2	30-00792	Wire, 2C TS, 16 AWG, UL2651, 300V, 105C, 4.8 mm, VW-1, PVC, red and black	1	
3	24-00176	Overmold, SAE connector, PVC, black	1	black, 105 °C
4	55-00059	Dust cap, SAE connector, overmold fit	1	black, 105 °C



Notes:
Functionally equivalent components may be substituted

Wiring Diagram	
50-00550	wire color
sleeve	red (+)
pin	black (-)

Revision:	Date:	Description:	Prepared:	Notes:	<h1>TENSILITY</h1> <i>tel</i> 1.541.323.3228 <i>800</i> 877.670.7118 <i>fax</i> 1.541.323.4202 <i>web</i> tensility.com	
A	1/16/2017	Initial release	PS <small>Digitally signed by PS Date: 2017.08.11 13:52:38 -0700</small>			RoHS compliant
			Verified: GL <small>Digitally signed by GL Date: 2017.08.11 14:12:09 -0700</small>			Function test: no open, no short circuit, no intermittent
			Dimensions are in millimeters. Tolerances: X: ± 0.5 mm X.X: ± 0.3 mm X.XX: ± 0.05 mm	Description:	Size:	
				Cable, 1830 mm, 50-00550 SAE to blunt cut, 16 AWG, UL2651, 30-00792, R-B wire, black to SAE pin	A	
					Part number: 10-02409	
					Scale: 1:1	
					Sheet 1 of 1	

5

↑

4

3

2

1