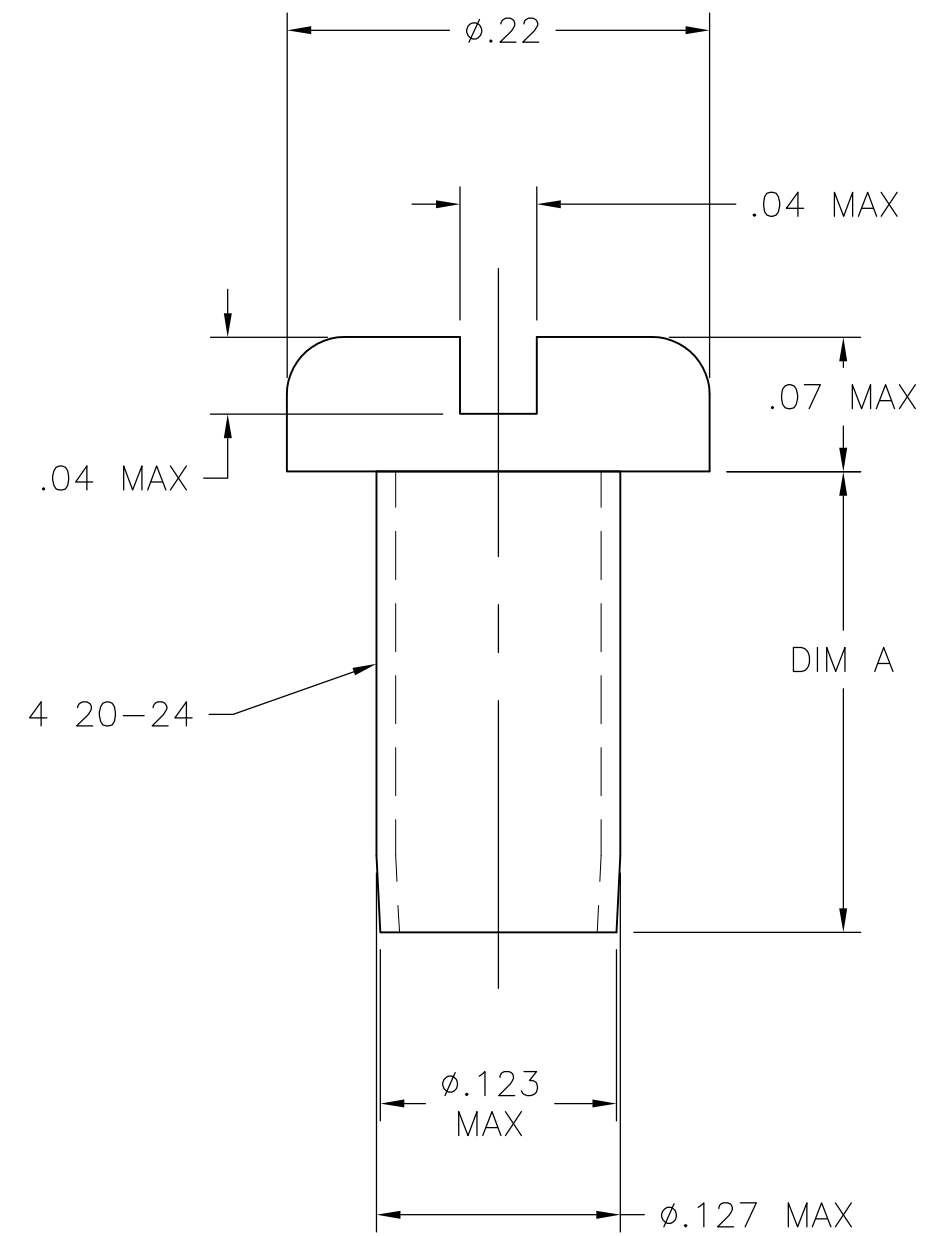



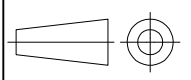
THIS DRAWING IS UNPUBLISHED.      RELEASED FOR PUBLICATION  
 © COPYRIGHT - By -      ALL RIGHTS RESERVED.

LOC	DIST	REVISIONS					
GP	00	P	LTR	DESCRIPTION	DATE	DWN	APVD
		A		PER ECO-12-012349	28MAR13	BL	AC



1. PITCH: 1-2 THREADS MAXIMUM.
2. ALL DIMENSIONS SHOWN ARE FOR REFERENCE ONLY.

	.300	5552820-2
OBSOLETE	.240	5552820-1
	DIM A	PART NUMBER

THIS DRAWING IS A CONTROLLED DOCUMENT.		DWN	B. MCMASTER	17AUG05	 TE Connectivity SCREW, THREAD ROLLING, PAN HEAD			
DIMENSIONS: INCHES		CHK	W. MILLHIMES	17AUG05				
		APVD	M. WALMSLEY	17AUG05				
TOLERANCES UNLESS OTHERWISE SPECIFIED:		PRODUCT SPEC						
MATERIAL: CARBON STEEL		FINISH: ZINC PLATED			APPLICATION SPEC			
		WEIGHT: -			SIZE	CAGE CODE	DRAWING NO	RESTRICTED TO
		CUSTOMER DRAWING			A3	00779	C-5552820	-
					SCALE	SHEET	REV	
					4:1	1 OF 1	A	