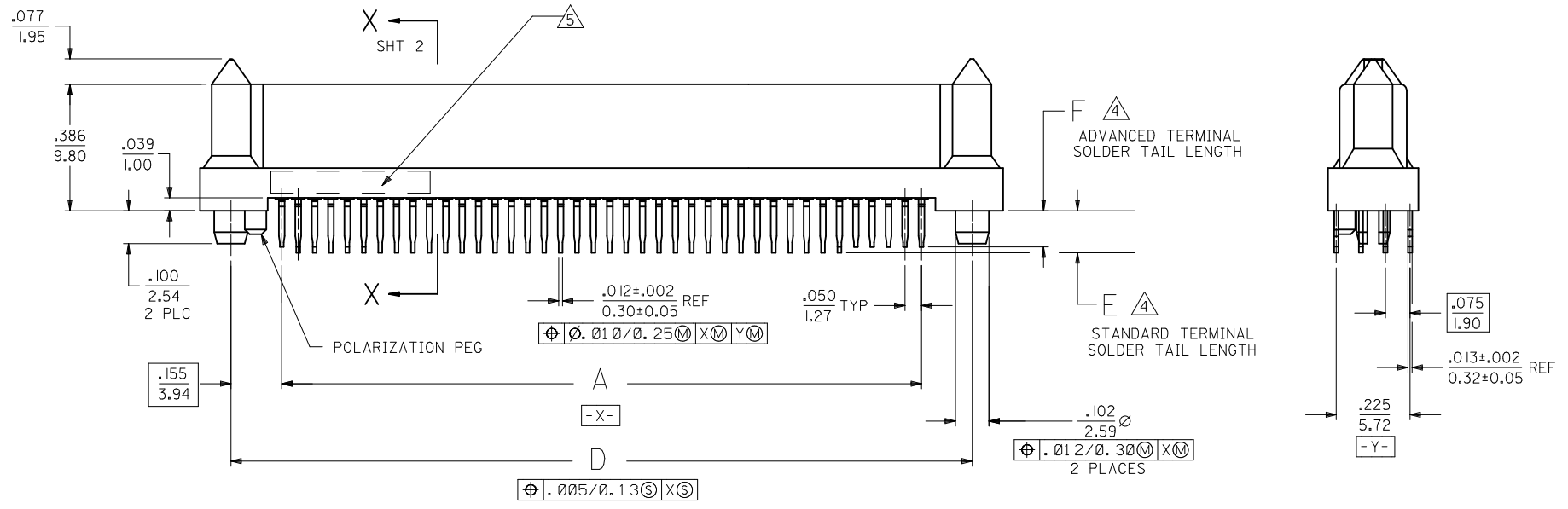
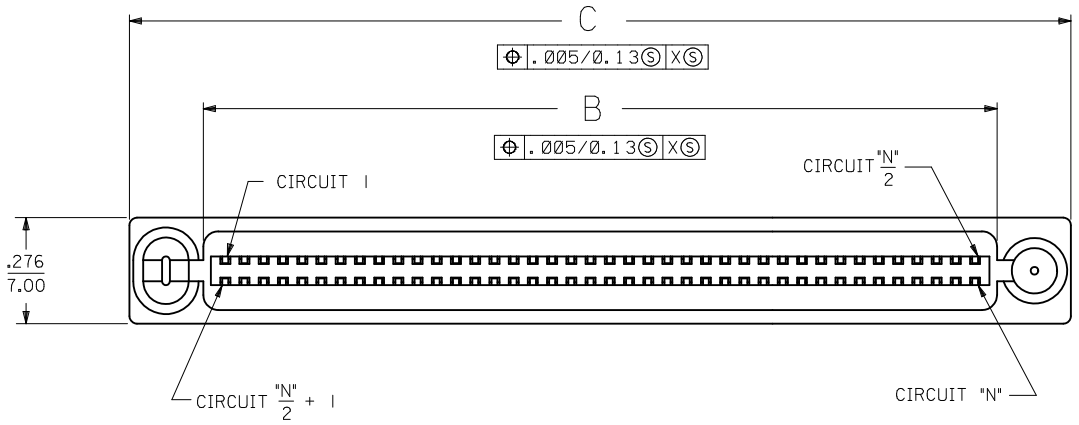


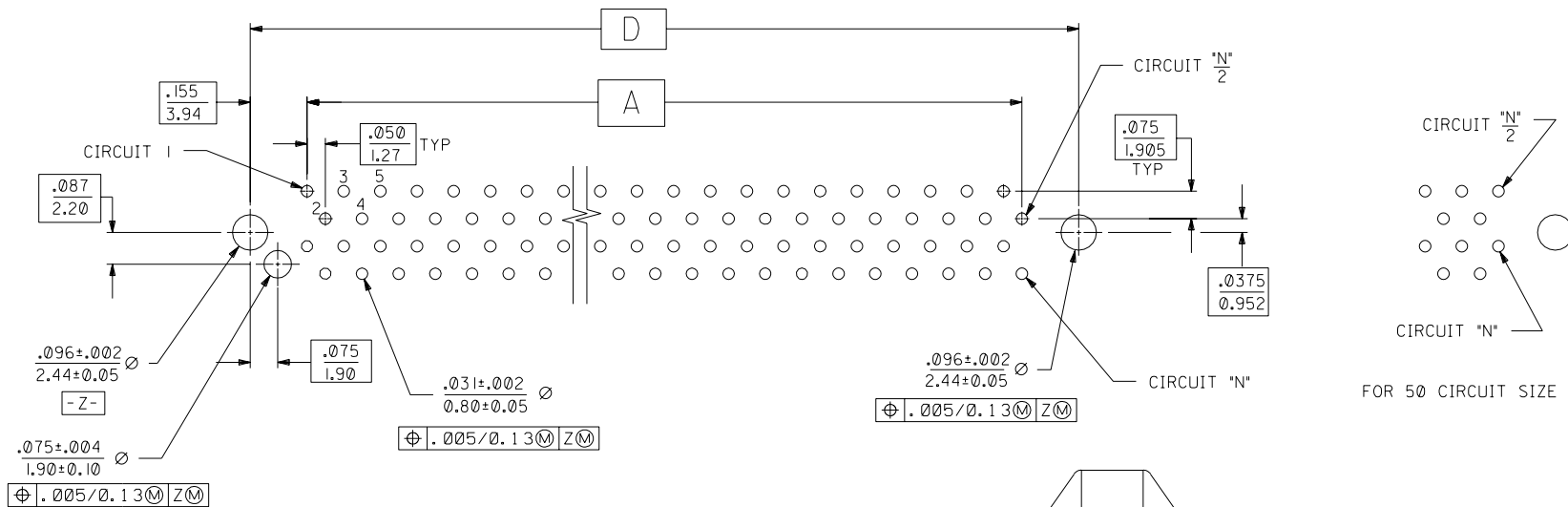
NOTES:

- 1) MATERIALS:
HOUSING- LCP, GLASS FILLED, UL94V-0, BLACK.
TERMINALS- COPPER ALLOY
- 2) FINISHES:
30 MICROINCH (0.72 MICROMETER) MINIMUM GOLD IN THE CONTACT AREA
50 MICROINCH (1.27 MICROMETER) MINIMUM MATTE TIN IN THE TAIL AREA
NICKEL UNDERPLATE OVERALL
- 3 ASSEMBLIES MATE WITH CONNECTORS SHOWN ON MOLEX DRAWING SDA-71661-7***
- 4 SEE TABLE ON SHEET 2 FOR ADVANCED TERMINAL LIST
- 5 FOUR DIGIT DATE CODE (WK YR), EXAMPLE => 26 96
LOCATED IN AREA INDICATED.
- 6 ASSEMBLIES MEET MOLEX PRODUCT SPECIFICATION PS-71660

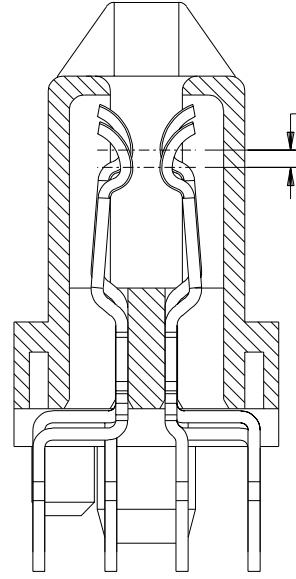


ADD -7502 ASSY EC NO: UCP2011-2137 DRWN:BBARKER 2011/01/18 CHKD:DMORGAN 2011/01/19 APPR:SMILLER 2011/05/09	QUALITY SYMBOLS	GENERAL TOLERANCES (UNLESS SPECIFIED)	DIMENSION STYLE	SCALE	DESIGN UNITS	THIRD ANGLE PROJECTION
	$\nabla = 0$ $\nabla = 0$ $\nabla = 0$	mm INCH 4 PLACES ± --- ± --- 3 PLACES ± --- ± --- 2 PLACES ± --- ± --- 1 PLACE ± --- ± --- ANGULAR ± 1/2°	IN/MM	INCH	INCH	TITLE SALES ASSY, EBBI 50D, VERTCL. BLIND MATE RCPT W/ ADVANCE TERMINALS MOLEX INCORPORATED
	DRAWN BY: BBARKER CHECKED BY: SMILLER DATE: 2011/01/18 DATE: 2011/05/09	APPROVED BY: SMILLER DATE: 2011/05/09	MATERIAL NO. SEE TBL SHT 2	DOCUMENT NO. SDA-71660-75**	SHEET NO. 1 OF 2	
	DRAFT WHERE APPLICABLE MUST REMAIN WITHIN DIMENSIONS	THIS DRAWING CONTAINS INFORMATION THAT IS PROPRIETARY TO MOLEX INCORPORATED AND SHOULD NOT BE USED WITHOUT WRITTEN PERMISSION				

13	12	11	10	9	8	7	6	71660	4	3	2	1
ITEM NUMBER	CIRCUIT SIZE ("N")	A	B	C	D	E ±.010 (±0.25)	F ±.010 (±0.25)	ADVANCED CIRCUITS				
71660-7501	68	1.650 (41.91)	1.765 (44.83)	2.149 (54.58)	1.960 (49.78)	.134 (3.40)	.116 (2.95)	5, 6, 39, 64, 66, 68				
71660-7504	40	.950 (24.13)	1.065 (27.05)	1.449 (36.80)	1.260 (32.00)	.128 (3.25)	.110 (2.79)	1, 2, 3, 18, 19, 20				
71660-7505	50	1.200 (30.48)	1.315 (33.40)	1.699 (43.15)	1.510 (38.35)	.128 (3.25)	.110 (2.79)	1, 2, 3, 23, 24, 25				
71660-7508	80	1.950 (49.53)	2.065 (52.45)	2.449 (62.20)	2.260 (57.40)	.128 (3.25)	.110 (2.79)	1, 36-43, 45, 46, 75-80				



RECOMMENDED PC BOARD LAYOUT
COMPONENT SIDE
FOR 40, 68 AND 80 CIRCUIT SIZES



DIMENSIONS SHOWN (METRIC) INCH UNLESS OTHERWISE SPECIFIED TOLERANCES: ANGULAR ± 1/2°		▽ = 0 ▼ = 0		REVISE ONLY ON CAD SYSTEM	
3 PLACE ± .010	INCH	---	---	TITLE	
2 PLACE ± --- ± 0.25	METRIC	SALES ASSY, EBBI 50D, VERTICAL, BLIND MATE RCPT W/ ADVANCED TERMINALS			
1 PLACE --- ± ---	DRAFT WHERE APPLICABLE MUST REMAIN WITHIN DIMENSIONS		PART NO.		DATE
MOLEX INCORPORATED LITSE, ILL. 60532		SHEET NO. 2		DATE 12 / 6 / 94	
DRWG. BY RAN	CHK'D. BY RAN	FILE NAME 57166075	SDA-71660-75**		DIV. C
APP'D. BY CAB	SCALE 4: 1	THIS DRAWING CONTAINS INFORMATION THAT IS PROPRIETARY TO MOLEX INC. AND SHOULD NOT BE USED WITHOUT WRITTEN PERMISSION.		SIZE C	

I	ADD PART NO'S ECN UDT2002-1289 BBARKER 02/05/10
H	DELETE 50 CKT UDT2001-1091 BSMART 01/04/11
G1	SEE SHEET 1

MFG.	SH.	REV.	LTR.	REVISIONS
------	-----	------	------	-----------