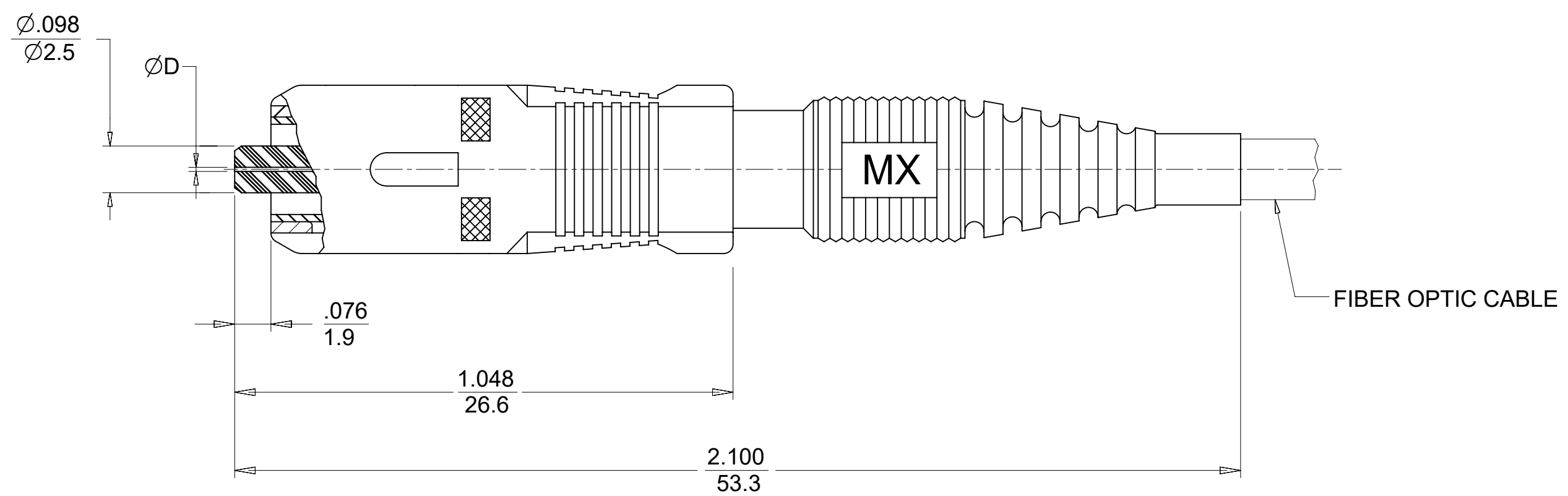
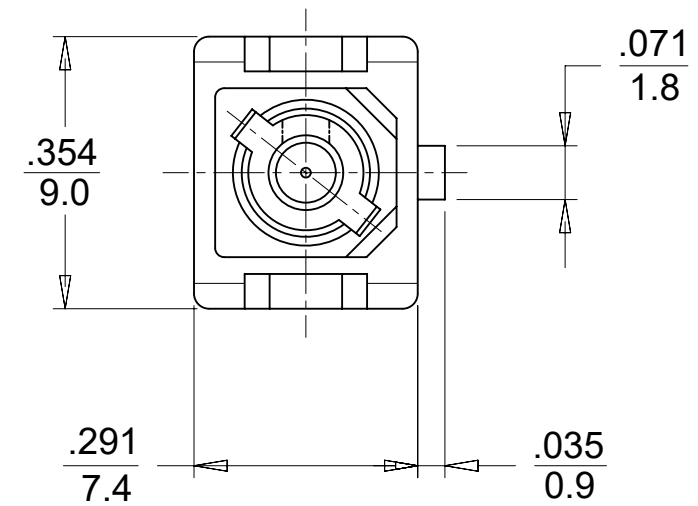


CONNECTOR P/N	∅D (μm)	FERRULE MATERIAL	BOOT COLOR	HOUSING COLOR	CONNECTOR TYPE	CABLE (mm)
106063-0000	127	Zr	BLUE	BLUE	MULTIMODE	3
106063-0060		LOW COST Zr	BEIGE	BEIGE		
106063-0099						
106063-0090 ²						
106063-0070	128	Zr	BLACK	BLACK		
106063-3000			BLUE	BLUE		
106063-3060			BEIGE	BEIGE		
106063-3070			BLACK	BLACK		

CONNECTOR P/N	∅D (μm)	FERRULE MATERIAL	BOOT COLOR	HOUSING COLOR	CONNECTOR TYPE	CABLE (mm)
106063-4000	125	Zr	YELLOW	BLUE	SINGLE MODE	3
106063-4100	125.25		BLACK	BLACK		
106063-4070	125					
106063-5000	126		YELLOW	BLUE		
106063-5070			BLACK	BLACK		
106063-7000	127		YELLOW	BLUE		
106063-7070			BLACK	BLACK		
106063-4300	125		YELLOW	BLUE		2.4
106063-5300	126					3
106063-5099						LOW COST Zr



NOTES:

- 1. ALL DIMENSIONS ARE FOR REFERENCE ONLY.
- ² P/N 106063-0090 BULK PACKED IN QUANTITIES OF 100 PCS.

THIS DRAWING CONTAINS INFORMATION THAT IS PROPRIETARY TO MOLEX ELECTRONIC TECHNOLOGIES, LLC AND SHOULD NOT BE USED WITHOUT WRITTEN PERMISSION									
DIMENSION UNITS IN/MM		SCALE 5:1		CURRENT REV DESC: REMOVED OBSOLETE PART NUMBER AS PER PCN#512063.				molex	
GENERAL TOLERANCES (UNLESS SPECIFIED)				EC NO: 713759		2022/08/25			
4 PLACES ±		±		DRWN: SANTHN		2022/10/07		SC CONNECTOR (ONE PIECE DESIGN)	
3 PLACES ±		±		CHK'D: GB		2022/10/07			
2 PLACES ±		±		APPR: GB		2022/10/07		PRODUCT CUSTOMER DRAWING	
1 PLACE ±		±		INITIAL REVISION:					
0 PLACES ±		±		DRWN: RPACIFICI		2005/12/22		DOCUMENT NUMBER	
ANGULAR TOL ± 0.5 °		THIRD ANGLE PROJECTION		DRAWING		SERIES		MATERIAL NUMBER	
DRAFT WHERE APPLICABLE MUST REMAIN WITHIN DIMENSIONS		THIRD ANGLE PROJECTION		DRAWING		SERIES		CUSTOMER	
		C-SIZE		106063		SEE TABLE		GENERAL MARKET	
								SHEET NUMBER	
								1 OF 1	