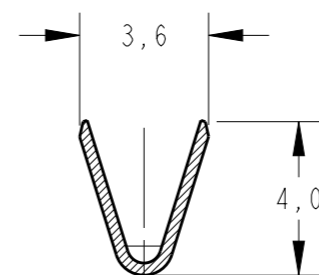
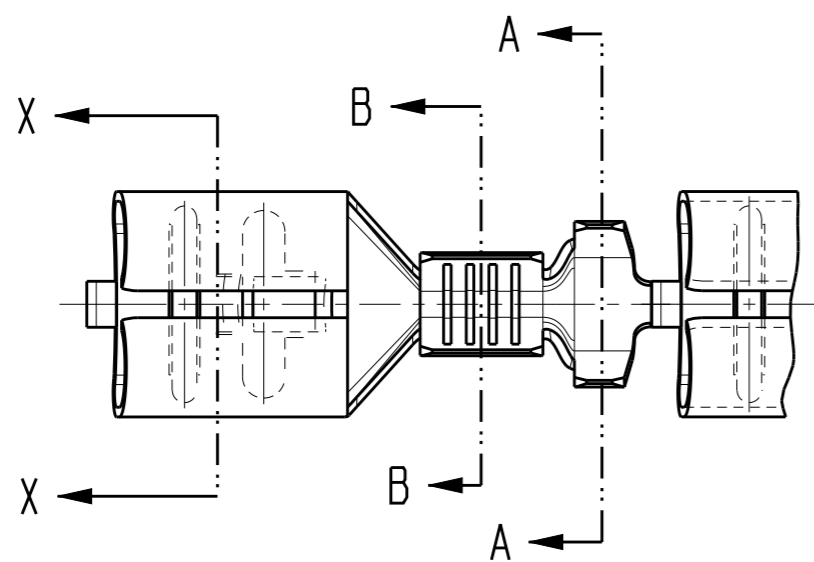


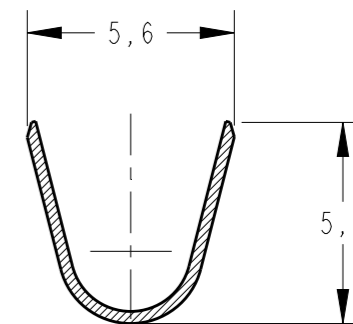
LOC AP DIST -

REVISIONS

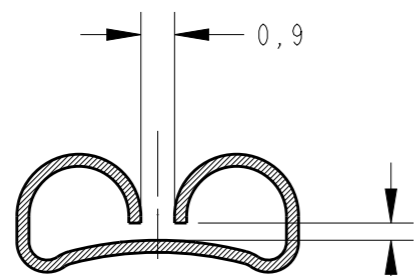
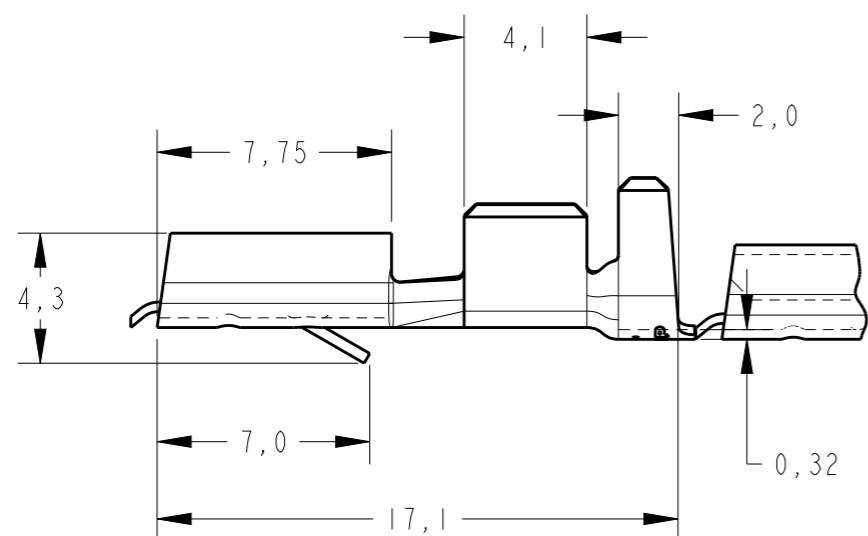
P	LTR	DESCRIPTION	DATE	DWN	APVD
F3		REDRAW BY CAD ECO-12-014149	27AUG2012	NCL	DAO
F4		REVISED BY ECO 16-003725	23JUN2016	HC	WLS



SECTION B-B
SCALE 5:1

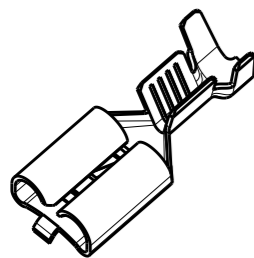


SECTION A-A
SCALE 5:1



SECTION X-X
SCALE 5:1

PARA LINGUETA DE 0,8mm ESPESSURA FOR 0,8mm TAB



PERSPECTIVE VIEW
SCALE 2:1

OBSOLETE	PLATEADO/SILVER PLATED	BRONZE FOSF./PHOSP BRONZE	735222 -6
OBSOLETE	PLATEADO/SILVER PLATED	LATÃO / BRASS	735222 -5
OBSOLETE	ESTANHADO / TIN PLATED	BRONZE FOSF./PHOSP BRONZE	735222 -4
OBSOLETE		BRONZE FOSF./PHOSP BRONZE	735222 -3
	ESTANHADO / TIN PLATED	LATÃO / BRASS	735222 -2
		LATÃO / BRASS	735222 -1
	FINISH	MATERIAL	PART NUMBER

INS. RANGE	WIRE RANGE
Ø 3,0-4,3mm	1,0-2,5mm ²

THIS DRAWING IS A CONTROLLED DOCUMENT.

DWN NCLAPRESA 13JUL2012
CHK JRGOLDSCHMIDT 13JUL2012
APVD DAOLIVEIRA 13JUL2012

NAME -
PRODUCT SPEC 108-37015
APPLICATION SPEC 114-18022
WEIGHT -

STE TE Connectivity

TERMINAL FASTIN-FASTON.250 RECEPT

SIZE A3 CAGE CODE 00779 DRAWING NO C-735222 RESTRICTED TO -

Customer Drawing SCALE - SHEET 1 OF 1 REV F4