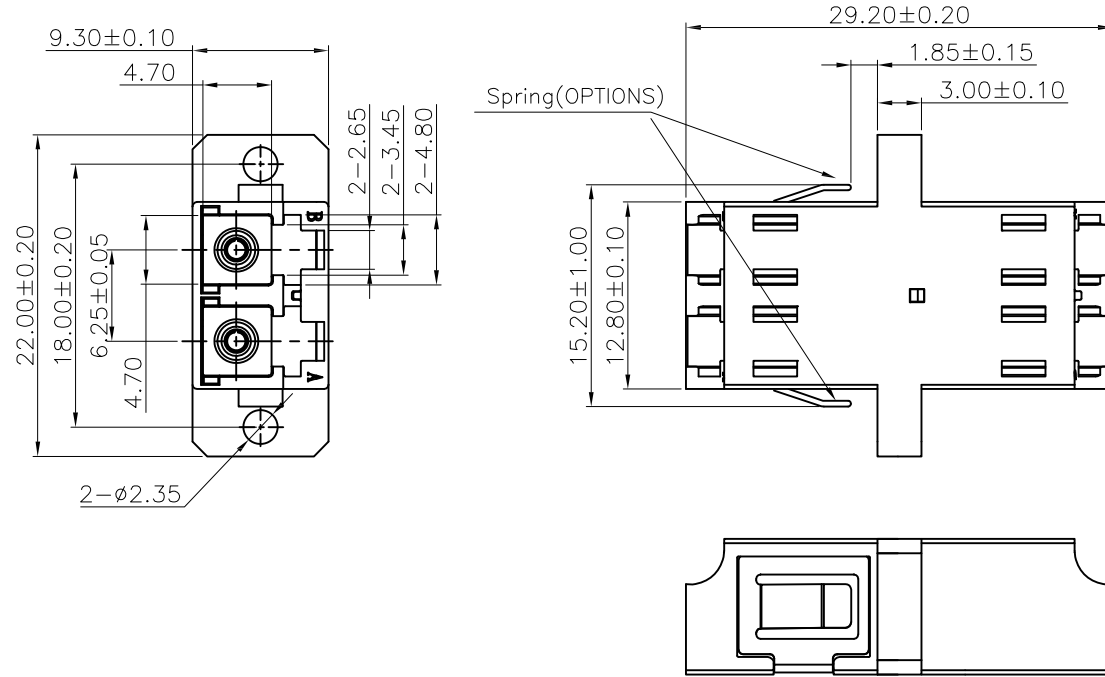
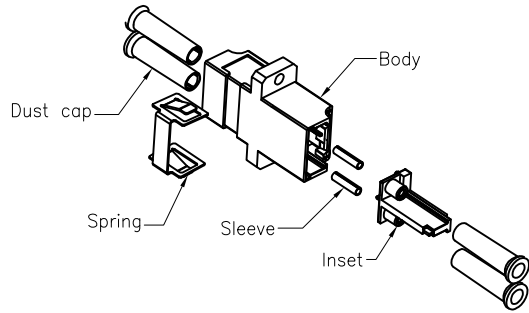


APPROVED: \_\_\_\_\_  
 DATE: \_\_\_\_\_ TITLE: \_\_\_\_\_

Rev	AWO #	Description	Date	Appr
-		RELEASED	9/14/20	



**SPECIFICATIONS:**

Material:  
 Housing: PBT, rated UL 94V-0, Color: See Chart  
 Cap: PP, rated UL 94V-0, Color: White  
 Spring: SUS  
 Sleeve: Zirconia Ceramic  
 Electrical:  
 Standards of IEC 61754-20, YD/T 1272.1-2003  
 Repeatability: 1000 min times  
 Insertion loss: 0.2dB max  
 Interchangeability: 0.2dB  
 Temperature Rating:  
 Operating temperature: -40°C to +85°C  
 Environmental:  
 Lead free, RoHS compliant.



OPLC2ANNC1NA	PBT Beige 7501U	W/O
OPLA2ANNC1NA	PBT Green 7737C	W/O
OPLB2ANNC1NA	PBT Blue 2184C	W/O
OPLC2ANNC1PA	PBT Beige 7501U	W/
OPLA2ANNC1PA	PBT Green 7737C	W/
OPLB2ANNC1PA	PBT Blue 2184C	W/
Part name	Material, Color	EMI

UNLESS OTHERWISE SPECIFIED  
 ALL DIMENSIONS ARE MILLIMETERS  
 TOLERANCES: EXCEPT AS NOTED  
 MM ANGLE  
 X. ± 0.35 X.\* ± 2°  
 .X ± 0.30 .X\* ± 1°  
 .XX ± 0.25 .XX\* ± 0.5°  
 .XXX ± 0.15 .XXX\* ± 0.5°

**ADAM TECH**  
**INTERCONNECTS**  
 909 Rahway Avenue,  
 Union, NJ 07083  
 Phone: 908-687-5000  
 Fax: 908-687-5710

APPROVALS		DATE
DRAWN	OW	9/14/20
CHECKED	JL	9/14/20
APPROVED		

TITLE OPTICAL LC ADAPTERS, APC&PC&MM, 2 PORTS LONG EARS, WITH LC DUST CAP		
SIZE X	PART NO. OPLX2ANNC1XA	REV. -
REF: S00005C	SCALE: NTS	SHEET 1 OF 1