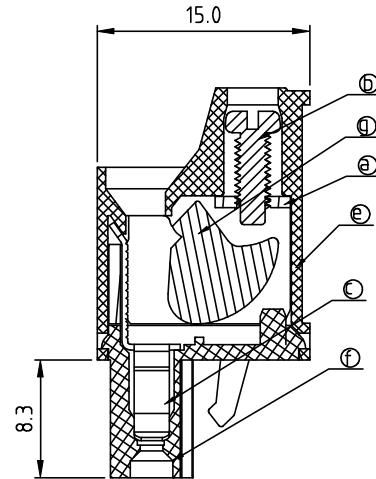
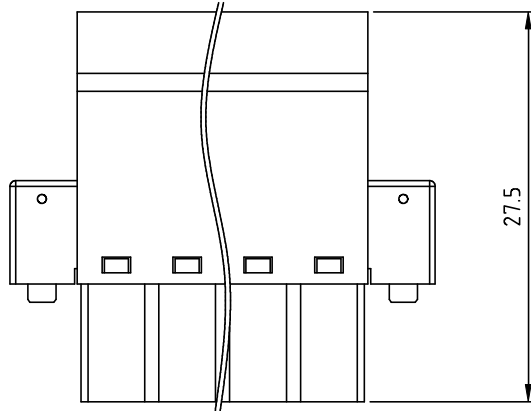
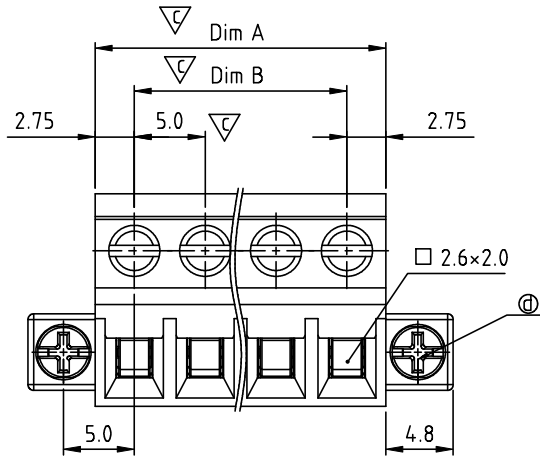


VM xx 7 5 x 2 xxxx G \triangle

POLES
 02 2pole
 03 3pole
 ...
 24 24pole

Color
 0 Black (RAL9005)
 2 Red (RAL3001/D)
 3 Orange(RAL2011/P)
 4 Yellow(RAL1018/A)
 5 Green(RAL6018/T)
 6 Blue (RAL5015/A)
 8 Grey(RAL7035/D)
 9 White(RAL1102)
 C Green(RAL6018/U)

\triangle G RoHS compliant
 (lead<4%)
 In copper Alloy
 0000: Standard
 (Steel screw plating Cr³⁺)
 000A: "ANYTEK" Mark
 Any special item by
 customer request.
 please contact sales
 department.



SIGN	DATE	DESCRIPTION	APPROVER
\triangle	02/07'06	Part No. changed	Tony
\triangle	8/16'06	Added TUV standard	Tony
\triangle	12/02'08	Flange screw changed from "-" to "+/-"	Tony
\triangle	2010.03.23	Add the 2p mark	Jacke
\triangle	05/11-16	Update the drawing	Evan

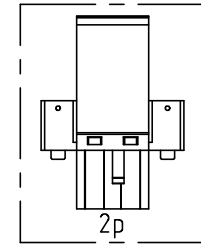
THIS IS CAD DRAWING, DO NOT REVISE MANUALLY!!!

Material

- Item ① Clamp: Steel zinc plated.
- Item ② Terminal screw: Steel Zinc plating "-" slot type
- \triangle ● Item ③ Female contact: PhBz Bright Tin plated over Nickel plated
- \triangle ● Item ④ With flange screw: Steel zinc plated M2.5 "+/-" slot type
- Item ⑤ Terminal (Up body): Thermoplastic (UL94V-0)
- Item ⑥ Terminal (Down body): Thermoplastic (UL94V-0)
- Item ⑦ Clampage: Steel Zinc plated

Electrical cULus / TUV

- Voltage rating: 300VAC/300VAC
- Current rating: 20A/20A
- Wire range: 0.34-2.5mm²
- Solid wire(AWG): 12-22
- Stranded wire(AWG): 12-22
- Torque: 3.5Lb-In / 0.4Nm
- Screw: M2.5
- Wire strip length: 6-7mm
- Withstanding Voltage: 1.6KV/2.5KV
- \triangle ● Operating temperature: -40°C to +115°C
- Safety approval: cULus \triangle TUV
- Critical dimension: ∇



\triangle \triangle

POLE		2	3	4	5	6	7	8	9	10	11	12
Dim A		10.50	15.50	20.50	25.50	30.50	35.50	40.50	45.50	50.50	55.50	60.50
Dim B		5.00	10.00	15.00	20.00	25.00	30.00	35.00	40.00	45.00	50.00	55.00
Tol.		±0.20					±0.25					
POLE	13	14	15	16	17	18	19	20	21	22	23	24
Dim A	65.50	70.50	75.50	80.50	85.50	90.50	95.50	100.50	105.50	110.50	115.50	120.50
Dim B	60.00	65.00	70.00	75.00	80.00	85.00	90.00	95.00	100.00	105.00	110.00	115.00
Tol.		±0.30					±0.40					

ANYTEK

CUSTOMER COPY

ALL RIGHTS RESERVED. REPRODUCTION OR ISSUE TO THIRD PARTIES IN ANY FORM WHATSOEVER IS NOT PERMITTED WITHOUT WRITTEN AUTHORITY FROM THE PROPRIETOR. PROPERTY OF ANYTEK TECHNOLOGY CO., LTD

TITLE	VM 5.0mm W/Flange Series												
PART NO.	VMxx75x2xxxxG						DWG NO.	BVM0002					
APPROVED	CHECKED	DESIGNED	DRAWN	CUST NO.		Tolerance							
		Evan	Jacke			UNIT: mm		X. ±0.50					
		05/11-16	2010.03.23			SCALE: NONE		X.X ±0.30					
						SHEET: 01/01		X.XX ±0.10					
						REV.: G		X° ±1°					